

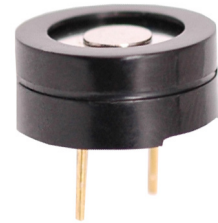



**THE DATASHEET OF
CSQ-601BP**



MODEL: CSQ-601BP | **DESCRIPTION:** MAGNETIC BUZZER TRANSDUCER**FEATURES**

- through hole
- 70 dB
- externally driven

**SPECIFICATIONS**

parameter	conditions/description	min	typ	max	units
rated voltage	V_{o-p} 		1.5		V_{o-p}
operating voltage		1.0		2.0	V_{o-p}
current consumption	at rated voltage, 2,048 Hz square wave, ½ duty			35	mA
rated frequency			2,048		Hz
sound pressure level	at 10 cm (A-weight), rated voltage, 2,048 Hz square wave, ½ duty	70	76		dBA
coil resistance		13.6	16.0	18.4	Ω
dimensions	$\varnothing 12.0 \times 5.5$				mm
weight			1.2		g
material	PPD				
terminal	pin type (Au plating)				
operating temperature		-20		60	$^{\circ}\text{C}$
storage temperature		-30		70	$^{\circ}\text{C}$
RoHS	yes				

Notes: 1. All specifications measured at 5-35 $^{\circ}\text{C}$, humidity at 45-85%, under 86-106kPa pressure, unless otherwise noted.

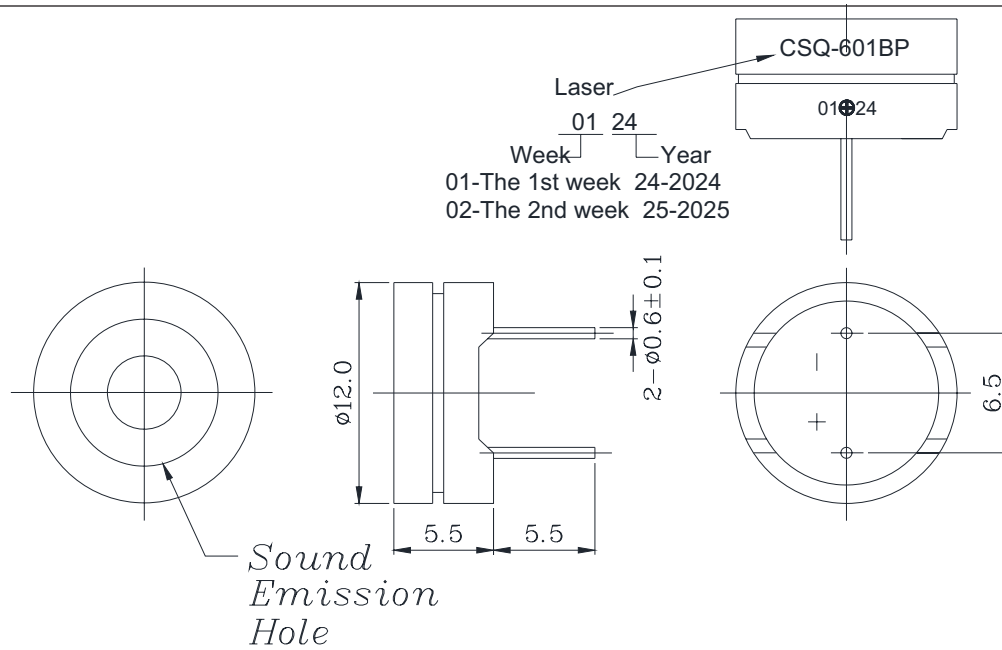
SOLDERABILITY

parameter	conditions/description	min	typ	max	units
hand soldering ²	for maximum 2 seconds	330		380	$^{\circ}\text{C}$

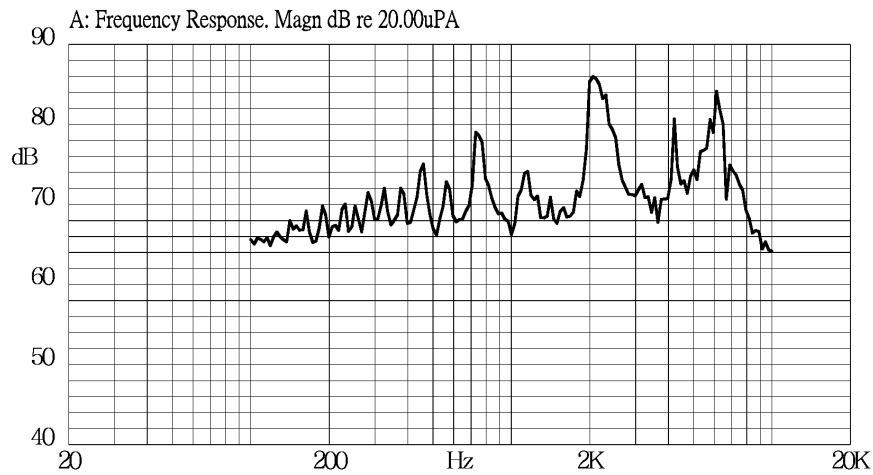
Notes: 2. Not recommended for wave soldering

MECHANICAL DRAWING

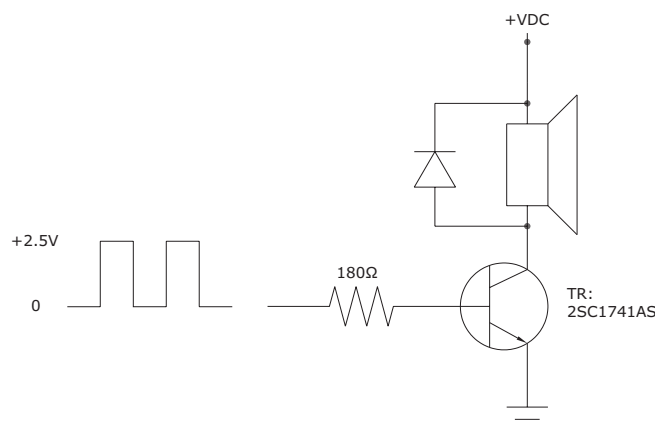
units: mm
tolerance: ±0.5 mm



FREQUENCY RESPONSE CURVE



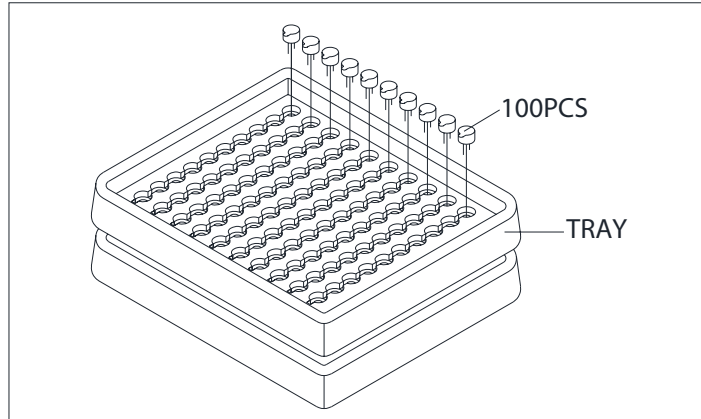
MEASUREMENT METHOD



PACKAGING

units: mm

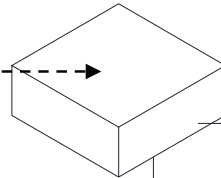
Tray Size: 184 x 184 x 23 mm
 Carton Size: 440 x 400 x 310 mm
 Tray QTY: 100 pcs per tray
 Carton QTY: 6,000 pcs per carton



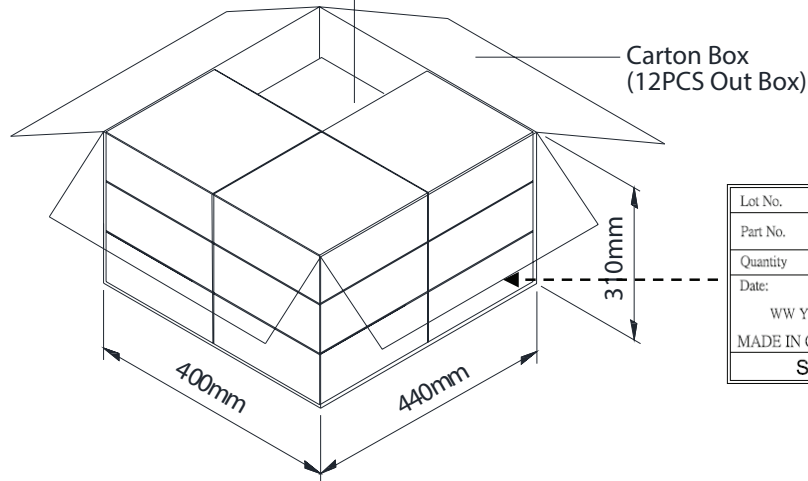
Lot No.	XXXXXXXXXX
Part No.	Inv#. XXXXXXXXX Part#. XXXXXXXXX
Quantity	XXXX Pcs
Date:	WW YY
MADE IN CHINA	
Same Sky	

RoHS Compliant

(1P)Same Sky Catalog#: XXXXXXXXX
 (Q)Quantity: XXXX (4L)COO:CN
 (TT)Lot Number: XXXXXXXXX
 (10D)Date Code: XXXX
 RoHS compliant



Out Box
(5PCS Tray)



Carton Box
(12PCS Out Box)

Lot No.	XXXXXXXXXX
Part No.	Inv#. XXXXXXXXX Part#. XXXXXXXXX
Quantity	XXXX Pcs
Date:	WW YY
MADE IN CHINA	
Same Sky	

RoHS Compliant

REVISION HISTORY

rev.	description	date
1.0	initial release	01/26/2006
1.01	updated datasheet	07/31/2019
1.02	brand update	03/16/2020
1.03	logo, datasheet style update	08/05/2022
1.04	CUI Devices rebranded to Same Sky	09/11/2024
1.05	changed to laser print marking	02/18/2025

The revision history provided is for informational purposes only and is believed to be accurate.



Same Sky offers a one (1) year limited warranty. Complete warranty information is listed on our website.



Same Sky reserves the right to make changes to the product at any time without notice. Information provided by Same Sky is believed to be accurate and reliable. However, no responsibility is assumed by Same Sky for its use, nor for any infringements of patents or other rights of third parties which may result from its use.

Same Sky products are not authorized or warranted for use as critical components in equipment that requires an extremely high level of reliability. A critical component is any component of a life support device or system whose failure to perform can be reasonably expected to cause the failure of the life support device or system, or to affect its safety or effectiveness.

[sameskydevices.com](https://www.sameskydevices.com)

Looking for pricing, stock, or lifecycle information?

Click below to explore more details on WIN SOURCE:

-  [View CSQ-601BP on WIN SOURCE](#)
-  [Same Sky Information](#)

Optimize Your Supply Chain with WIN SOURCE Solutions

-  Global Sourcing Solution
-  Obsolete Management
-  Cost Control Management
-  Shortage Management
-  Alternative Solution
-  Excess Inventory Management