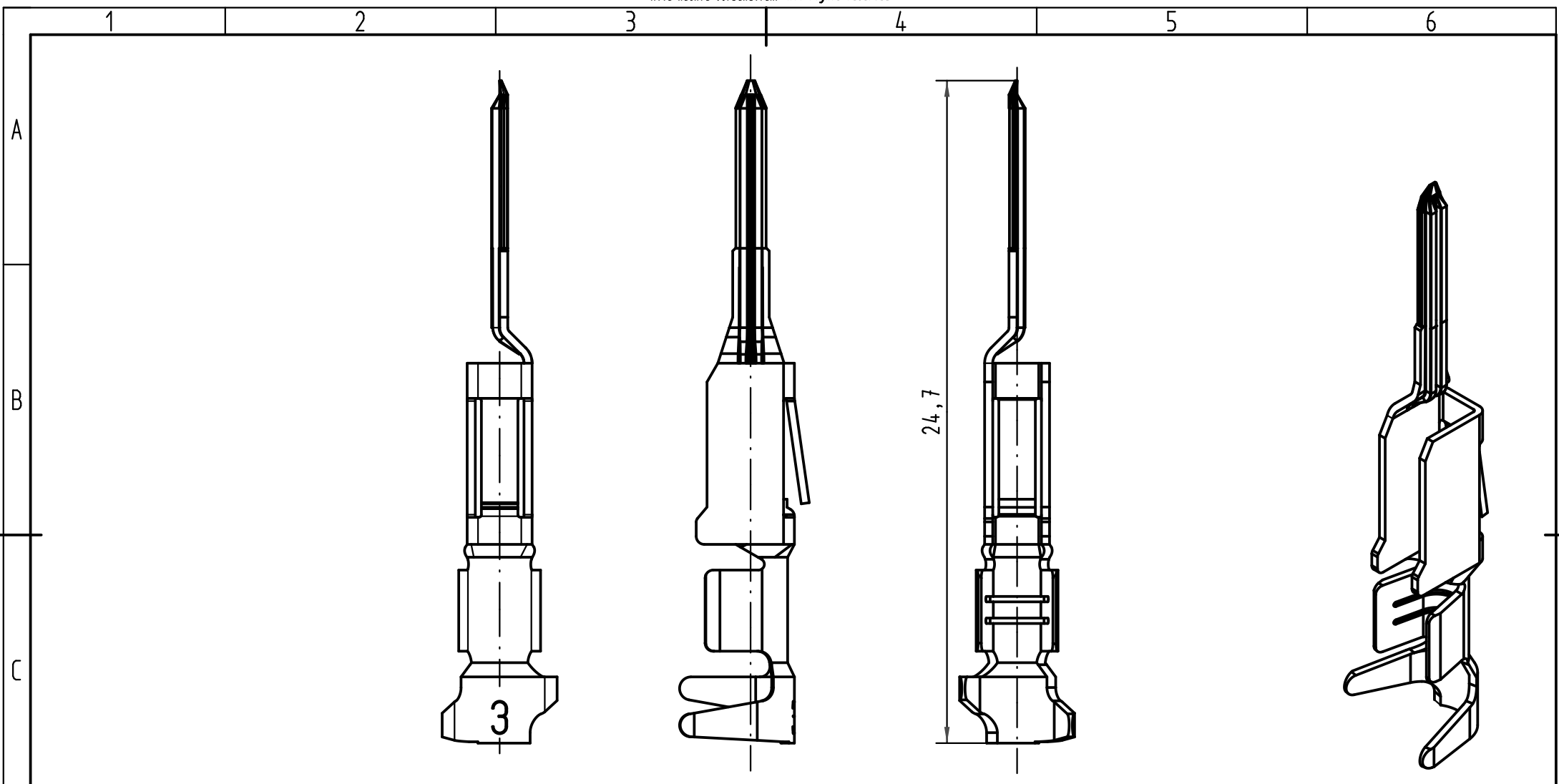




THE DATASHEET OF
09060009572





All Dimensions in mm Original Size DIN A 4		Techn. Character.		Nicht tolerierte Maß/Free size tolerances complementary IEC 60603-2	
			Dat.	Name	Bauform/type F-C crimp Messerkontakt Crimpkontur 3 für 0,5 - 1,5mm ² Einzelkontakt Afs. 2 male contact crimp contour 3 for 0,5 - 1,5mm ² sigle contact pl. 2
		Detail.	16.01.06	Leh.	
		Insp.	16.01.06	kfoe	
		Stand.			
35449	24.11.08	Hage.	HARTING Electronics GmbH & Co. KG		TB 09 06 000 9572
33227			D-32339 ESPELKAMP		
Mod.	Dat.	Name			
Sub.					Blatt/ page

Looking for pricing, stock, or lifecycle information?

Click below to explore more details on WIN SOURCE:

 [View 09060009572 on WIN SOURCE](#)

 [HARTING](#) Information

Optimize Your Supply Chain with WIN SOURCE Solutions

-  Global Sourcing Solution
-  Obsolete Management
-  Cost Control Management
-  Shortage Management
-  Alternative Solution
-  Excess Inventory Management