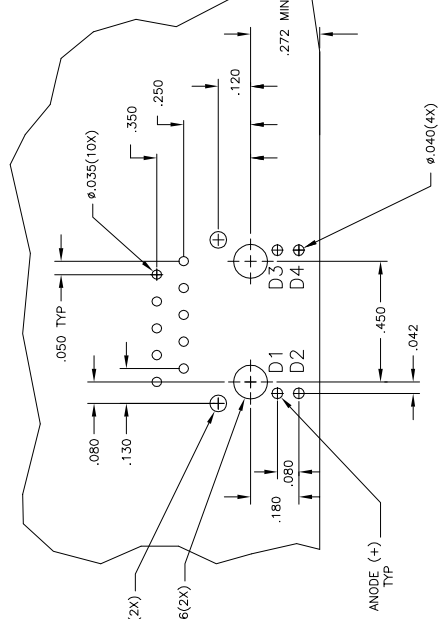
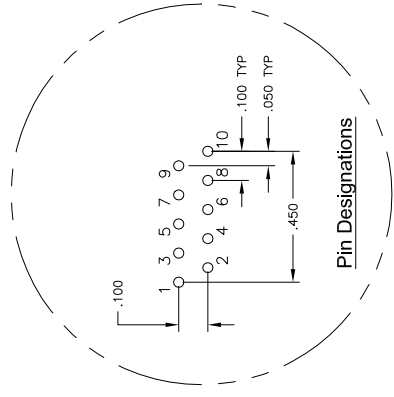
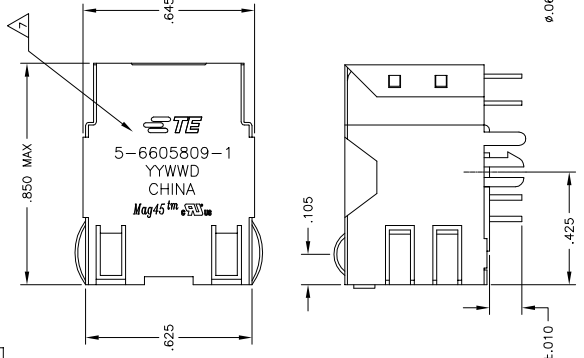
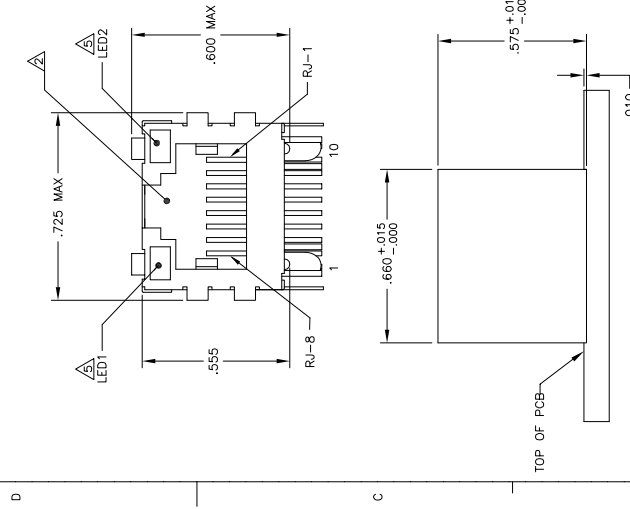




THE DATASHEET OF
5-6605809-5

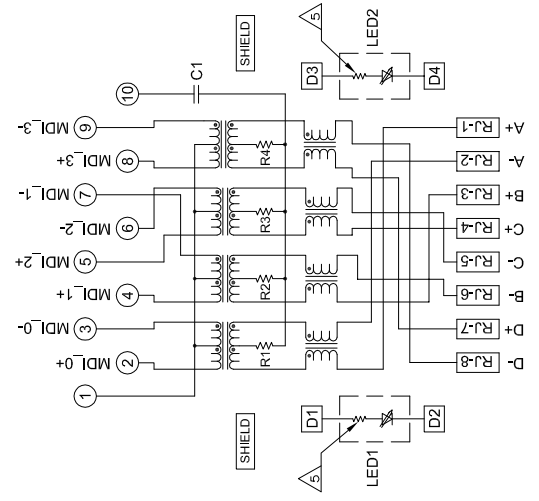


MECHANICAL:



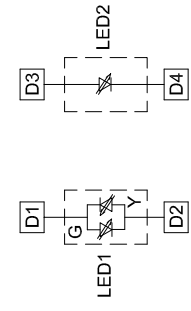
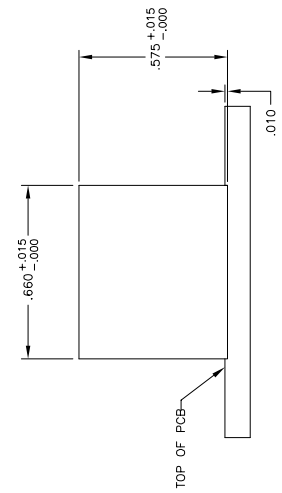
Suggested PCB Layout
 (Component Side)

7G01 GIGABIT MAGNETIC CIRCUIT



C1=1000pF, 2kV CAPACITOR
 R1-R4 = 75 OHMS, 1/16 W RESISTORS

Suggested Panel Cutout



LED CONFIGURATION
 FOR 5-6605809-5 ONLY

Looking for pricing, stock, or lifecycle information?

Click below to explore more details on WIN SOURCE:

 [View 5-6605809-5 on WIN SOURCE](#)

 [TE Connectivity](#) Information

Optimize Your Supply Chain with WIN SOURCE Solutions

-  Global Sourcing Solution
-  Obsolete Management
-  Cost Control Management
-  Shortage Management
-  Alternative Solution
-  Excess Inventory Management