



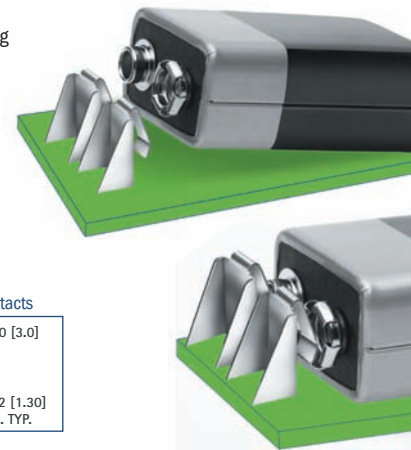
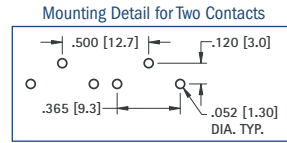
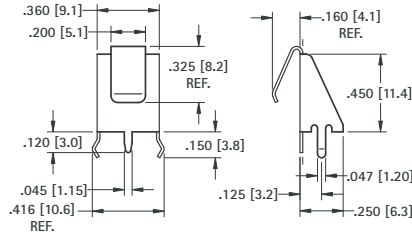
THE DATASHEET OF
635



HORIZONTAL 9 VOLT PC LEAF-SPRING CONTACT

- Ideal "Slide-In" contact for easy installation and removal of 9 Volt batteries
- Space saving design installs directly onto the PC board
- Suitable for .062 (1.57) to .093 (2.36) thick PC boards
- Reliable leaf-spring assures low contact resistance
- Ideal for self-contained battery compartments
- Snap-in mounting legs holds contact secure during wave soldering

MATERIAL: .012 (.30) Spring Steel, Tin-Nickel Plate



CAT. NO. 590

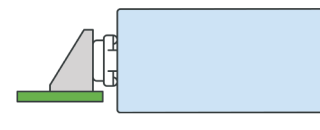
HORIZONTAL 9 VOLT PC SNAP-ON CONTACTS

Mounts Directly to Printed Circuit Board

- Space saving design installs directly onto the PC board
- Suitable for .062 (1.57) to .093 (2.36) thick PC boards
- Ideal for self-contained battery compartments



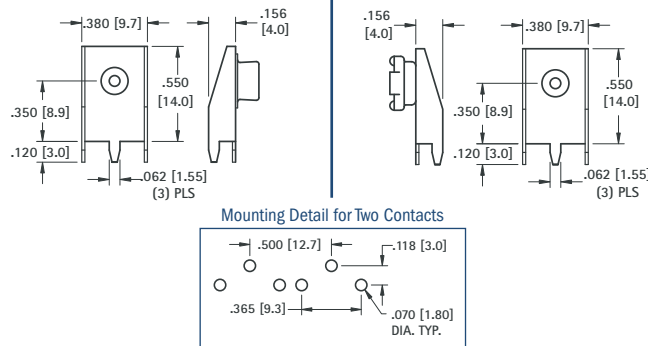
To Mount Battery "On" PC Board
Use Cat. No. 593 and Cat. No. 594



To Mount Battery "Off" PC Board
Use Cat. No. 635 and Cat. No. 636

MATERIAL: Frame: .015 (.38) Steel, Tin Plate; **Contacts:** Steel, Nickel Plate

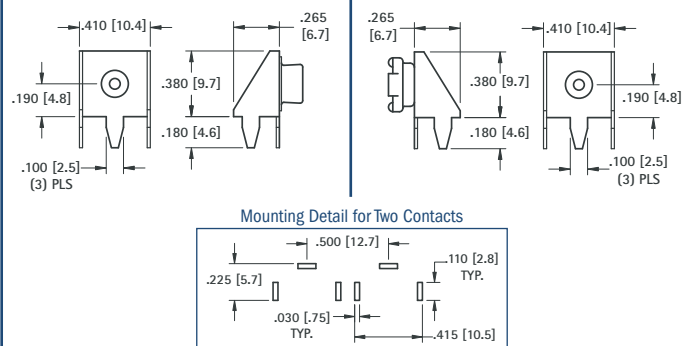
"On-Board"



CAT. NO. 593 (Male)

CAT. NO. 594 (Female)

"Off-Board"



CAT. NO. 635 (Male)

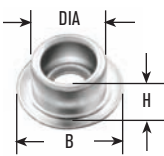
CAT. NO. 636 (Female)

BATTERY SNAP-ONS

For most electronic applications requiring a quick connect and disconnect of circuit. Commonly used with 9 Volt or other batteries designed with snap fasteners. Ideal for temporary or permanent means of connecting without soldering. Can be cascaded together for multiple connections.

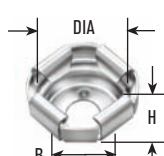
SOCKET OR STUD ONLY

FIG. 1



Stud only

FIG. 2



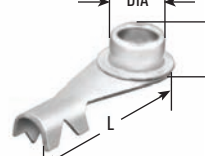
Socket only

CAT. NO.	FIG. NO.	DIA	H	B	HOLE	SIZE	MATERIAL
261*	1	.224 (5.7)	.135 (3.4)	.312 (7.9)	.097 (2.5)	Junior*	Steel, Nickel Plate
269*	2	.210 (5.3)	.150 (3.8)	.250 (6.4)	.096 (2.4)	Junior*	Steel, Nickel Plate
262	1	.283 (7.2)	.143 (3.6)	.423 (10.7)	.125 (3.2)	Senior	Brass, Nickel Plate
270	2	.261 (6.6)	.145 (3.7)	.312 (7.9)	.125 (3.2)	Senior	Brass, Nickel Plate

*Use Jr. Socket and stud for standard 9 Volt Battery

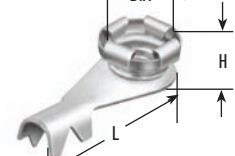
SOCKET OR STUD W/ CRIMP LUG

FIG. 3



Stud w/ Crimp Lug

FIG. 4



Socket w/ Crimp Lug



CAT. NO.	FIG. NO.	DIA	H	L	SIZE	MATERIAL
263*	3	.225 (5.7)	.170 (4.3)	.790 (20.1)	Junior	Stud: Steel, Nickel Plate Lug: Brass, Tin Plate
271*	4	.205 (5.2)	.200 (5.1)	.790 (20.1)	Junior	Stud: Steel, Nickel Plate Lug: Brass, Tin Plate
264	3	.283 (7.2)	.185 (4.7)	.840 (21.3)	Senior	Stud: Brass, Nickel Plate Lug: Brass, Tin Plate
272	4	.265 (6.7)	.185 (4.7)	.835 (21.2)	Senior	Stud: Brass, Nickel Plate Lug: Brass, Tin Plate

*Use Jr. Socket and stud for standard 9 Volt Battery

DIMENSIONS ARE FOR REFERENCE ONLY

Looking for pricing, stock, or lifecycle information?

Click below to explore more details on WIN SOURCE:

-  [View 635](#) on WIN SOURCE
-  [Keystone Electronics](#) Information

Optimize Your Supply Chain with WIN SOURCE Solutions

-  Global Sourcing Solution
-  Obsolete Management
-  Cost Control Management
-  Shortage Management
-  Alternative Solution
-  Excess Inventory Management