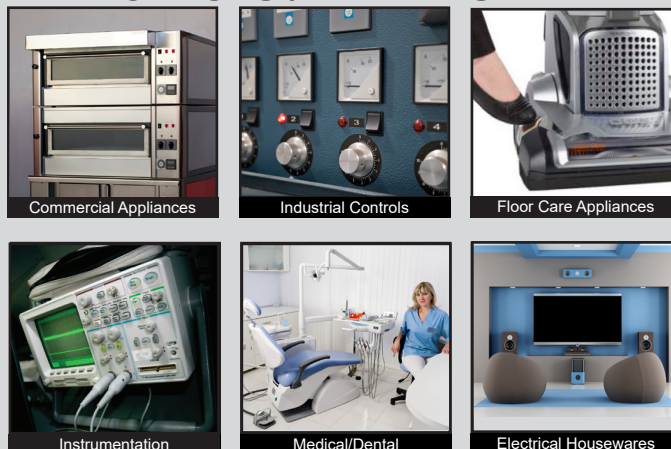


RBW2 SERIES ROCKER SWITCH

ANTI-VANDAL SWITCHES
 DETECTOR SWITCHES
 DIP SWITCHES
 KEYLOCK SWITCHES
 NAVIGATION SWITCHES
 PUSHBUTTON SWITCHES
ROCKER SWITCHES
 ROTARY SWITCHES
 SLIDE SWITCHES
 SNAP ACTION SWITCHES
 TACTILE SWITCHES
 TOGGLE SWITCHES
 CAP OPTIONS



APPLICATIONS / MARKETS



RoHS

SPECIFICATIONS

Electrical Rating: 16(16)A 125VAC 5E4 T85 [cURus]
 1/3HP 125VAC IP66 [cURus],
 10(10)A 250VAC [VDE]

Electrical Life: 50,000 Cycles
Mechanical Life: 50,000 Cycles
Contact Resistance: <30mΩ Max.
Insulation Resistance: 500MΩ Min. at 500VDC
Dielectric Strength: 1,000VAC for 1 Minute
Operating Temperature: -20°C to 85°C
Ingress Protection: IP66
Panel Cutout: 22mm x 30mm
Function: DPST, Off-On DPDT, On-On

FEATURES & BENEFITS

- Full illumination options available
- Approved under new UL 61058-1 rating
- UL approved up to 1/3HP
- VDE approved up to 10A
- Internally sealed to an IP66 rating using patented technology (Patent No.: US 7,872,205 B2)

PART NUMBER CONFIGURATOR

Series	Circuit	Body Color	Actuator Color	Marking	Termination	Lamp Voltage
<input type="text" value="RBW2"/>	<input type="text" value="A"/>	<input type="text" value="BLK"/>	<input type="text" value="BLK"/>	<input type="text" value="E"/>	<input type="text" value="F"/>	<input type="text" value="0"/>
RBW2	A - Off-On (DPST) *B - On-On (DPDT)	BLK - Black	BLK - Black RED - Red RIL - Red Full Illumin. GIL - Green Full Illumin.	E - No Marking A - Dot D - I/II Vertical F - I/O Vertical G - I/O Horizontal I - On/Off Vertical	F - 6.3mm Tab	0 - No Lamp 1 - 125VAC Neon 2 - 250VAC Neon

* Not available with Illumination

Specifications subject to change without notice 6.11.2024



E-SWITCH®

www.e-switch.com

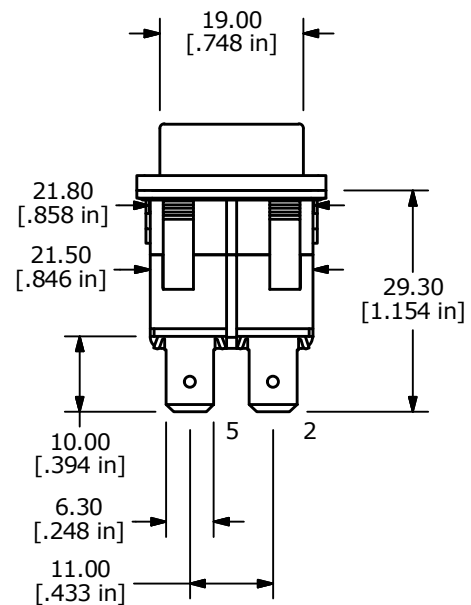
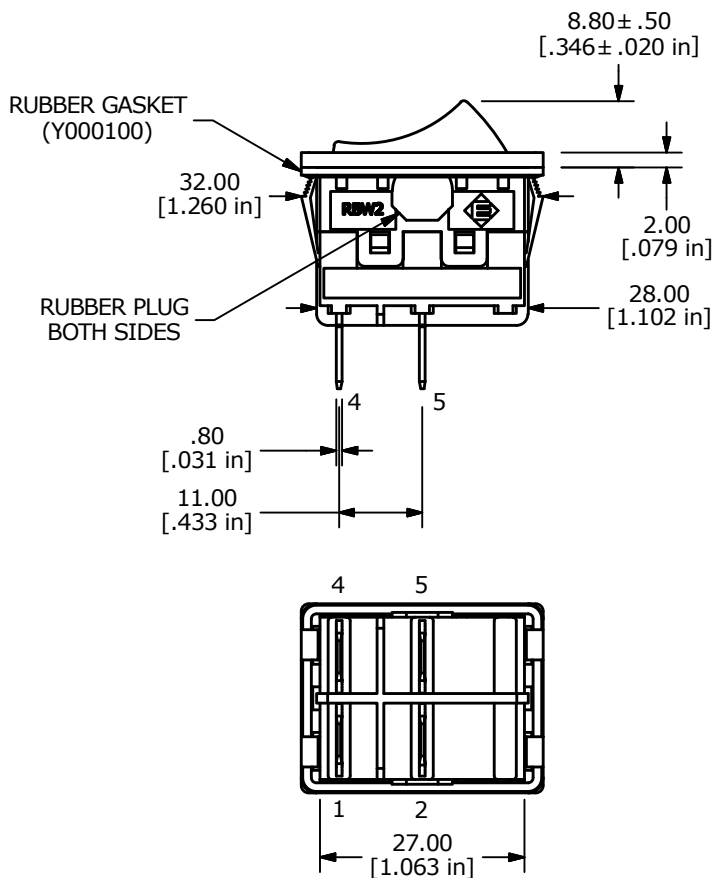
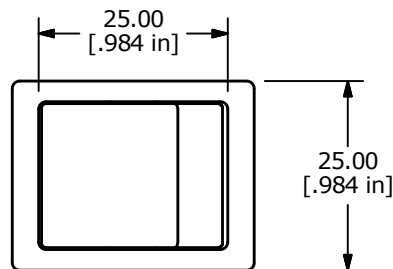
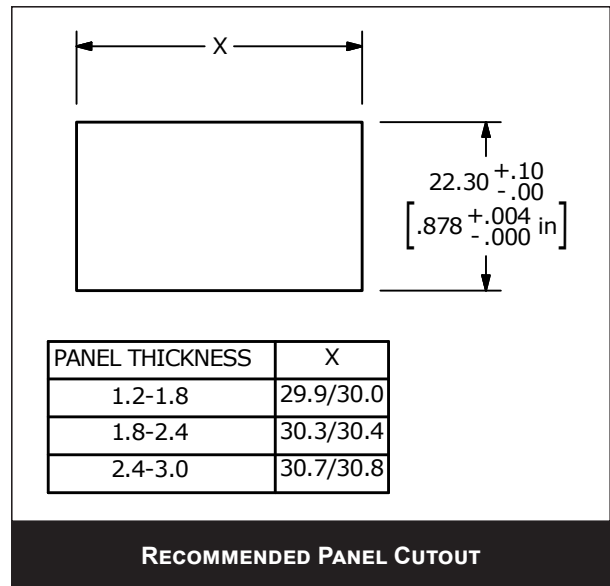
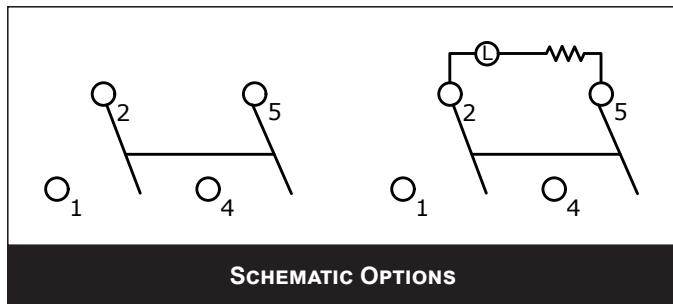
800.867.2717

1

RBW2 SERIES ROCKER SWITCH

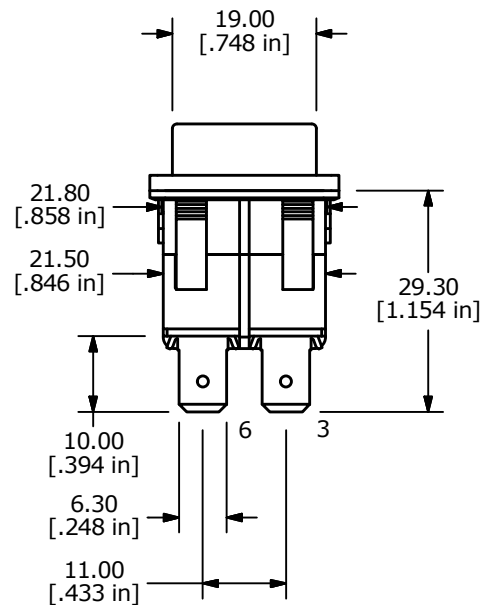
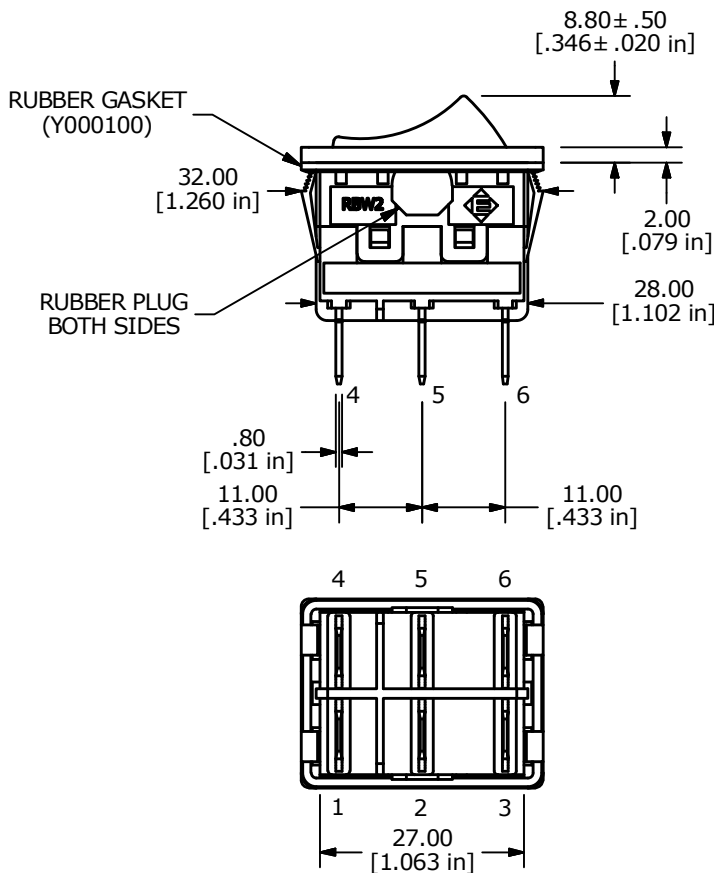
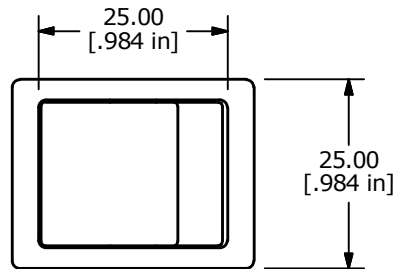
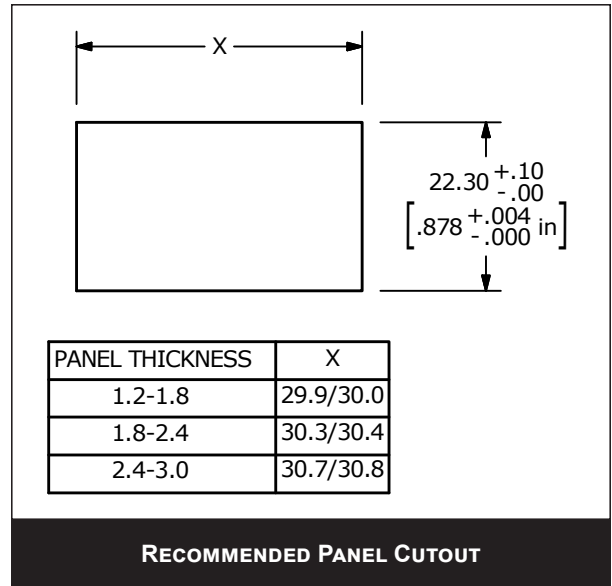
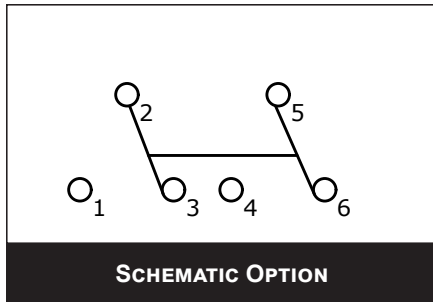
BODY DIMENSIONS

A - CIRCUIT



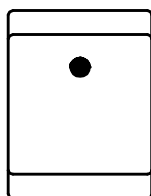
RBW2 SERIES ROCKER SWITCH

BODY DIMENSIONS B - CIRCUIT

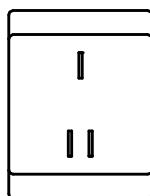


RBW2 SERIES ROCKER SWITCH

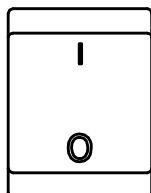
MARKING OPTIONS



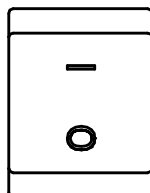
A - DOT



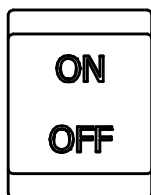
**D - I/II
VERTICAL**



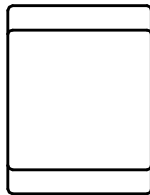
**F - I/O
VERTICAL**



**G - I/O
HORIZONTAL**



**I - ON/OFF
VERTICAL**



E - No MARKING

ANTI-VANDAL
SWITCHES

DETECTOR
SWITCHES

DIP
SWITCHES

KEYLOCK
SWITCHES

NAVIGATION
SWITCHES

PUSHBUTTON
SWITCHES

**ROCKER
SWITCHES**

ROTARY
SWITCHES

SLIDE
SWITCHES

SNAP ACTION
SWITCHES

TACTILE
SWITCHES

TOGGLE
SWITCHES

CAP
OPTIONS



Looking for pricing, stock, or lifecycle information?

Click below to explore more details on WIN SOURCE:

 [View RBW2ABLKGILEF1 on WIN SOURCE](#)

 [E-SWITCH](#) Information

Optimize Your Supply Chain with WIN SOURCE Solutions

-  Global Sourcing Solution
-  Obsolete Management
-  Cost Control Management
-  Shortage Management
-  Alternative Solution
-  Excess Inventory Management