



THE DATASHEET OF
189-009-413R491



T-D-SUB - MALE OVER FEMALE

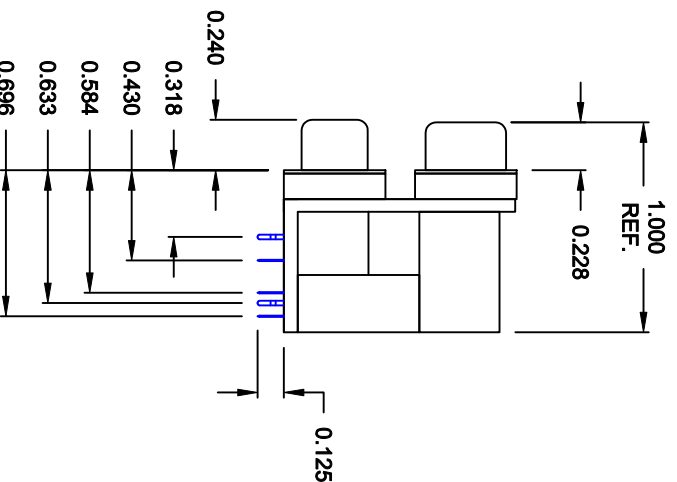
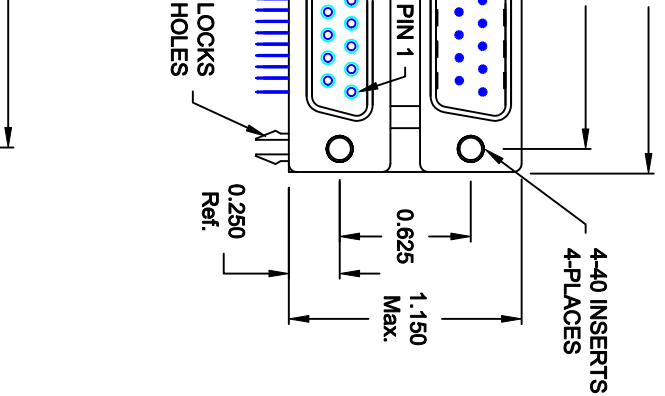
25 PIN
SHOWN

DIMENSIONS (IN.)				
9	15	25	37	
A	1.204	1.535	2.078	2.724
B	0.984	1.312	1.850	2.500
C	0.494	0.494	0.494	0.494

SPECIFICATION:

MATERIAL: STEEL, NICKEL PLATED
SHELL: UL 94V-0 RATED, BLACK PA9T,
 260° PROCESS TEMP.
INSULATOR: BRASS
CONTACTS: GOLD PLATED ENTIRE CONTACT

ELECTRICAL: 1,000 Ohms Min.
INSULATOR RESISTANCE: 1,000V/AC RMS
DIELECTRIC STRENGTH: 5 AMPS
CURRENT RATING: -55° C TO 105° C
OPERATING TEMPERATURE:



DO NOT SCALE FROM DRAWING

SERIES POSITIONS _____
 009
 015
 025
 037
GENDER _____
 31 = FEMALE OVER MALE
 41 = MALE OVER FEMALE
 51 = FEMALE OVER FEMALE
 61 = MALE OVER MALE
SHELL PLATING _____
 3 = NICKEL
ROHS COMPLIANT (HIGH TEMP. PROCESS) _____
HARDWARE OPTIONS _____
 49 = 4-40 INSERTS/BOARD LOCKS
PLATING OPTIONS _____
 1 = GOLD FLASH (ENTIRE CONTACT)
 A = 30u" GOLD MATING AREA/GOLD FLASH TAILS
 9 = 30u" GOLD MATING AREA/TIN TAILS

THESE DRAWINGS AND SPECIFICATIONS ARE THE PROPERTY OF NorComp AND SHALL NOT BE REPRODUCED, COPIED OR USED AS THE BASIS FOR THE MANUFACTURE OR SALE OF APPARATUS WITHOUT WRITTEN PERMISSION.

DRAWN: C. SMITH
DATE: 03-30-07
CHECKED: _____
DATE: _____

SCALE: 1:1
SHEET 1 **OF** 1
REV 5

ROHS COMPLIANT

NorComp

DWG NO. 189-YYY-413R491

Looking for pricing, stock, or lifecycle information?

Click below to explore more details on WIN SOURCE:

 [View 189-009-413R491 on WIN SOURCE](#)

 [NorComp Inc. Information](#)

Optimize Your Supply Chain with WIN SOURCE Solutions

-  Global Sourcing Solution
-  Obsolete Management
-  Cost Control Management
-  Shortage Management
-  Alternative Solution
-  Excess Inventory Management