



**THE DATASHEET OF
R6BBLKBLKFF**



R6 SERIES ROCKER SWITCH

ANTI-VANDAL SWITCHES
 DETECTOR SWITCHES
 DIP SWITCHES
 KEYLOCK SWITCHES
 NAVIGATION SWITCHES
 PUSHBUTTON SWITCHES
ROCKER SWITCHES
 ROTARY SWITCHES
 SLIDE SWITCHES
 SNAP ACTION SWITCHES
 TACTILE SWITCHES
 TOGGLE SWITCHES
 CAP OPTIONS



APPLICATIONS / MARKETS



RoHS

SPECIFICATIONS

Electrical Rating: 10A 125VAC [UL, cUL]
 6A 250VAC [UL, cUL]
Mechanical Life: 30,000 Cycles
Electrical Life: 10,000 Cycles
Contact Resistance: < 20mΩ (Initial)
Insulation Resistance: > 1,000MΩ at 500VDC
Dielectric Strength: > 1,500VAC for 1 Minute (Initial)
Operating Temperature: -20°C to 65°C
Storage Temperature: -30°C to 80°C
Panel Thickness: 0.75 - 3.00mm

FEATURES & BENEFITS

- Slim-line package design
- Maintained and momentary functions

PART NUMBER CONFIGURATOR

Series	Function	Housing Color	Actuator Color	Marking	Termination
<input type="text" value="R6"/>	<input type="text" value="A"/> A - SPST On - Off <input type="text" value="B"/> B - SPST (On) - Off	<input type="text" value="BLK"/> BLK - Black <input type="text" value="GRY"/> GRY - Grey	<input type="text" value="BLK"/> BLK - Black <input type="text" value="RED"/> RED - Red <input type="text" value="GRY"/> GRY - Grey	<input type="text" value="A"/> A - Dot <input type="text" value="E"/> E - Blank <input type="text" value="F"/> F - I/O Vertical	<input type="text" value="F"/> F - Faston

NOTES:
 () denotes function is momentary

Specifications subject to change without notice 11.16.2021



E-SWITCH®

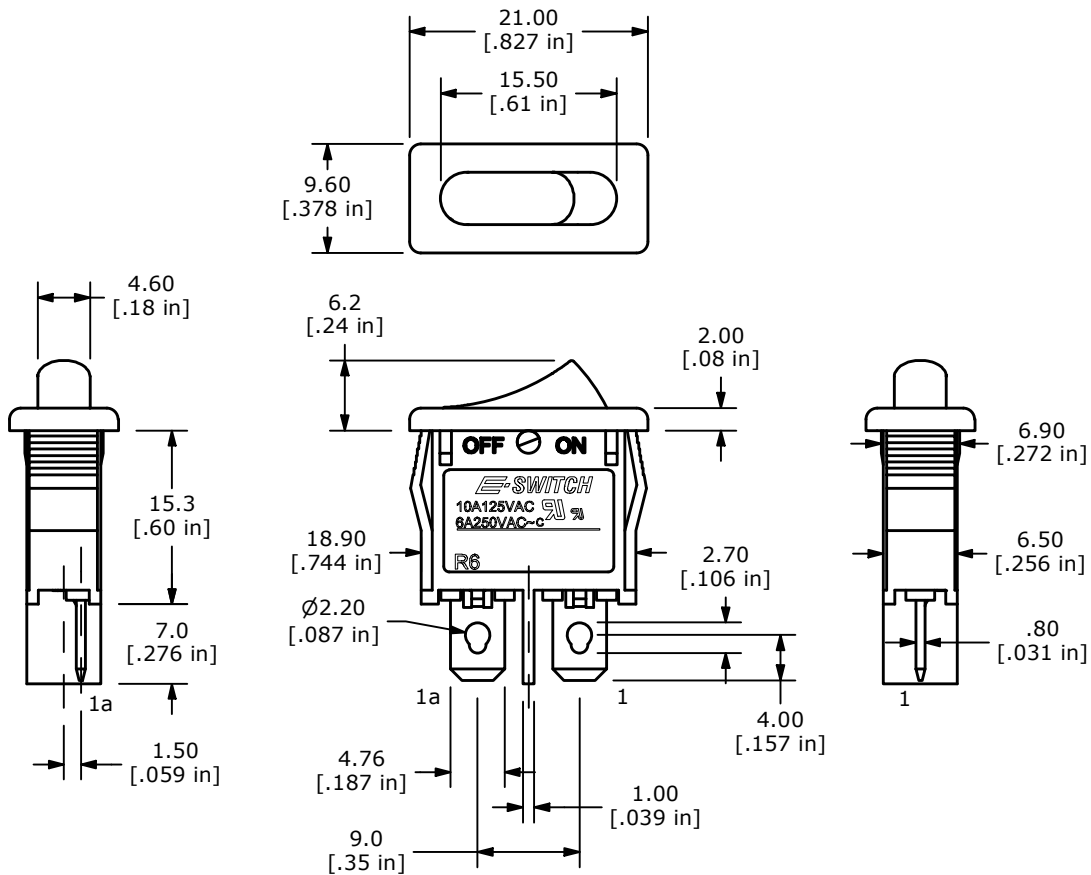
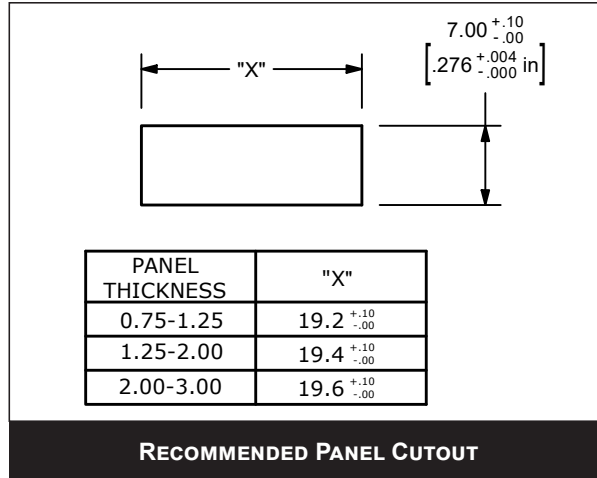
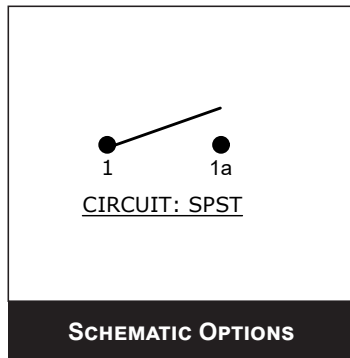
www.e-switch.com

800.867.2717

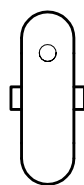
1

R6 SERIES ROCKER SWITCH

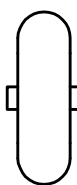
BODY DIMENSIONS



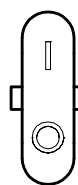
MARKING OPTIONS



A - DOT



E - BLANK



F - I/O VERTICAL



ANTI-VANDAL SWITCHES
 DETECTOR SWITCHES
 DIP SWITCHES
 KEYLOCK SWITCHES
 NAVIGATION SWITCHES
 PUSHBUTTON SWITCHES
ROCKER SWITCHES
 ROTARY SWITCHES
 SLIDE SWITCHES
 SNAP ACTION SWITCHES
 TACTILE SWITCHES
 TOGGLE SWITCHES
 CAP OPTIONS

Looking for pricing, stock, or lifecycle information?

Click below to explore more details on WIN SOURCE:

 [View R6BBLKBLKFF on WIN SOURCE](#)

 [E-SWITCH](#) Information

Optimize Your Supply Chain with WIN SOURCE Solutions

-  Global Sourcing Solution
-  Obsolete Management
-  Cost Control Management
-  Shortage Management
-  Alternative Solution
-  Excess Inventory Management