



THE DATASHEET OF
165X02689X



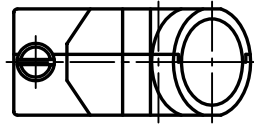
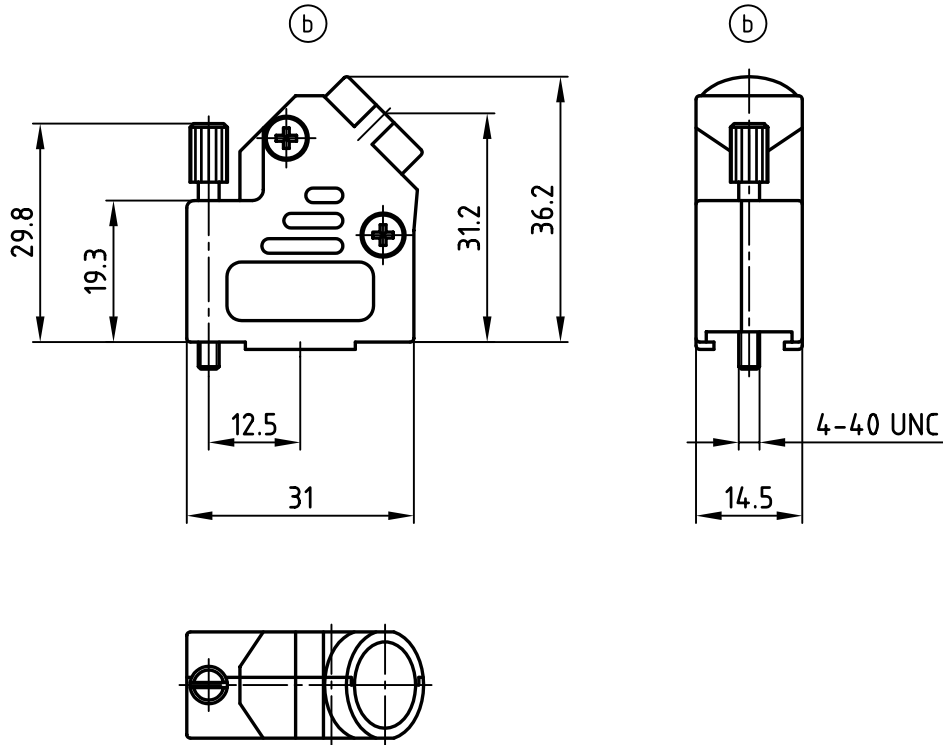
4

3

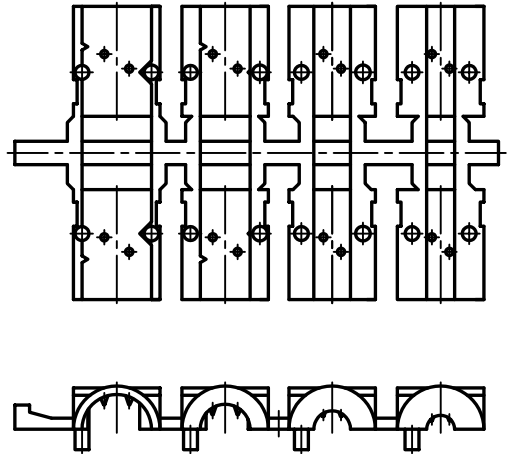
2

1

used for: D-SUB



(b) Strain relief



Part No. Bulk package	Part No. Single package
165X02689X	165X02689XE

Directive 2002/95/EC
„RoHS“
Compliant

THIS DRAWING MAY NOT BE COPIED OR
REPRODUCED IN ANY WAY, AND MAY NOT
BE PASSED ON TO A THIRD PARTY WITHOUT
WRITTEN PERMISSION.
OWNERSHIP AND COPYRIGHT OF CONEC GmbH
DO NOT ALTER CAD DRAWING BY HAND

			tolerance				
			2000	date	name		
			drawn	02.10.	Parei		
			appd.	02.10.	Resonnek		
			norm				
2 x c	Ä 2754	23.07.2007	Lehmen	d-old			
3 x b	Ä 2480	06.04.2006	Lehmen				
a	Origin						
rev.	description	date	name				

CONEC[®]

scale: 1:1
material:

title:
D-SUB METALHOOD
DVZK Serie 9pos.

dwg no: AutoCAD 2006 DIN-A
16K1A058A 4
sh: 1/1

product no: (c) SEE TABLE

4

3

2

1

Looking for pricing, stock, or lifecycle information?

Click below to explore more details on WIN SOURCE:

 [View 165X02689X on WIN SOURCE](#)

 [Manufacturer Information](#)

Optimize Your Supply Chain with WIN SOURCE Solutions

-  Global Sourcing Solution
-  Obsolete Management
-  Cost Control Management
-  Shortage Management
-  Alternative Solution
-  Excess Inventory Management