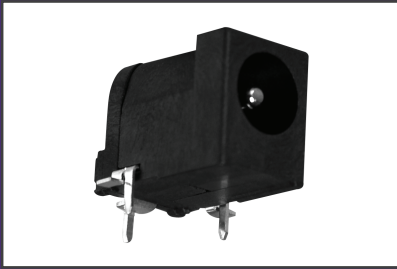




**THE DATASHEET OF  
KLDX-SMT-0202-ATR**





## DC POWER CONNECTORS: KLDX-SMT Series

### Hybrid DC Power Jack

#### Product Features

- 2.0mm and 2.5mm
- Built-In DC On/Off Switch
- Laptop and Palm Computer, Portable Modems, Radar Detectors, and Other Portable Device Applications
- High Temperature Material For Reflow Compatibility
- Packaged in Tubes for Automated Assembly
- Optional Center Peg Available
- CSA/NRTL Certified File No. LR78160
- UL File No. E140125

#### Performance Specifications

##### Materials and Finish

- Plastic Housing:** High Temperature Thermoplastic, UL 94V-0 Rated, Black Color
- Center Pin:** Copper Alloy, Nickel Plated
- Contact #1: and #3:** Brass, Silver Plated
- Contact #2:** Phosphor Bronze, Silver Plated

#### Electrical Characteristics

##### Contact Resistance

##### Before Durability Test

**Between Terminals:** 30 milliohms Max.

**Plug to Contacts:** 50 milliohms Max.

##### After Durability Test

**Between Terminals:** 60 milliohms Max.

**Plug to Contacts:** 100 milliohms Max.

**Rated Voltage:** 24V DC

**Rated Current:** 3.5A

**Insulation Resistance:** 100 Megohms Min. at 500V DC

##### Dielectric Withstanding Voltage:

500V AC RMS for 1 Minute

#### Mechanical Characteristics

**Durability Test:** 5000 Cycles

**Insertion Force:** 0.3kg - 2.0kg

**Extraction Force:** 0.3kg - 2.0kg

**Operating Temperature:** -25°C to +85°C

2D Drawing	IGES	STEP	3D PDF
Solder Profile	CofC RoHS Compliant	CofC REACH Compliant	UL Plastic File
Certificate of Origin	Check Stock	Request a Sample	Send Us An Email

#### Generated Part Number



#### Part Number Builder

<input type="text"/>	-	<input type="text"/>	<input type="text"/>	<input type="text"/>
Series		Diameter	Peg Option	Packaging Option

#### Series

KLDX-SMT-0202 - Hybrid Mount DC Power Jack

#### Diameter

- A - 2.0mm Center Pin Diameter
- B - 2.5mm Center Pin Diameter

#### Center Peg Option

- Blank - No Peg
- P - With Peg

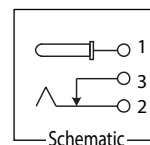
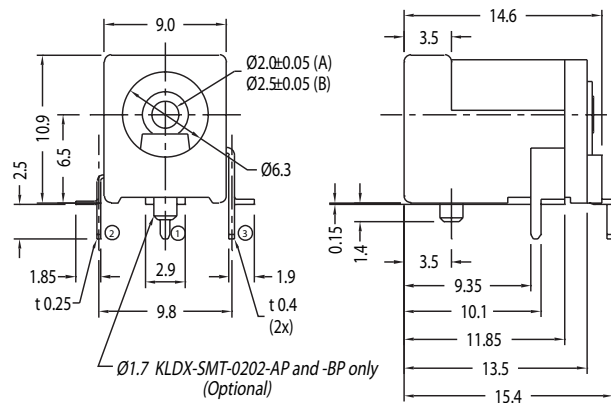
#### Packaging Option

- Blank - Bulk
- TR - Tape and Reel

Contact Kycon for Other Options

#### KLDX-SMT Series

Dimensions in mm



## Looking for pricing, stock, or lifecycle information?

Click below to explore more details on WIN SOURCE:

- ⊖ [View KLDX-SMT-0202-ATR on WIN SOURCE](#)
- ⊖ [Kycon, Inc. Information](#)

## Optimize Your Supply Chain with WIN SOURCE Solutions

- ✓ Global Sourcing Solution
- ✓ Obsolete Management
- ✓ Cost Control Management
- ✓ Shortage Management
- ✓ Alternative Solution
- ✓ Excess Inventory Management