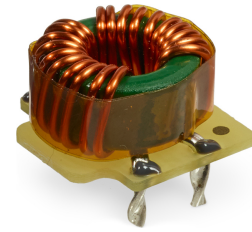
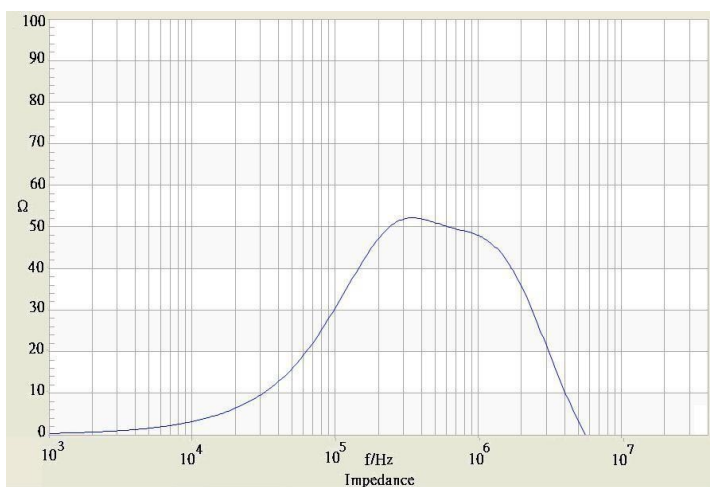




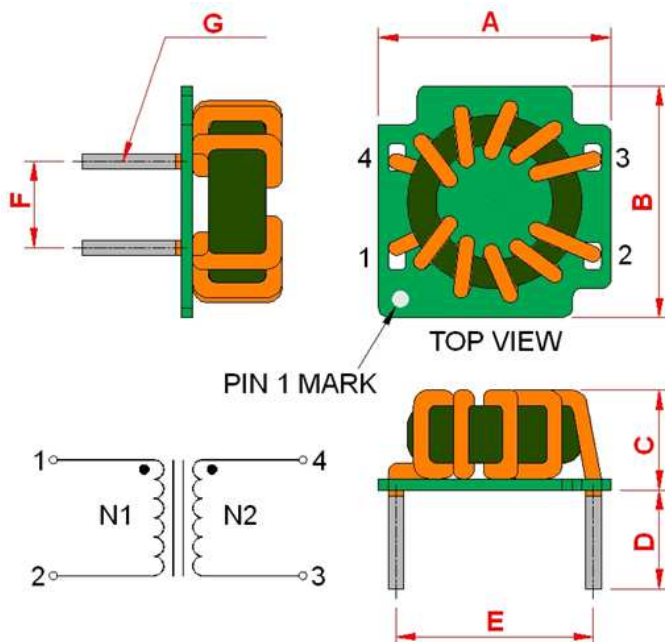
<b>Order Code</b>	<b>TCK-092</b>
<b>Inductance</b> (each winding)	45 $\mu$ H $\pm$ 35% (at 100 kHz / 100 mV)
<b>Impedance</b> (DCR)	2 m $\Omega$ max.
<b>Rated Current</b>	31.4 A max.
<b>Rated Voltage</b>	500 VDC max. (between windings)
<b>Operating Temperature</b>	-40°C to +105°C
<b>RoHS Exemptions</b>	No Exemptions



### Impedance Curve



### Outline Dimensions



Dimensions [mm]	
<b>A</b>	16.6 $\pm$ 0.4
<b>B</b>	16.4 $\pm$ 0.4
<b>C</b>	12.5 max.
<b>D</b>	5.0 $\pm$ 1.0
<b>E</b>	14.1 $\pm$ 0.5
<b>F</b>	6.1 $\pm$ 0.5
<b>G</b>	$\varnothing$ 2.2 max.

All specifications valid at +25°C, unless otherwise stated.

## Looking for pricing, stock, or lifecycle information?

Click below to explore more details on WIN SOURCE:

 [View TCK-092 on WIN SOURCE](#)

 [Traco Power Information](#)

## Optimize Your Supply Chain with WIN SOURCE Solutions

-  Global Sourcing Solution
-  Obsolete Management
-  Cost Control Management
-  Shortage Management
-  Alternative Solution
-  Excess Inventory Management