



THE DATASHEET OF
977-037-010R031



BACKSHELL KIT INCLUDES:

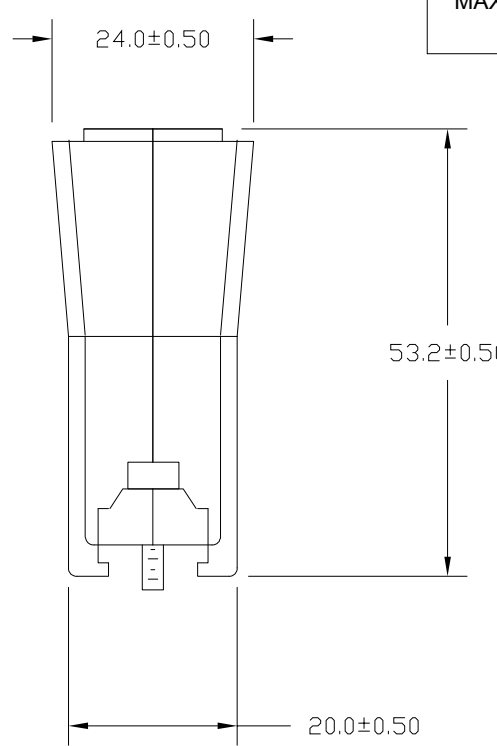
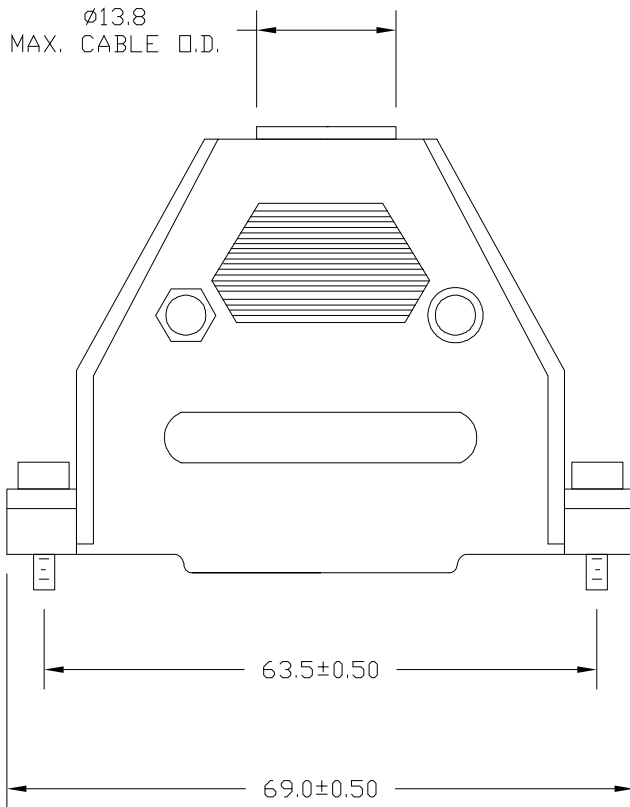
- (2) BACKSHELL HALVES
- (2) HOUSING SCREWS
- (2) HOUSING NUTS
- (2) 4-40 MOUNTING SCREWS
- (2) SADDLE WASHERS
- (2) STRAIN RELIEF CLAMPS
- (2) STRAIN RELIEF SCREWS

METALIZED PLASTIC:

- MATERIAL: ABS HIGH TEMPERATURE PLASTIC UL94HB
- METALIZED PLATING: NICKEL OVER COPPER
- OPERATING TEMP: 0°C TO 85°C

PLASTIC:

- MATERIAL: ABS HIGH TEMPERATURE PLASTIC UL94HB
- OPERATING TEMP: 0°C TO 85°C



MAXIMUM RECOMMEND TORQUE FOR ALL HARDWARE:
50 IN-OZ

977-037-0Y0 R YY 1

SERIES _____
 POSITIONS _____
 037
 MATERIAL _____
 010 = PLASTIC
 020 = METALIZED PLASTIC
 RoHS COMPLIANT _____
 COLOR _____
 03 = GREY (ONLY USE WITH 010 OPTION ABOVE)
 12 = METALIZED (ONLY USE WITH 020 OPTION ABOVE)
 PUT-UP _____
 1 = KIT

RoHS COMPLIANT

UNITS = mm

DO NOT SCALE FROM DRAWING



THESE DRAWINGS AND SPECIFICATIONS ARE THE PROPERTY OF NorComp AND SHALL NOT BE REPRODUCED, COPIED OR USED AS THE BASIS FOR THE MANUFACTURE OR SALE OF APPARATUS WITHOUT WRITTEN PERMISSION.

DRAWN:

J. KADEL

DATE:

08/22/2019

NorComp

SCALE:

NTS

SHEET

OF

1

1

REV

3

DWG NO.

977-037-0Y0RYY1

Looking for pricing, stock, or lifecycle information?

Click below to explore more details on WIN SOURCE:

 [View 977-037-010R031 on WIN SOURCE](#)

 [NorComp Inc. Information](#)

Optimize Your Supply Chain with WIN SOURCE Solutions

-  Global Sourcing Solution
-  Obsolete Management
-  Cost Control Management
-  Shortage Management
-  Alternative Solution
-  Excess Inventory Management