



**THE DATASHEET OF
RCJ-2234**



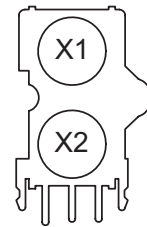
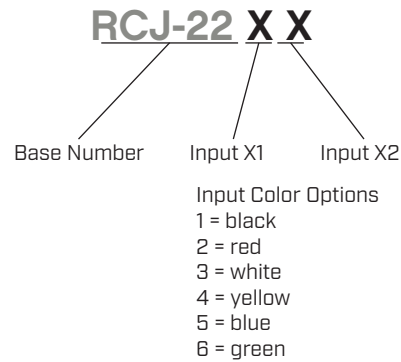
SERIES: RCJ-22 | **DESCRIPTION:** RCA JACK

FEATURES

- through hole
- mounting tab
- metal bushing



PART NUMBER KEY



Example part number: **RCJ-2221**

input 1 = red
input 2 = black

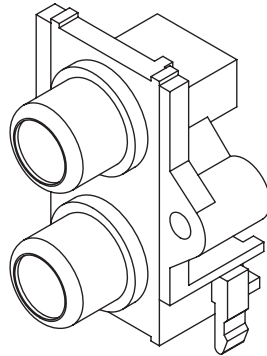
SPECIFICATIONS

parameter	conditions/description	min	typ	max	units
contact resistance				30	mΩ
insulation resistance	at 500 Vdc	100			MΩ
voltage withstand	for 1 minute			500	Vac
life			5,000		cycles
RoHS	yes				

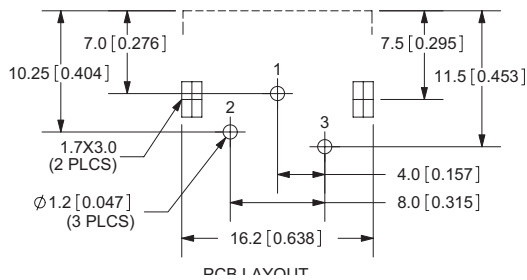
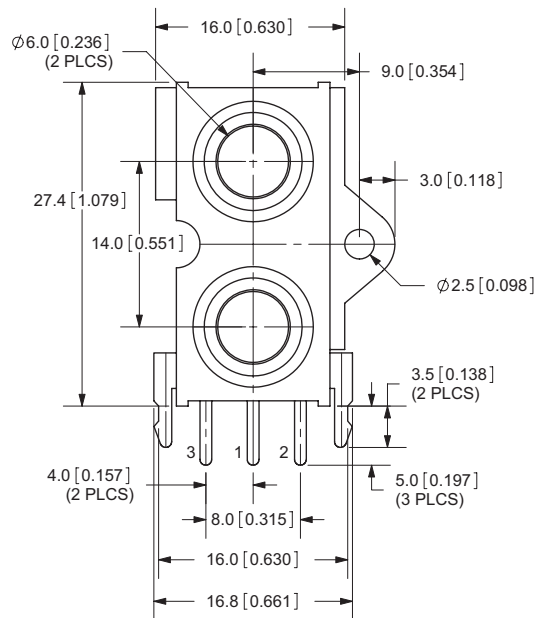
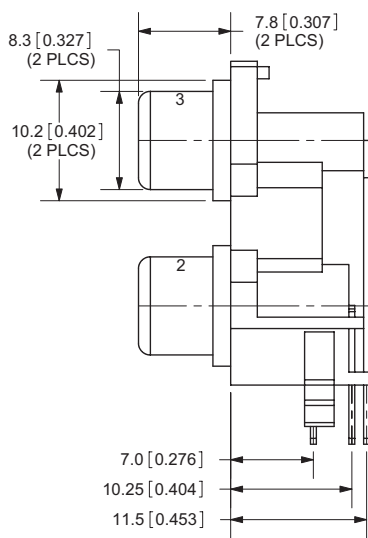
MECHANICAL DRAWING

units: mm[inches]

TOLERANCE:
±0.3mm (unless otherwise specified)



	MATERIAL	PLATING
barrel terminal [1]	brass	nickel
center terminal [2, 3]	brass	tin
insulator [X1, X2]	PBT	
housing	ABS	black
cover	ABS	black



Model No.	RCJ-22XX
Schematic	

REVISION HISTORY

rev.	description	date
1.0	initial release	06/29/2007
1.01	plating on terminals 1 & 2 changed from silver to tin	08/03/2010
1.02	added mounting hole dimension	11/05/2010
1.03	brand update	06/11/2020
1.04	logo, datasheet style update	11/21/2022
1.05	CUI Devices rebranded to Same Sky	09/12/2024

The revision history provided is for informational purposes only and is believed to be accurate.



Same Sky offers a one (1) year limited warranty. Complete warranty information is listed on our website.

Same Sky reserves the right to make changes to the product at any time without notice. Information provided by Same Sky is believed to be accurate and reliable. However, no responsibility is assumed by Same Sky for its use, nor for any infringements of patents or other rights of third parties which may result from its use.

Same Sky products are not authorized or warranted for use as critical components in equipment that requires an extremely high level of reliability. A critical component is any component of a life support device or system whose failure to perform can be reasonably expected to cause the failure of the life support device or system, or to affect its safety or effectiveness.

[sameskydevices.com](https://www.sameskydevices.com)

Looking for pricing, stock, or lifecycle information?

Click below to explore more details on WIN SOURCE:

 [View RCJ-2234 on WIN SOURCE](#)

 [Same Sky Information](#)

Optimize Your Supply Chain with WIN SOURCE Solutions

-  Global Sourcing Solution
-  Obsolete Management
-  Cost Control Management
-  Shortage Management
-  Alternative Solution
-  Excess Inventory Management