

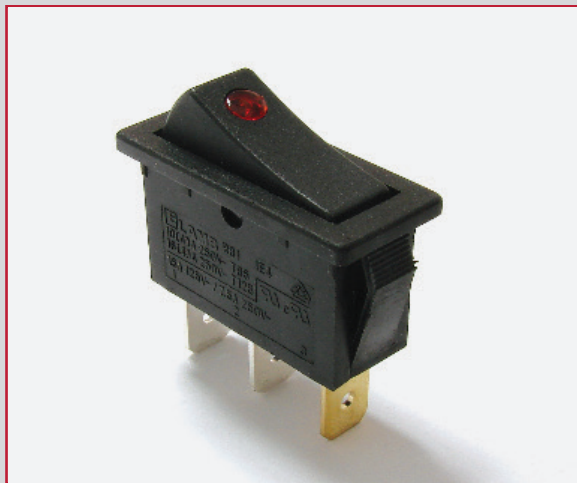


**THE DATASHEET OF
RB141C1000-114**

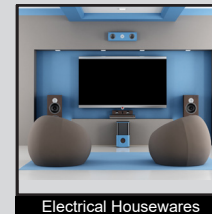
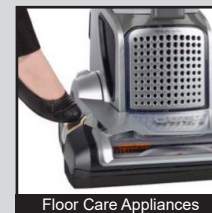
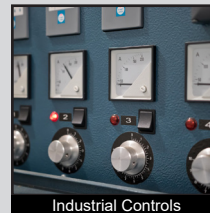


RB1 SERIES ROCKER SWITCH

ANTI-VANDAL SWITCHES
DETECTOR SWITCHES
DIP SWITCHES
KEYLOCK SWITCHES
NAVIGATION SWITCHES
PUSHBUTTON SWITCHES
ROCKER SWITCHES
ROTARY SWITCHES
SLIDE SWITCHES
SNAP ACTION SWITCHES
TACTILE SWITCHES
TOGGLE SWITCHES
CAP OPTIONS



APPLICATIONS / MARKETS



RoHS

SPECIFICATIONS

Electrical Rating:

Option C: 15A 125VAC T85 [cURus]
7.5A 250VAC T85 [cURus]

Option D (2 Position Functions):

20A 125VAC T105 [cURus]
16A 250VAC T105 [cURus]
3/4HP 125VAC T105 [cURus]
3/4HP 250VAC T105 [cURus]

Option E (3 Position Functions):

16A 125VAC T65 [cURus]
16A 250VAC T65 [cURus]

Operating Temperature: -20°C to 65°C

Electrical Life: 10,000 Cycles

Contact Resistance: 35mΩ Max. at 50VAC

Insulation Resistance: 100MΩ Min. at 500VDC

Dielectric Strength: 1,500VAC for 1 min.

Ingress Protection: IP54 with optional silicone cap

FEATURES & BENEFITS

- High Quality and Reliable Switch
- Industry Standard 11mm x 30mm Cutout
- Illumination Options
- Marking Options
- Multiple Actuator Options
- Front Panel Mount Applications
- Optional Cap for Dust and Water Protection
- 1 Pole Maintained and Momentary Functions

PART NUMBER CONFIGURATOR

Series	Terminal	Function	Rating	Body Color	Actuator Color	Marking Color	Marking Type	Lens Style	Lens Color	Lamp Voltage
RB1	4 - 6.3mm	1 - Off-On 3 - On-On 4 - Off-(On) 5 - On-Off-On A - On-(Off) B - On-(On) C - On-Off-(On) D - (On)-Off-(On)	C - 15A 125V D - 20A 125V E - 16A 125V	1 - Black 2 - White 3 - Almond 4 - Grey 9 - Red	0 - None 1 - Black 2 - White 3 - Almond 4 - Grey 5 - Orange 7 - Blue 8 - Green 9 - Red	0 - None 1 - Black 2 - White 8 - Red	0 - None 1 - I/O Vertical 2 - ON-OFF-ON Vertical 3 - ON-OFF Vertical 4 - ON-OFF Horizontal 9 - I/O/II Horizontal R - I/O Horizontal S - I/O/II Vertical	None - Not Illuminated 1 - Full 2 - Round*	None - Not Illuminated 0 - Clear 1 - Red 2 - Amber 3 - Green 4 - Blue 5 - Yellow	None - Not Illuminated 4 - 12V 5 - 24V 6 - 125V 7 - 250V

Notes:

Custom Colors and Markings Available Upon Request

() = Denotes Momentary Function

* = Only Available with the "C" Rating

Specifications subject to change without notice 7.17.2025



E-SWITCH®

www.e-switch.com

800.867.2717

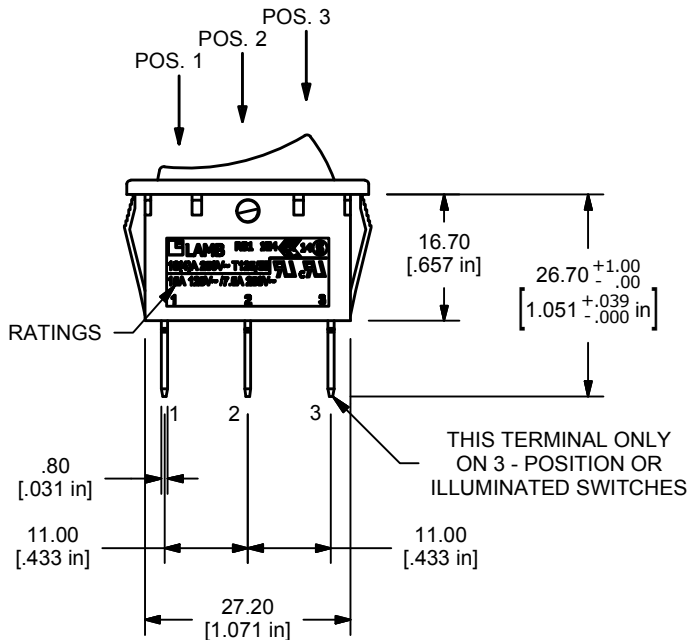
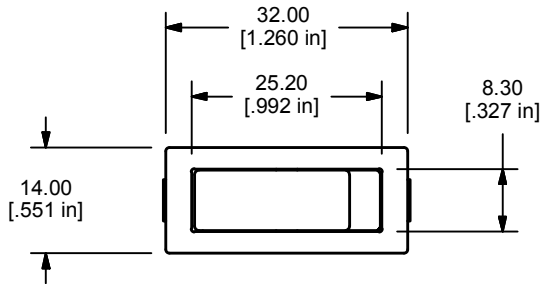
1

RB1 SERIES ROCKER SWITCH

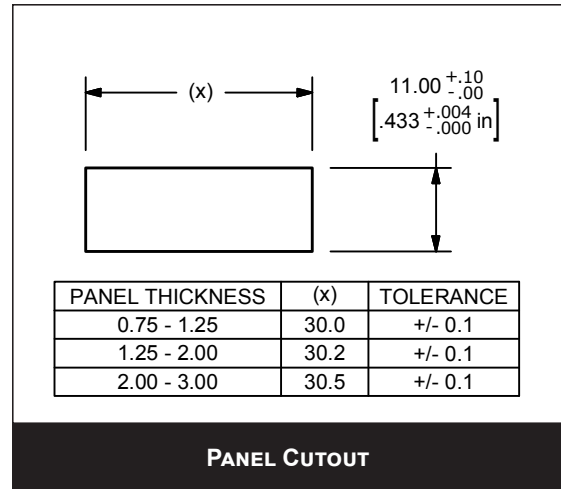
BODY DIMENSIONS

FUNCTION	POS. 1	POS. 2	POS. 3
1	OFF	NONE	ON
3	ON	NONE	ON
4	OFF	NONE	(ON)
5	ON	OFF	ON
A	ON	NONE	(OFF)
B	ON	NONE	(ON)
C	ON	OFF	(ON)
D	(ON)	OFF	(ON)
TERMINAL CLOSURE	2-3	OPEN	2-1

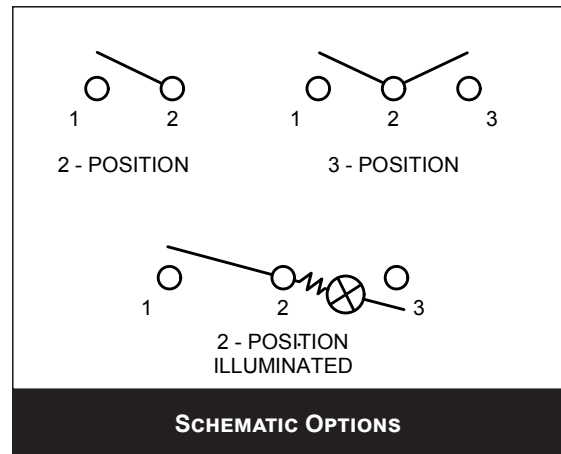
() = MOMENTARY



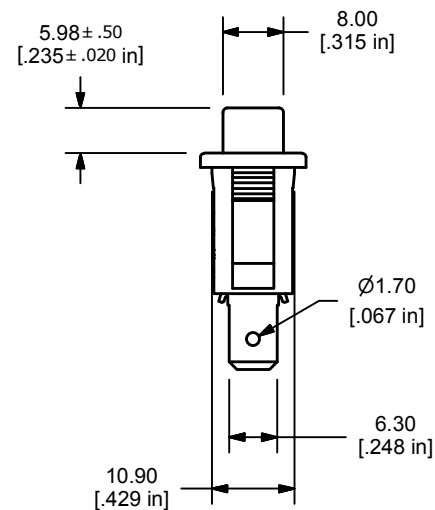
SHOWN WITH C - RATED BODY



PANEL CUTOUT



SCHEMATIC OPTIONS

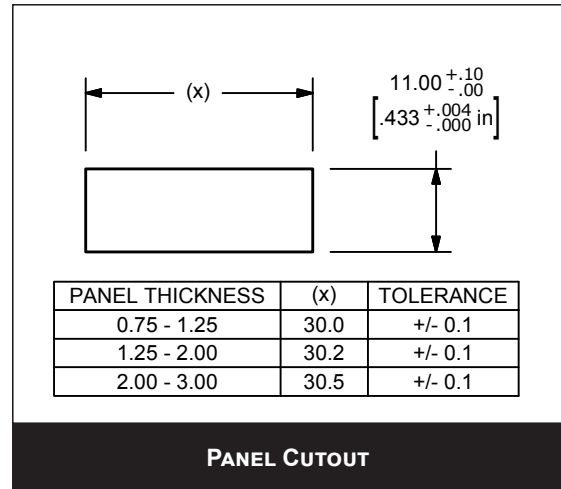


RB1 SERIES ROCKER SWITCH

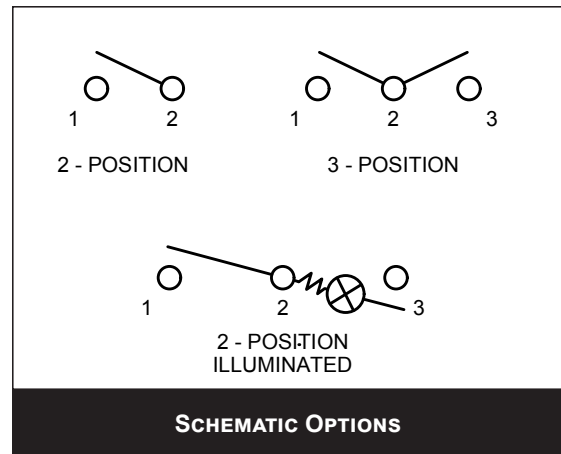
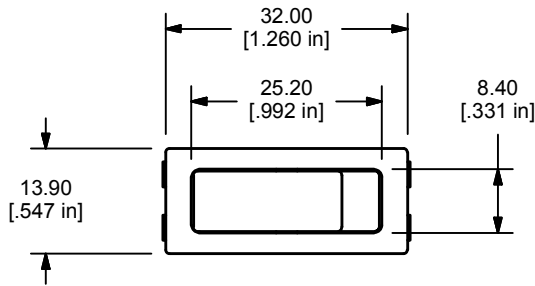
BODY DIMENSIONS

FUNCTION	POS. 1	POS. 2	POS. 3
1	OFF	NONE	ON
3	ON	NONE	ON
4	OFF	NONE	(ON)
5	ON	OFF	ON
A	ON	NONE	(OFF)
B	ON	NONE	(ON)
C	ON	OFF	(ON)
D	(ON)	OFF	(ON)
TERMINAL CLOSURE	2-3	OPEN	2-1

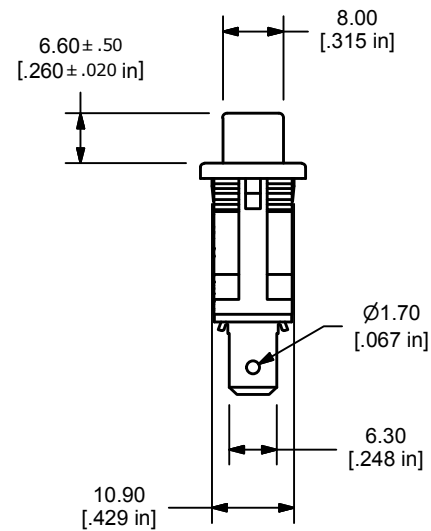
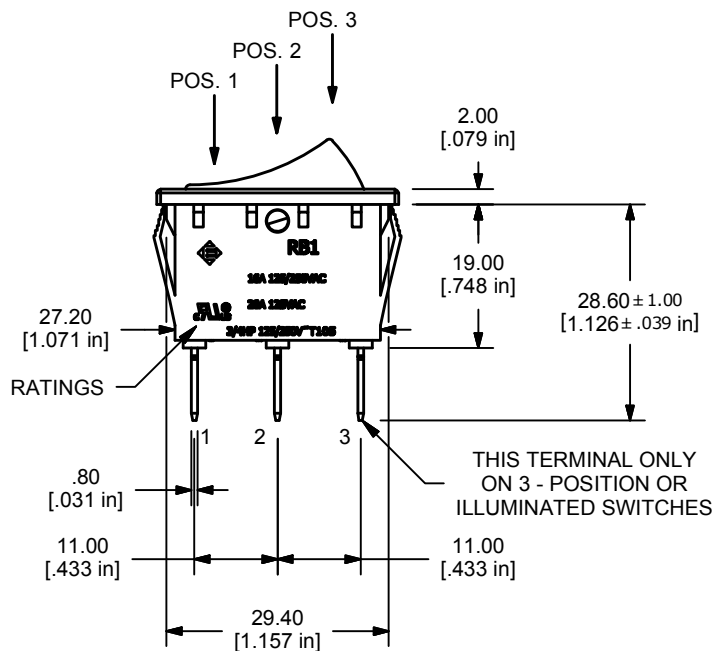
() = MOMENTARY



PANEL CUTOUT



SCHEMATIC OPTIONS



SHOWN WITH D - RATED BODY

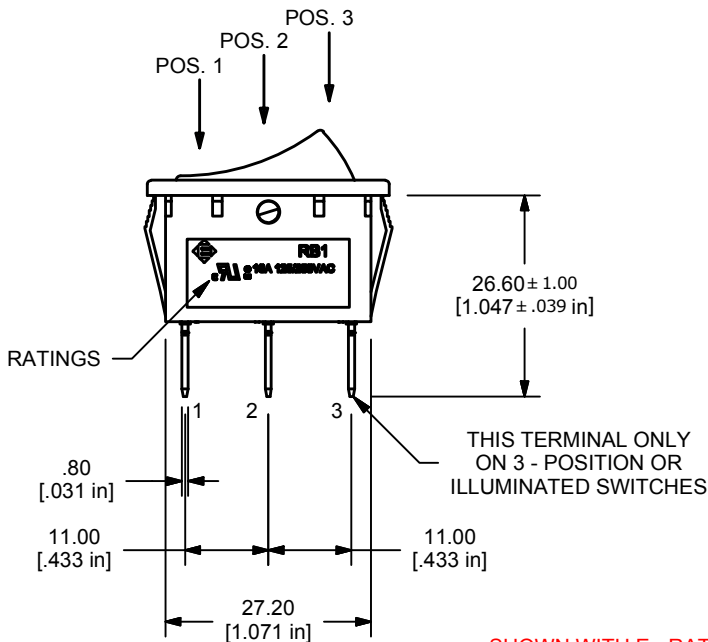
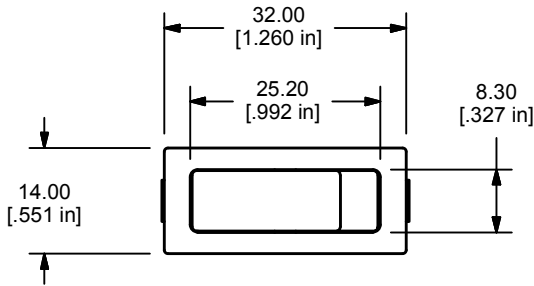


RB1 SERIES ROCKER SWITCH

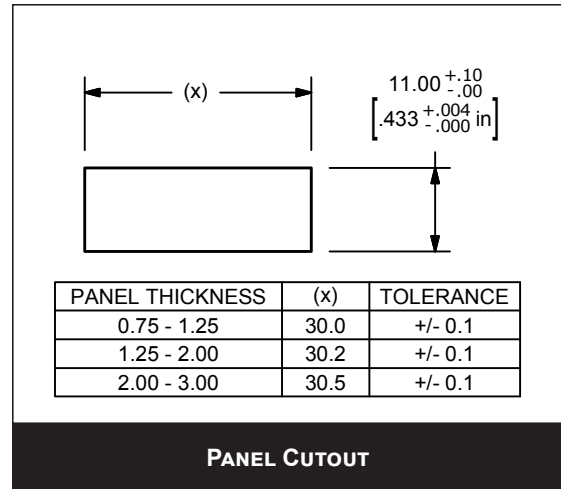
BODY DIMENSIONS

FUNCTION	POS. 1	POS. 2	POS. 3
1	OFF	NONE	ON
3	ON	NONE	ON
4	OFF	NONE	(ON)
5	ON	OFF	ON
A	ON	NONE	(OFF)
B	ON	NONE	(ON)
C	ON	OFF	(ON)
D	(ON)	OFF	(ON)
TERMINAL CLOSURE	2-3	OPEN	2-1

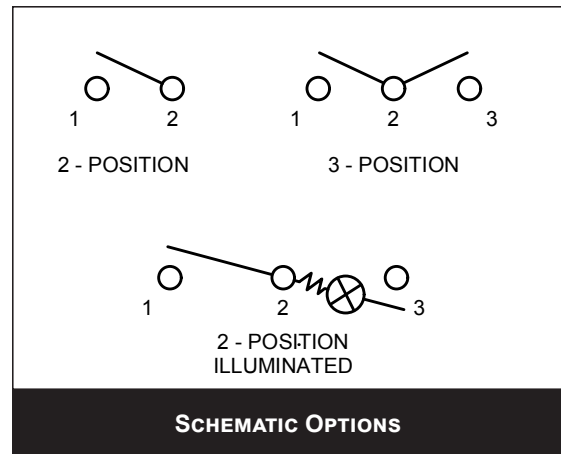
() = MOMENTARY



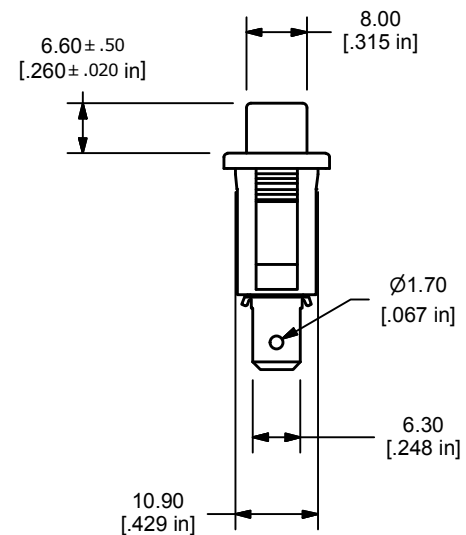
SHOWN WITH E - RATED BODY



PANEL CUTOUT



SCHEMATIC OPTIONS

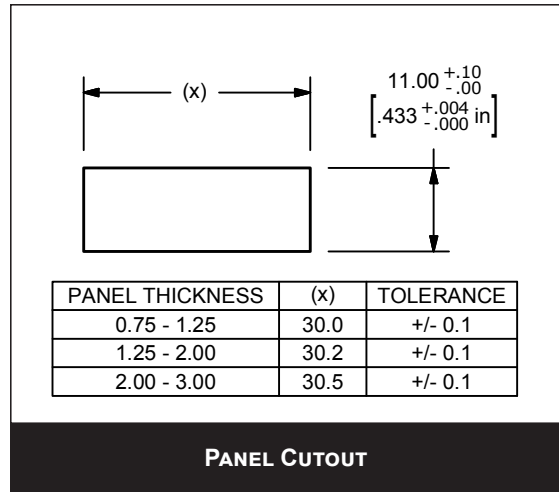


RB1 SERIES ROCKER SWITCH

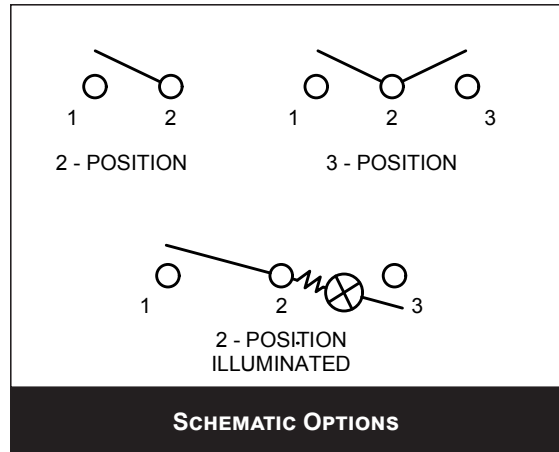
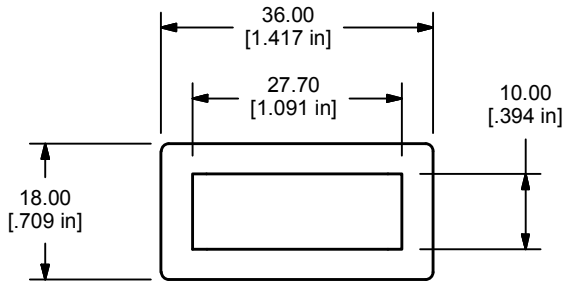
BODY DIMENSIONS

FUNCTION	POS. 1	POS. 2	POS. 3
1	OFF	NONE	ON
3	ON	NONE	ON
4	OFF	NONE	(ON)
5	ON	OFF	ON
A	ON	NONE	(OFF)
B	ON	NONE	(ON)
C	ON	OFF	(ON)
D	(ON)	OFF	(ON)
TERMINAL CLOSURE	2-3	OPEN	2-1

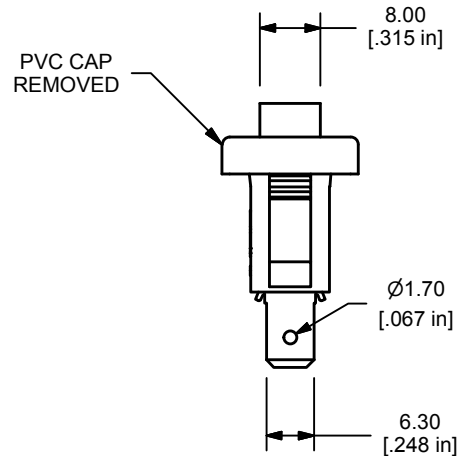
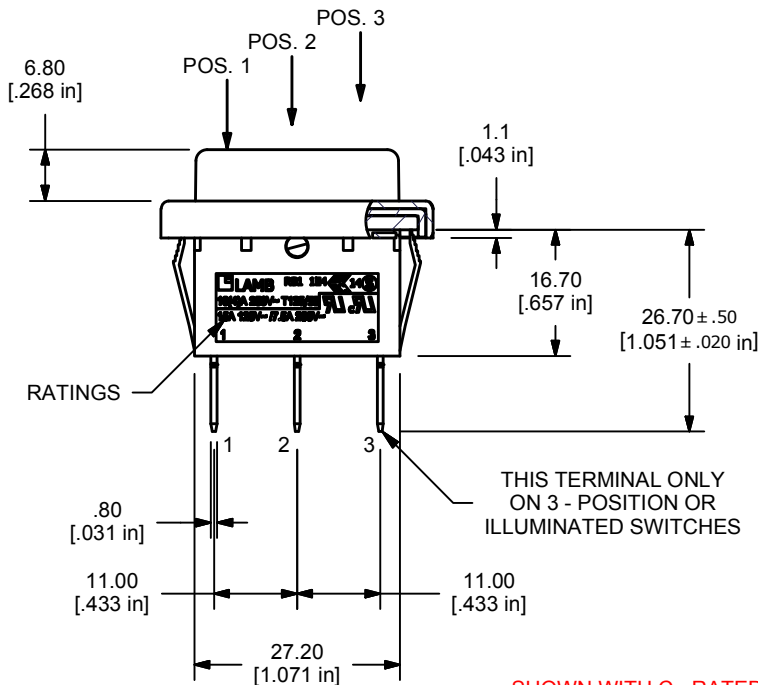
() = MOMENTARY



PANEL CUTOUT



SCHEMATIC OPTIONS



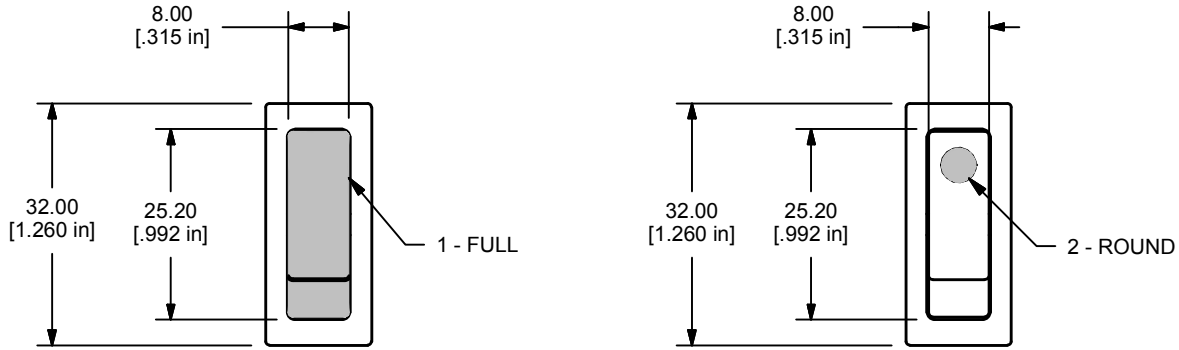
SHOWN WITH C - RATED BODY & ACC-F01-1 (SILICONE CAP)



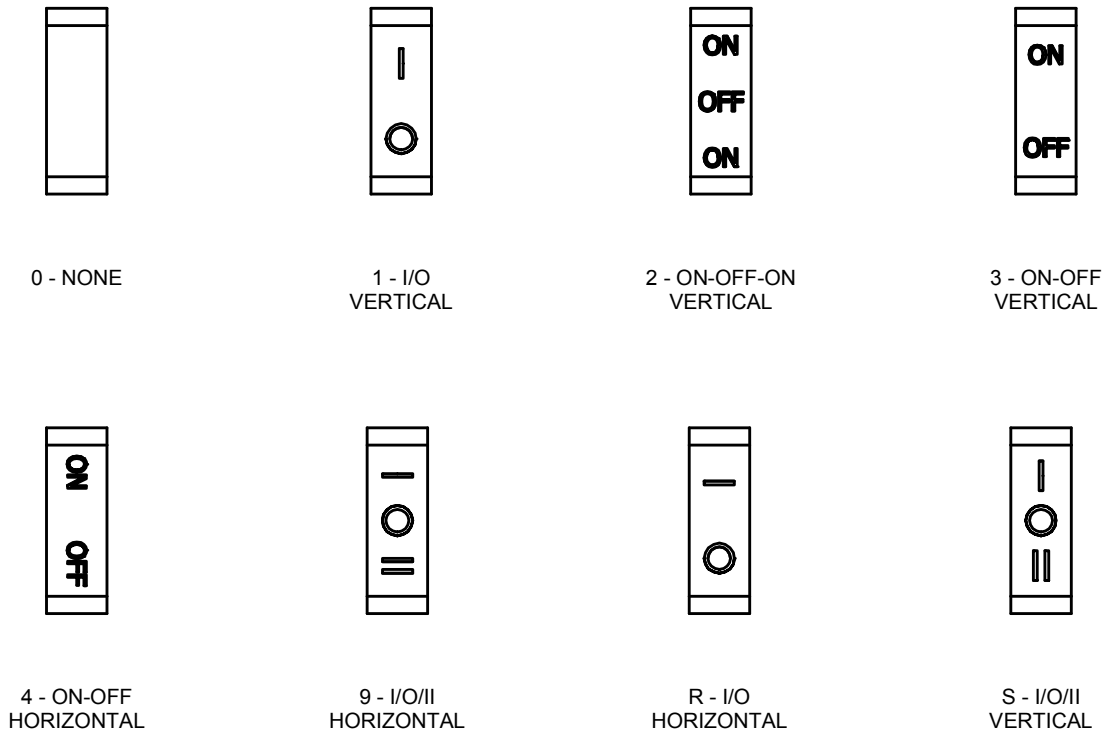
RB1 SERIES ROCKER SWITCH

ILLUMINATION TYPE/ MARKING TYPE

ILLUMINATION TYPE



MARKING TYPE



Looking for pricing, stock, or lifecycle information?

Click below to explore more details on WIN SOURCE:

 [View RB141C1000-114 on WIN SOURCE](#)

 [E-SWITCH](#) Information

Optimize Your Supply Chain with WIN SOURCE Solutions

-  Global Sourcing Solution
-  Obsolete Management
-  Cost Control Management
-  Shortage Management
-  Alternative Solution
-  Excess Inventory Management