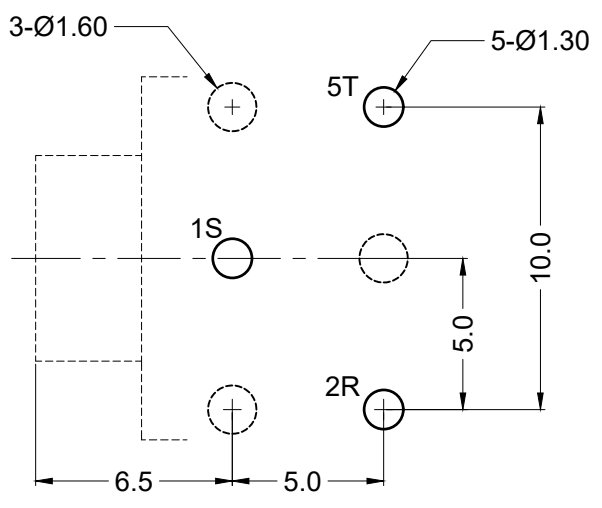
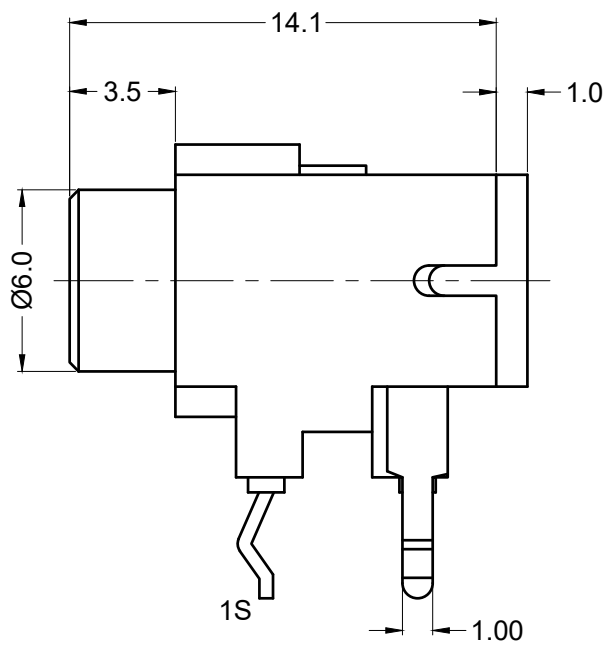
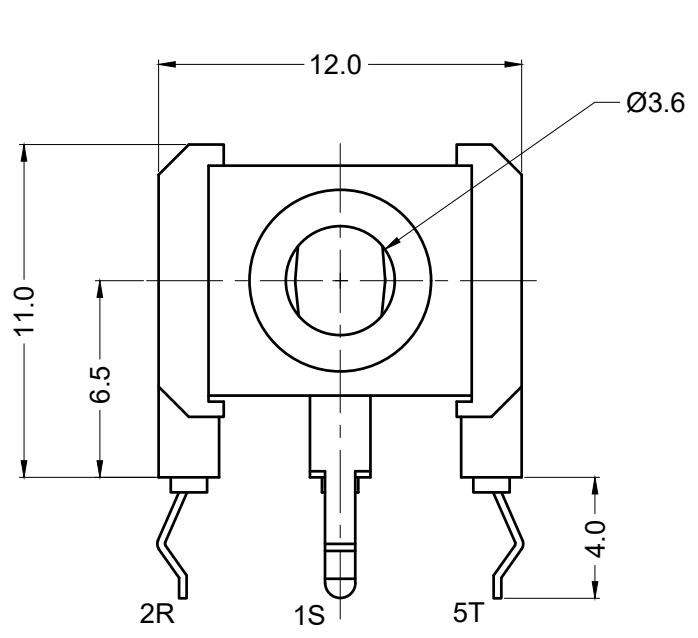




**THE DATASHEET OF
STX-3200-3NB**





Recommended PCB Layout
(Bottom View)

Materials and Finish

Housing: PBT Thermoplastic
15% Glass Filled, UL 94V-0
Rated, Black Color

Contact Material:
Pin #1: Copper Alloy, Nickel Plated
Pin #2 and Pin #5:
Phosphor Bronze, Matte
Tin Plated

Electrical Characteristics

Insulation Resistance:
100 Megohms at 500V DC

Contact Resistance:
50 milliohms Max.

Dielectric Withstanding Voltage:
500V AC RMS for 1 Minute

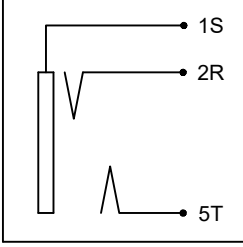
Mechanical Characteristics

Insertion Force: 0.4kg - 3.0kg
Withdrawal Force: 0.3kg - 3.0kg

Durability: 5000 Mating Cycles Min.

Operating Temperature:
-25°C to +100°C

SCHEMATIC



Tolerances

X.X ± 0.35
X.XX ± 0.25
Unless Stated
Otherwise



REV.	DATE	DESCRIPTION	REV. BY	CHK. BY	DRAWN BY	DATE
A0	5/26/05	New Drawing	H. MA	C. Furumasu	H. MA	5/26/05
A1	6/7/06	Release Drawing	H. MA	N/A		
B1	10/18/10	ECO #10-068	P. DalCanto	H. MA		
B2	5/2/11	ECO #11-027	P. DalCanto	H. MA		
B3	1/6/12	ECO #12-001	P. DalCanto	H. MA		
B4	08/14/18	Update Address	D. Shehan	N/A		

STX-3200-3NB


High Profile Stereo Jack, 3 pos., RoHS compliant

Metal Bushing, Nonthreaded, with Backplate



Looking for pricing, stock, or lifecycle information?

Click below to explore more details on WIN SOURCE:

 [View STX-3200-3NB on WIN SOURCE](#)

 [Kycon, Inc. Information](#)

Optimize Your Supply Chain with WIN SOURCE Solutions

-  Global Sourcing Solution
-  Obsolete Management
-  Cost Control Management
-  Shortage Management
-  Alternative Solution
-  Excess Inventory Management