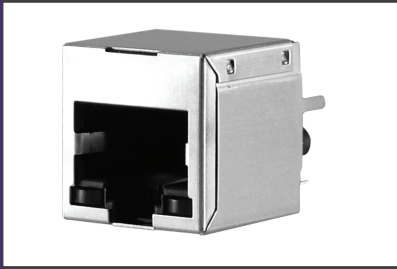




**THE DATASHEET OF
GDWLX-PNS-88-G/Y**





MODULAR JACKS AND PLUGS:

GDWLX Series

Vertical PCB Mount

Product Features

Easy Viewing LEDs to Act as Power/Transmit Indicators

Available Fully Shielded for EMI/RFI Protection

Available Through Hole

CSA/NRTL Certified File No. LR78160

Performance Specifications

Materials and Finish

Housing

Housing Material

PBT Thermoplastic, Glass Filled, UL 94V-0 Rated,
Black Color

Contact Material

Phosphor Bronze

Shield Material

Copper Alloy, Nickel Plated

Electrical Characteristics

Insulation Resistance

500 Megohms Min.

Dielectric Withstanding Voltage

1000V rms, 60Hz

Contact Resistance

20 milliohms Max.

Current Rating

1.5A

Voltage Rating

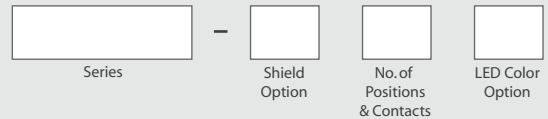
125V DC

2D Drawing	IGES	STEP	3D PDF
Solder Profile	CofC RoHS Compliant	CofC REACH Compliant	UL Plastic File
Certificate of Origin	Check Stock	Request a Sample	Send Us An Email

Generated Part Number



Part Number Builder



Series

GDWLX - Vertical PCB Mount Modular Jack

Shield Option

PNS - Shielded

Number of Positions/Contacts

88 - 8 Positions / 8 Contacts

LED Color

G/G - Green, Green

G/GY - Green, Green - Yellow

G/R - Green, Red

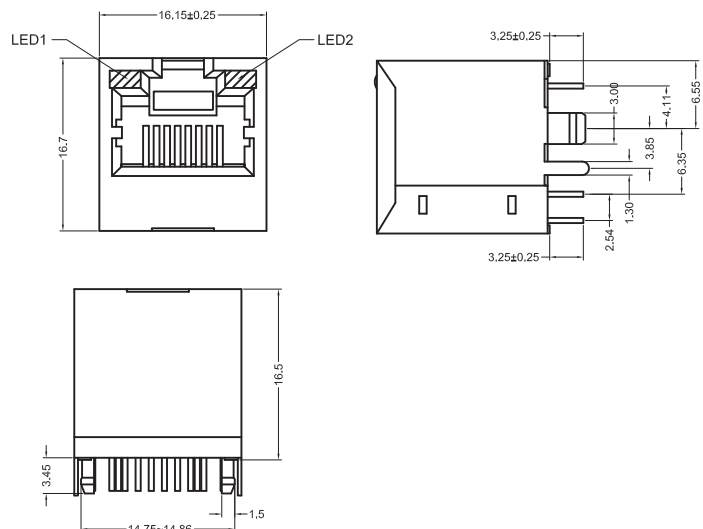
G/Y - Green, Yellow

Y/G - Green, Yellow

Contact Kycon for Other Options

GDWLX Series

Dimensions in mm



Looking for pricing, stock, or lifecycle information?

Click below to explore more details on WIN SOURCE:

 [View GDWLX-PNS-88-G/Y on WIN SOURCE](#)

 [Kycon, Inc. Information](#)

Optimize Your Supply Chain with WIN SOURCE Solutions

-  Global Sourcing Solution
-  Obsolete Management
-  Cost Control Management
-  Shortage Management
-  Alternative Solution
-  Excess Inventory Management