



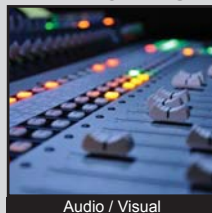
**THE DATASHEET OF
TL1265GQSCLR**



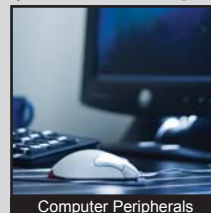
ANTI-VANDAL SWITCHES
 DETECTOR SWITCHES
 DIP SWITCHES
 KEYLOCK SWITCHES
 NAVIGATION SWITCHES
 PUSHBUTTON SWITCHES
 ROCKER SWITCHES
 ROTARY SWITCHES
 SLIDE SWITCHES
 SNAP ACTION SWITCHES
 TACTILE SWITCHES
 TOGGLE SWITCHES
 CAP OPTIONS



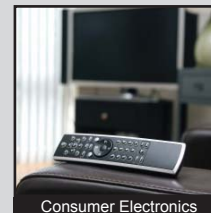
APPLICATIONS / MARKETS



Audio / Visual



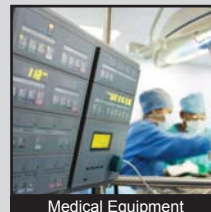
Computer Peripherals



Consumer Electronics



Instrumentation



Medical Equipment



Telecommunication

RoHS

SPECIFICATIONS

Electrical Rating: 50mA 12VDC
Life Expectancy: 500,000 Cycles
Contact Resistance: 100mΩ Max.
Insulation Resistance: 100MΩ Min. at 500VDC
Dielectric Strength: 500VDC for 1 Minute
Operating Temperature: -20°C to 70°C
Operating Force: 160gf ± 50gf
Travel: 0.20mm ± 0.10mm

Function: SPST, Off-(On), Momentary

FEATURES & BENEFITS

- 500,000 cycle life expectancy
- Multiple cap options
- Illumination options

PART NUMBER CONFIGURATOR

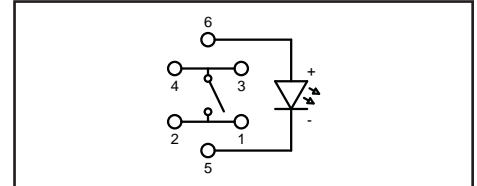
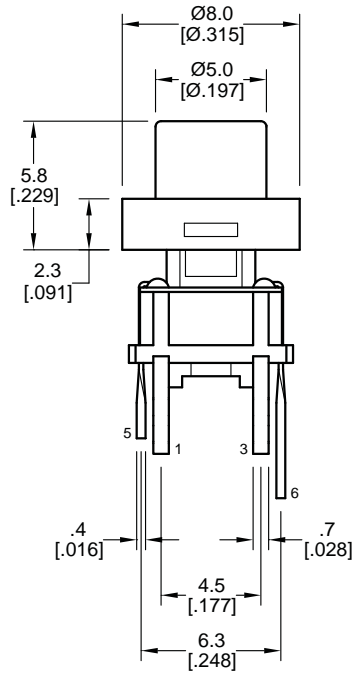
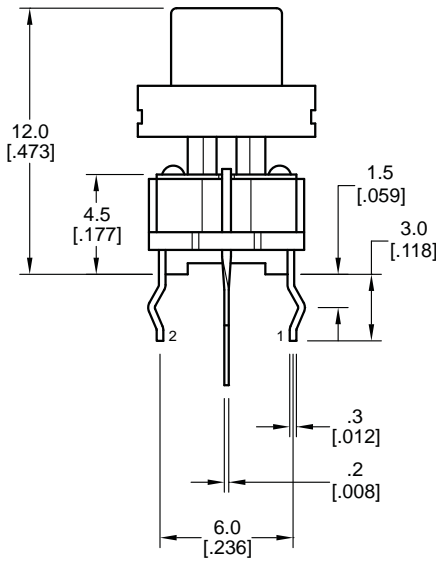
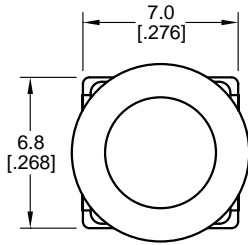
Series	Model	LED Option	Contact Material	Cap Option	Cap Color
TL	1265	A - None B - Blue R - Red G - Green Y - Yellow W - White	Q - Silver	R - 8mm Diameter, Round Flat S - 5mm Diameter, Round T - 4.7mm Diameter, Round N - No Cap	BLK - Black *GRN - Green *RED - Red *GRY - Gray *YEL - Yellow **CLR - Clear

* Available in "R" cap option only
 ** "CLR" cap not available in "R" cap option

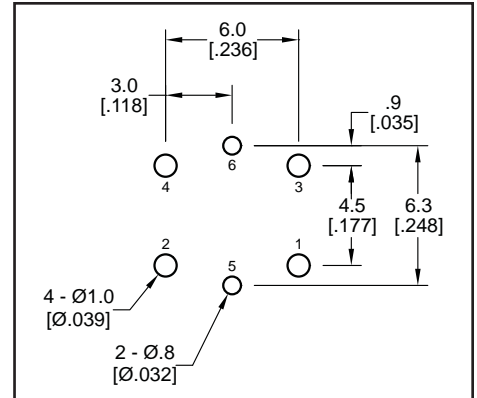
Specifications subject to change without notice



BODY DIMENSIONS



SCHEMATIC



PCB LAYOUT

LED SPECIFICATIONS

LED Specifications			
Color	Forward Current mA (Nom.)	Forward Voltage Voltage at 20mA (Typ-Max)	Luminous Intensity mcd (Typ.) at 20mA
Red	20	1.95 - 2.5	1800
Blue	20	2.9 - 4.0	150
Green	20	2.1 - 2.5	800
Yellow	20	2.0 - 2.5	1800
White	20	3.2 - 4.0	150



Looking for pricing, stock, or lifecycle information?

Click below to explore more details on WIN SOURCE:

 [View TL1265GQSCLR on WIN SOURCE](#)

 [E-SWITCH](#) Information

Optimize Your Supply Chain with WIN SOURCE Solutions

-  Global Sourcing Solution
-  Obsolete Management
-  Cost Control Management
-  Shortage Management
-  Alternative Solution
-  Excess Inventory Management