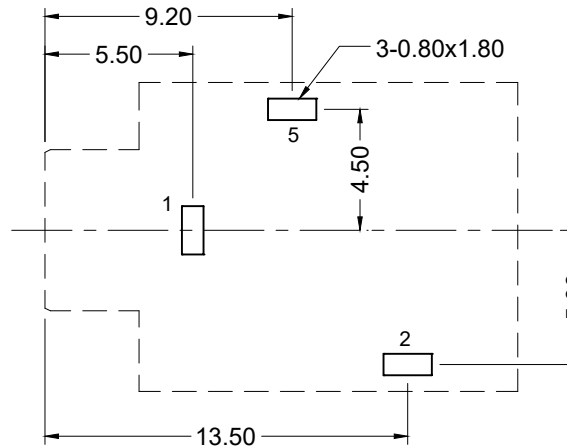
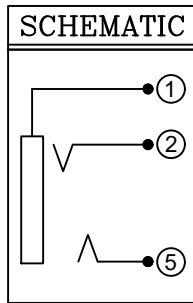
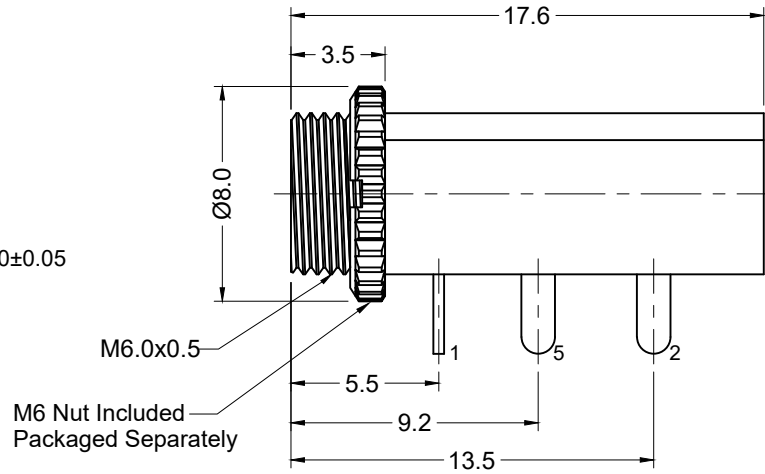
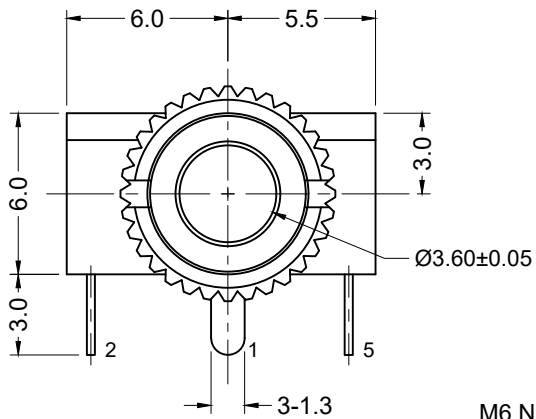




**THE DATASHEET OF  
STX-3081-3C**





Recommended PCB Layout  
(Bottom View)

**Materials and Finish**

Housing: PBT Thermoplastic  
15% Glass Filled, Black Color  
UL 94V-0 Rated

Terminals: Copper Alloy  
Matte Tin Plating

Barrel: Brass, Nickel Plated

**Electrical Characteristics**

Rated Voltage:  
DC 24 V

Rated Current:  
3.0 A

Contact Resistance:  
Before Test: 50 milliohms max.  
After Durability Test:  
100 milliohms max.

Insulation Resistance:  
More than 100 Megohms  
at 500V DC

Dielectric Strength:  
500V AC RMS for 1 minute

Operating Temp:  
-40°C to +105°C

**Mechanical Characteristics**

Insertion Force:  
0.3kg - 3.0kg

Extraction Force:  
0.3kg - 3.0kg

Durability:  
5000 Mating Cycles Min.

Tolerances

X.X ± 0.3  
X.XX ± 0.15  
Unless Stated  
Otherwise

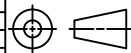
**RoHS COMPLIANT**

REV.	DATE	DESCRIPTION	REV. BY	CHK. BY	DRAWN BY	DATE
A1	6/2/06	Release Drawing	H. MA	N/A	R. Aguirre	07/11/05
A2	6/2/08	Add Nut Info.	S. Vien	H. MA		
B1	08/04/09	ECO #09-045	S. Vien	H. MA		
B2	07/27/11	ECO #11-049	S. Vien	H. MA		
B3	08/14/18	Update Address	D. Shehan	N/A		
B4	04/22/19	ECO #19-035	C. Kelleher	D. Shehan		

**STX-3081-3C**

Low Profile Stereo Jack, RoHS Compliant

3 Position, Metal Bushing, Threaded Barrel



UNITS  
mm

## Looking for pricing, stock, or lifecycle information?

Click below to explore more details on WIN SOURCE:

 [View STX-3081-3C on WIN SOURCE](#)

 [Kycon, Inc. Information](#)

## Optimize Your Supply Chain with WIN SOURCE Solutions

-  Global Sourcing Solution
-  Obsolete Management
-  Cost Control Management
-  Shortage Management
-  Alternative Solution
-  Excess Inventory Management