



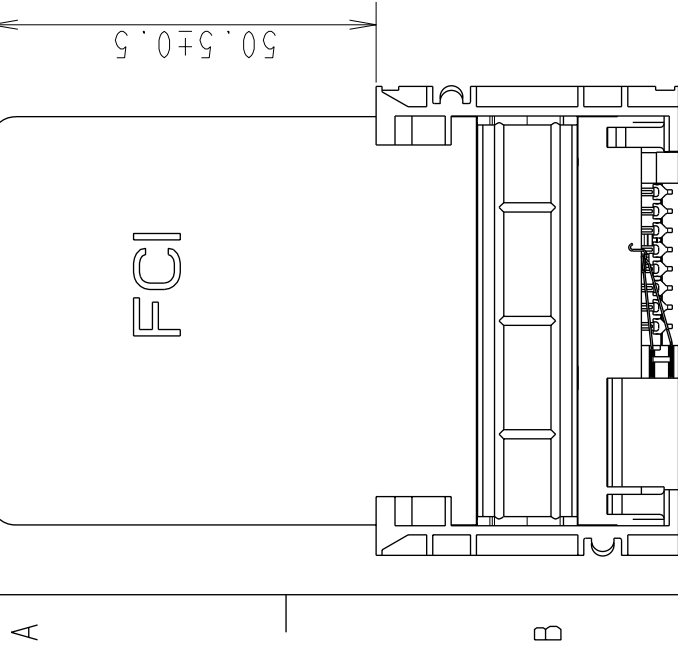
THE DATASHEET OF
7334L2622F04LF



7334L2622F04LF

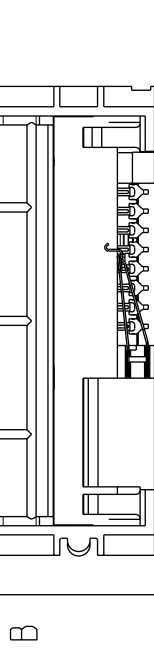
Catalogue Part Number Key

Lead Free Version (Optional)

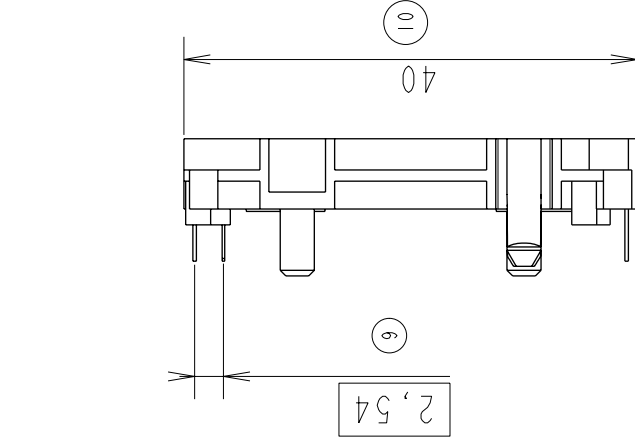
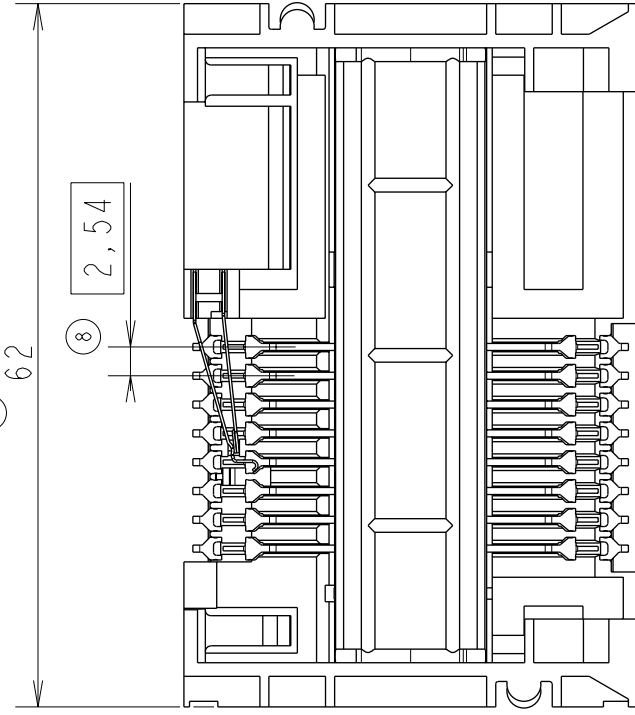
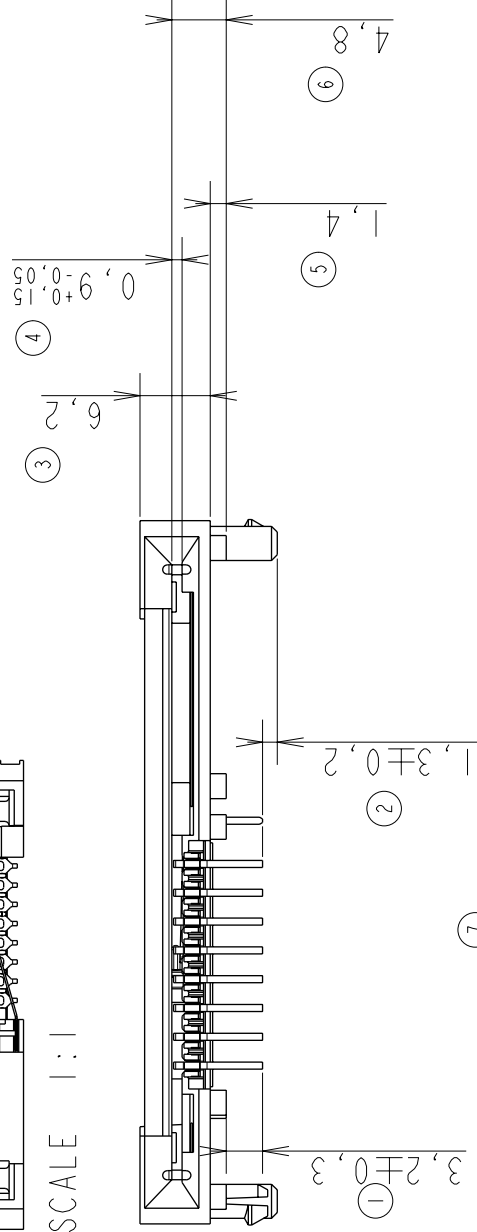


Durability
 0: 2500 Mating Cycles
 2: 10000 Mating Cycles
 5: 100000 Mating Cycles

Number of contacts :
 2: 8 contacts ISO
 3: 16 contacts ISO + AFNOR



SCALE 1:1



| litr | ecn no | dr | date |
|------|----------|-----|------------|
| A | F20307 | DLE | 2002/04/30 |
| B | I05-0071 | DTK | 2005/06/25 |
| C | I06-0054 | SSC | 2006/05/08 |
| D | I06-0189 | SSC | 2006/10/17 |
| E | I07-0018 | SSC | 2007/02/07 |
| F | I09-0057 | SSC | 2009/04/15 |

| Dr | N. TWINCY | 2002/04/30 |
|------|---------------|------------|
| Eng | F. TISSERAND | 2002/04/30 |
| Chr | RAMESH. P. K | 2009/04/15 |
| Appr | S. S. CHERIAN | 2009/04/15 |

| AM | 2002/04/30 |
|------------|------------|
| 2002/04/30 | |
| 2009/04/15 | |
| 2009/04/15 | |



L26 TYPE F04

catalog no

REV F - 2006-04-17

GENERAL:
 This L26 connector uses
 for most applications.
 It has been designed for

ELECTRICAL PROPERTIES:
 Insulation resistance
 Dielectric withstanding
 Current carrying capacity
 Contact resistance
 Card sensor type

MECHANICAL PROPERTIES:
 Contact Normal force :
 Insertion force :
 Extraction force :

MATERIAL:
 Housing : Thermoplastics
 Contacts and switch :
 Plating : Gold over Ni
 Matte Tin over
 Bare edge at

ENVIRONMENT:
 Operating temperature :
 Storage temperature :
 Printed Circuit Board

REFERENCE DOCUMENTS:
 Product specification
 Packaging Specification

LEAD FREE VERSION:

"This product meets European Union regulations as described in GS-22"

The housing will withstand exposure in a wave solder application with Use protective adhesive tape (Kapton) devices on the areas which are directed in classical leaded wave soldering

www.fciconnect.com

| Dr | N. TWINCY | 2002/04/30 |
|------|---------------|------------|
| Eng | F. TISSERAND | 2002/04/30 |
| Chr | RAMESH. P. K | 2009/04/15 |
| Appr | S. S. CHERIAN | 2009/04/15 |

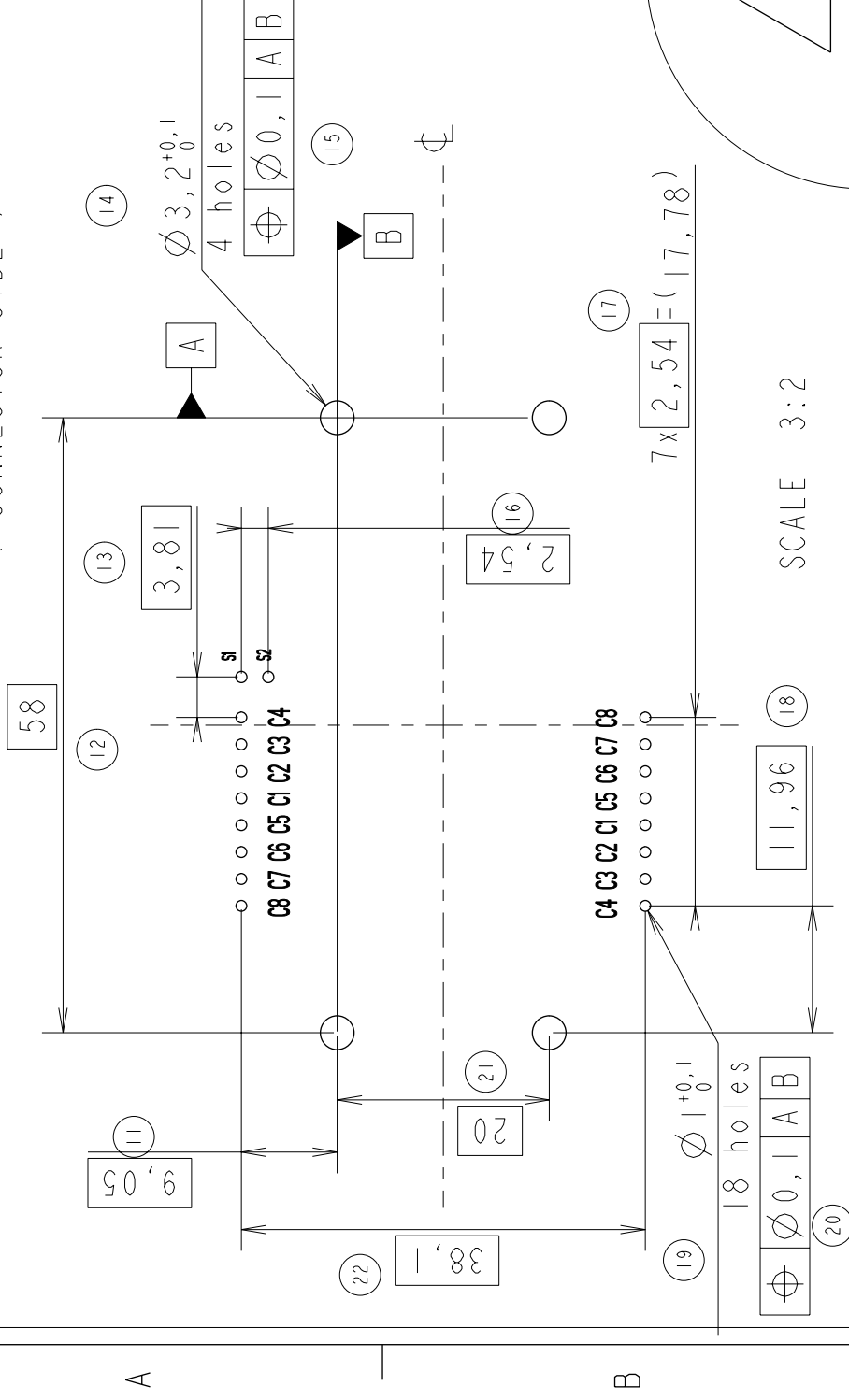


L26 TYPE F04

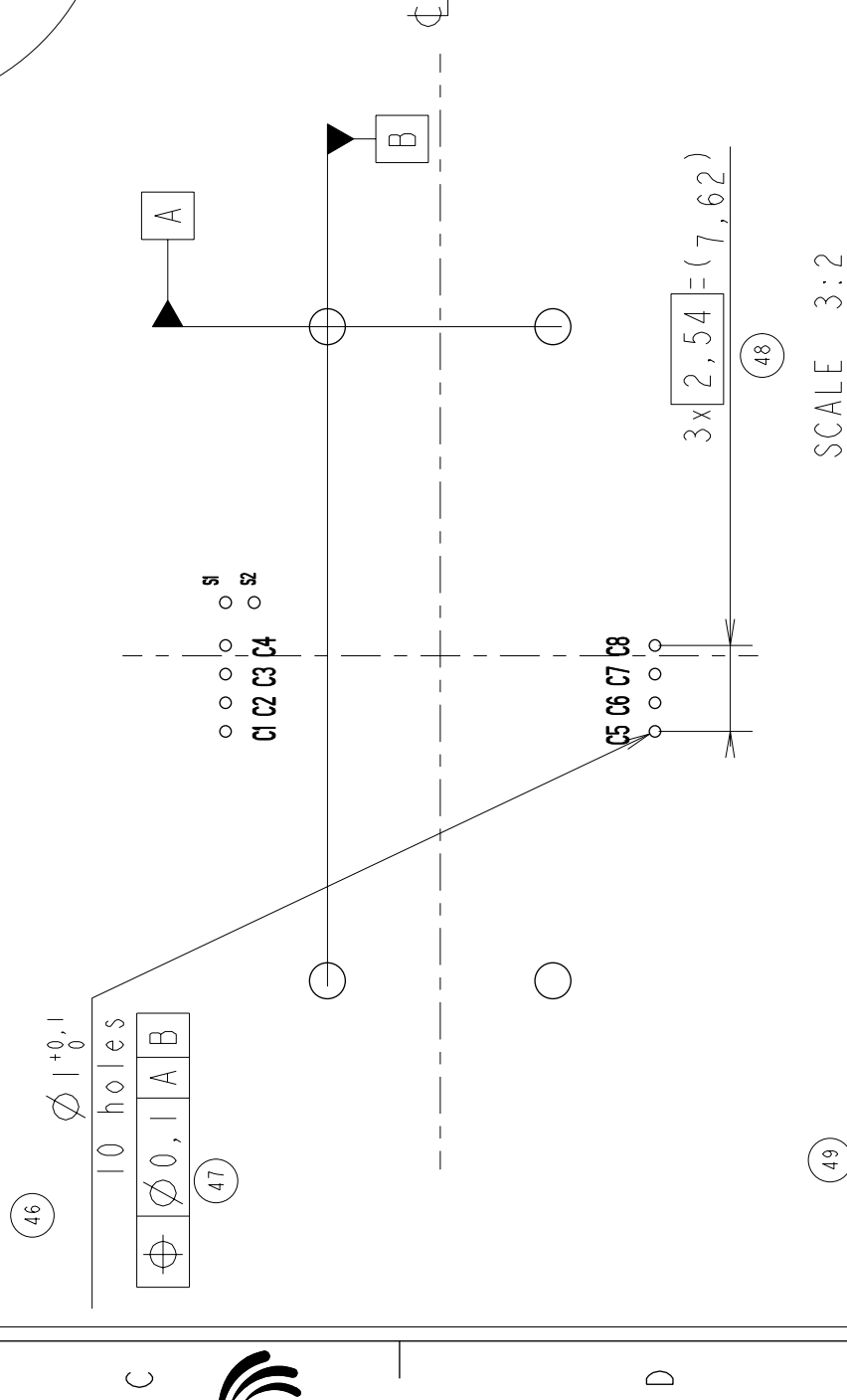
catalog no

REV F - 2006-04-17

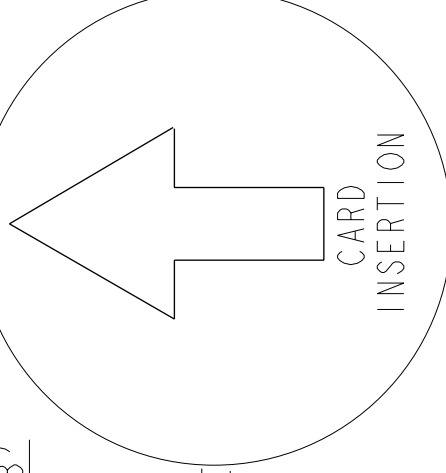
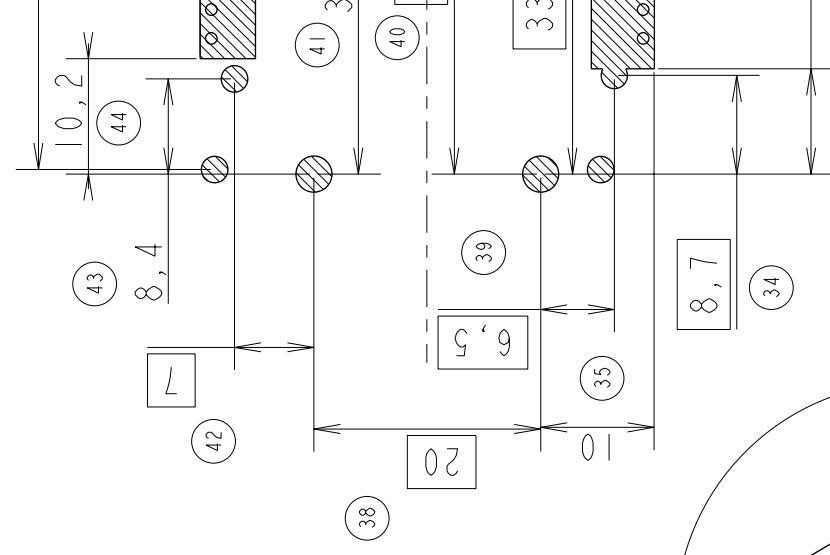
RECOMMENDED PCB LAYOUT CONTACT CONFIGURATION : ISO & AFNOR
(CONNECTOR SIDE)



RECOMMENDED PCB LAYOUT CONTACT CONFIGURATION : ISO
(CONNECTOR SIDE)



STANDARD LAYOUT FOR



| | | | |
|--------------------|------|-------------|------------|
| www.fciconnect.com | Dr | N.TWINCY | 2002/04/30 |
| | Eng | F.TISSERAND | 2002/04/30 |
| | Chr | RAMESH.P.K | 2009/04/15 |
| | Appr | S.S.CHERIAN | 2009/04/15 |

FCI

L26 TYPE F04

catalog no

Looking for pricing, stock, or lifecycle information?

Click below to explore more details on WIN SOURCE:

 [View 7334L2622F04LF](#) on WIN SOURCE

 [Amphenol](#) Information

Optimize Your Supply Chain with WIN SOURCE Solutions

-  Global Sourcing Solution
-  Obsolete Management
-  Cost Control Management
-  Shortage Management
-  Alternative Solution
-  Excess Inventory Management