



# RF LDMOS Wideband Integrated Power Amplifiers

The MD71C2251N wideband integrated circuit is designed with on-chip matching that makes it usable from 2110–2170 MHz. This multi-stage structure is rated for 26 to 32 volt operation and covers all typical cellular base station modulation formats.

- Typical Doherty Single-Carrier W-CDMA Characterization Performance:  
 $V_{DD} = 28$  Volts,  $I_{DQ1(A+B)} = 80$  mA,  $I_{DQ2A} = 260$  mA,  $V_{GS2B} = 1.4$  Vdc,  
 $P_{out} = 12$  Watts Avg., IQ Magnitude Clipping, Channel Bandwidth = 3.84 MHz,  
 Input Signal PAR = 9.9 dB @ 0.01% Probability on CCDF.

Frequency	$G_{ps}$ (dB)	PAE (%)	Output PAR (dB)	ACPR (dBc)
2110 MHz	28.8	38.2	7.1	-34.6
2140 MHz	29.0	37.9	7.1	-36.2
2170 MHz	29.2	37.4	6.9	-36.1

- Capable of Handling 10:1 VSWR, @ 32 Vdc, 2140 MHz, 63 Watts CW Output Power (3 dB Input Overdrive from Rated  $P_{out}$ )
- Typical  $P_{out}$  @ 3 dB Compression Point  $\approx$  58 Watts (1)

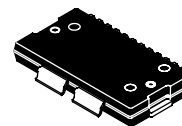
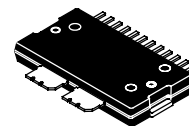
### Features

- 100% PAR Tested for Guaranteed Output Power Capability
- Production Tested in a Symmetrical Doherty Configuration
- Characterized with Large-Signal Load-Pull Parameters and Common Source S-Parameters
- On-Chip Matching (50 Ohm Input, DC Blocked)
- Integrated Quiescent Current Temperature Compensation with Enable/Disable Function (2)
- Integrated ESD Protection
- 225°C Capable Plastic Package
- In Tape and Reel. R1 Suffix = 500 Units, 44 mm Tape Width, 13 inch Reel.

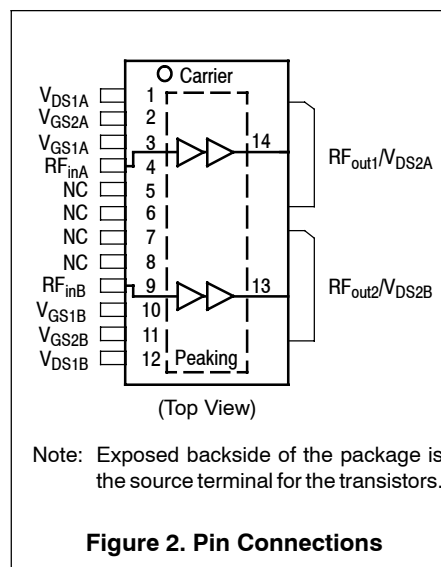
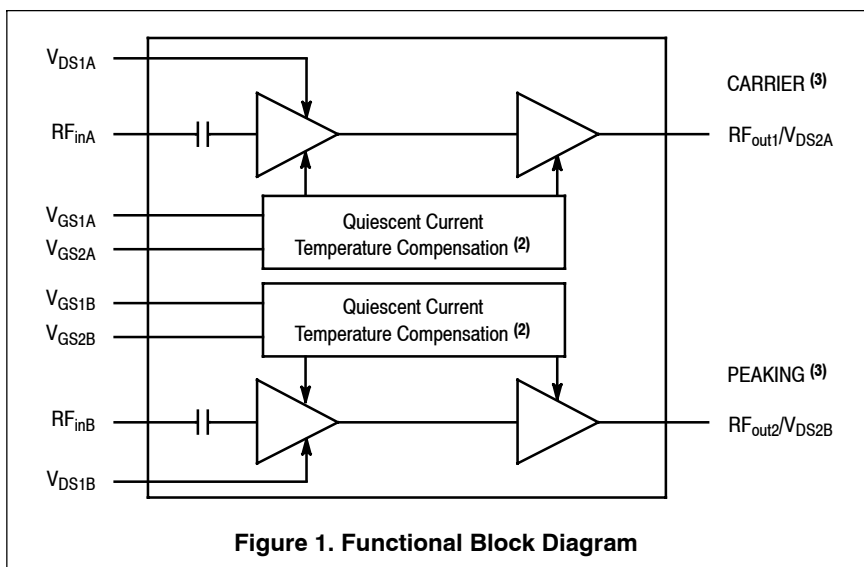
## MD71C2251NR1 MD71C2251G NR1

**2110–2170 MHz, 12 W AVG., 28 V  
 SINGLE W-CDMA  
 RF LDMOS WIDEBAND  
 INTEGRATED POWER AMPLIFIERS**

TO-270 WB-14  
 PLASTIC  
 MD71C2251NR1



TO-270 WB-14 GULL  
 PLASTIC  
 MD71C2251G NR1



1.  $P_{3dB} = P_{avg} + 7.0$  dB where  $P_{avg}$  is the average output power measured using an unclipped W-CDMA single-carrier input signal where output PAR is compressed to 7.0 dB @ 0.01% probability on CCDF.  
 2. Refer to AN1977, *Quiescent Current Thermal Tracking Circuit in the RF Integrated Circuit Family* and to AN1987, *Quiescent Current Control for the RF Integrated Circuit Device Family*. Go to <http://www.freescale.com/rf>. Select Documentation/Application Notes - AN1977 or AN1987.  
 3. Peaking and Carrier orientation is determined by the test fixture design.

**Table 1. Maximum Ratings**

Rating	Symbol	Value	Unit
Drain-Source Voltage	$V_{DS}$	-0.5, +65	Vdc
Gate-Source Voltage	$V_{GS}$	-0.5, +10	Vdc
Operating Voltage	$V_{DD}$	32, +0	Vdc
Storage Temperature Range	$T_{stg}$	-65 to +150	°C
Case Operating Temperature	$T_C$	150	°C
Operating Junction Temperature (1,2)	$T_J$	225	°C
Input Power	$P_{in}$	28	dBm

**Table 2. Thermal Characteristics**

Characteristic	Symbol	Value (2,3)	Unit
----------------	--------	-------------	------

**Final Doherty Application**

Thermal Resistance, Junction to Case	$R_{\theta JC}$		°C/W
Case Temperature 78°C, $P_{out} = 12$ W CW			
Stage 1, 28 Vdc, $I_{DQ1(A+B)} = 80$ mA		4.8	
Stage 2, 28 Vdc, $I_{DQ2A} = 260$ mA, $V_{GS2B} = 1.4$ Vdc		1.5	
Case Temperature 89°C, $P_{out} = 50$ W CW			
Stage 1, 28 Vdc, $I_{DQ1(A+B)} = 80$ mA		3.7	
Stage 2, 28 Vdc, $I_{DQ2A} = 260$ mA, $V_{GS2B} = 1.4$ Vdc		1.0	

**Table 3. ESD Protection Characteristics**

Test Methodology	Class
Human Body Model (per JESD22-A114)	1A
Machine Model (per EIA/JESD22-A115)	A
Charge Device Model (per JESD22-C101)	II

**Table 4. Moisture Sensitivity Level**

Test Methodology	Rating	Package Peak Temperature	Unit
Per JESD22-A113, IPC/JEDEC J-STD-020	3	260	°C

**Table 5. Electrical Characteristics** ( $T_A = 25^\circ\text{C}$  unless otherwise noted)

Characteristic	Symbol	Min	Typ	Max	Unit
----------------	--------	-----	-----	-----	------

**Stage 1 - Off Characteristics (4)**

Zero Gate Voltage Drain Leakage Current ( $V_{DS} = 65$ Vdc, $V_{GS} = 0$ Vdc)	$I_{DSS}$	—	—	10	$\mu\text{Adc}$
Zero Gate Voltage Drain Leakage Current ( $V_{DS} = 28$ Vdc, $V_{GS} = 0$ Vdc)	$I_{DSS}$	—	—	1	$\mu\text{Adc}$
Gate-Source Leakage Current ( $V_{GS} = 1.5$ Vdc, $V_{DS} = 0$ Vdc)	$I_{GSS}$	—	—	1	$\mu\text{Adc}$

**Stage 1 - On Characteristics (4)**

Gate Threshold Voltage ( $V_{DS} = 10$ Vdc, $I_D = 23$ $\mu\text{Adc}$ )	$V_{GS(th)}$	1.2	2.0	2.7	Vdc
Gate Quiescent Voltage ( $V_{DS} = 28$ Vdc, $I_{DQ1(A+B)} = 80$ mAdc)	$V_{GS(Q)}$	—	2.7	—	Vdc
Fixture Gate Quiescent Voltage ( $V_{DD} = 28$ Vdc, $I_{DQ1(A+B)} = 80$ mAdc, Measured in Functional Test)	$V_{GG(Q)}$	6.0	7.0	8.0	Vdc

1. Continuous use at maximum temperature will affect MTTF.
2. MTTF calculator available at <http://www.freescale.com/rf>. Select Software & Tools/Development Tools/Calculators to access MTTF calculators by product.
3. Refer to AN1955, *Thermal Measurement Methodology of RF Power Amplifiers*. Go to <http://www.freescale.com/rf>. Select Documentation/Application Notes - AN1955.
4. Each side of device measured separately.

(continued)

**Table 5. Electrical Characteristics** ( $T_A = 25^\circ\text{C}$  unless otherwise noted) (continued)

Characteristic	Symbol	Min	Typ	Max	Unit
<b>Stage 2 - Off Characteristics</b> (1)					
Zero Gate Voltage Drain Leakage Current ( $V_{DS} = 65\text{ Vdc}$ , $V_{GS} = 0\text{ Vdc}$ )	$I_{DSS}$	—	—	10	$\mu\text{Adc}$
Zero Gate Voltage Drain Leakage Current ( $V_{DS} = 28\text{ Vdc}$ , $V_{GS} = 0\text{ Vdc}$ )	$I_{DSS}$	—	—	1	$\mu\text{Adc}$
Gate-Source Leakage Current ( $V_{GS} = 1.5\text{ Vdc}$ , $V_{DS} = 0\text{ Vdc}$ )	$I_{GSS}$	—	—	1	$\mu\text{Adc}$

**Stage 2 - On Characteristics** (1)

Gate Threshold Voltage ( $V_{DS} = 10\text{ Vdc}$ , $I_D = 150\ \mu\text{Adc}$ )	$V_{GS(th)}$	1.2	2.0	2.7	Vdc
Gate Quiescent Voltage ( $V_{DS} = 28\text{ Vdc}$ , $I_{DQ2A} = 260\text{ mAdc}$ )	$V_{GSA(Q)}$	—	2.7	—	Vdc
Fixture Gate Quiescent Voltage ( $V_{DD} = 28\text{ Vdc}$ , $I_{DQ2A} = 260\text{ mAdc}$ , Measured in Functional Test)	$V_{GGA(Q)}$	5.5	6.3	7.5	Vdc
Drain-Source On-Voltage ( $V_{GS} = 10\text{ Vdc}$ , $I_D = 1\text{ Adc}$ )	$V_{DS(on)}$	0.1	0.24	1.2	Vdc

**Functional Tests** (2,3,4) (In Freescale Doherty Production Test Fixture, 50 ohm system)  $V_{DD} = 28\text{ Vdc}$ ,  $I_{DQ1(A+B)} = 80\text{ mA}$ ,  $I_{DQ2A} = 260\text{ mA}$ ,  $V_{GS2B} = 1.4\text{ Vdc}$ ,  $P_{out} = 12\text{ W Avg.}$ ,  $f = 2140\text{ MHz}$ , Single-Carrier W-CDMA, IQ Magnitude Clipping, Input Signal PAR = 9.9 dB @ 0.01% Probability on CCDF. ACPR measured in 3.84 MHz Channel Bandwidth @  $\pm 5\text{ MHz}$  Offset.

Power Gain	$G_{ps}$	27.6	28.2	32.0	dB
Power Added Efficiency	PAE	33.5	36.9	—	%
Output Peak-to-Average Ratio @ 0.01% Probability on CCDF	PAR	6.2	6.6	—	dB
Adjacent Channel Power Ratio	ACPR	—	-34.2	-31.5	dBc

**Typical Broadband Performance** (In Freescale Doherty Characterization Test Fixture, 50 ohm system)  $V_{DD} = 28\text{ Vdc}$ ,  $I_{DQ1(A+B)} = 80\text{ mA}$ ,  $I_{DQ2A} = 260\text{ mA}$ ,  $V_{GS2B} = 1.4\text{ Vdc}$ ,  $P_{out} = 12\text{ W Avg.}$ , Single-Carrier W-CDMA, IQ Magnitude Clipping, Input Signal PAR = 9.9 dB @ 0.01% Probability on CCDF. ACPR measured in 3.84 MHz Channel Bandwidth @  $\pm 5\text{ MHz}$  Offset.

Frequency	$G_{ps}$ (dB)	PAE (%)	Output PAR (dB)	ACPR (dBc)
2110 MHz	28.8	38.2	7.1	-34.6
2140 MHz	29.0	37.9	7.1	-36.2
2170 MHz	29.2	37.4	6.9	-36.1

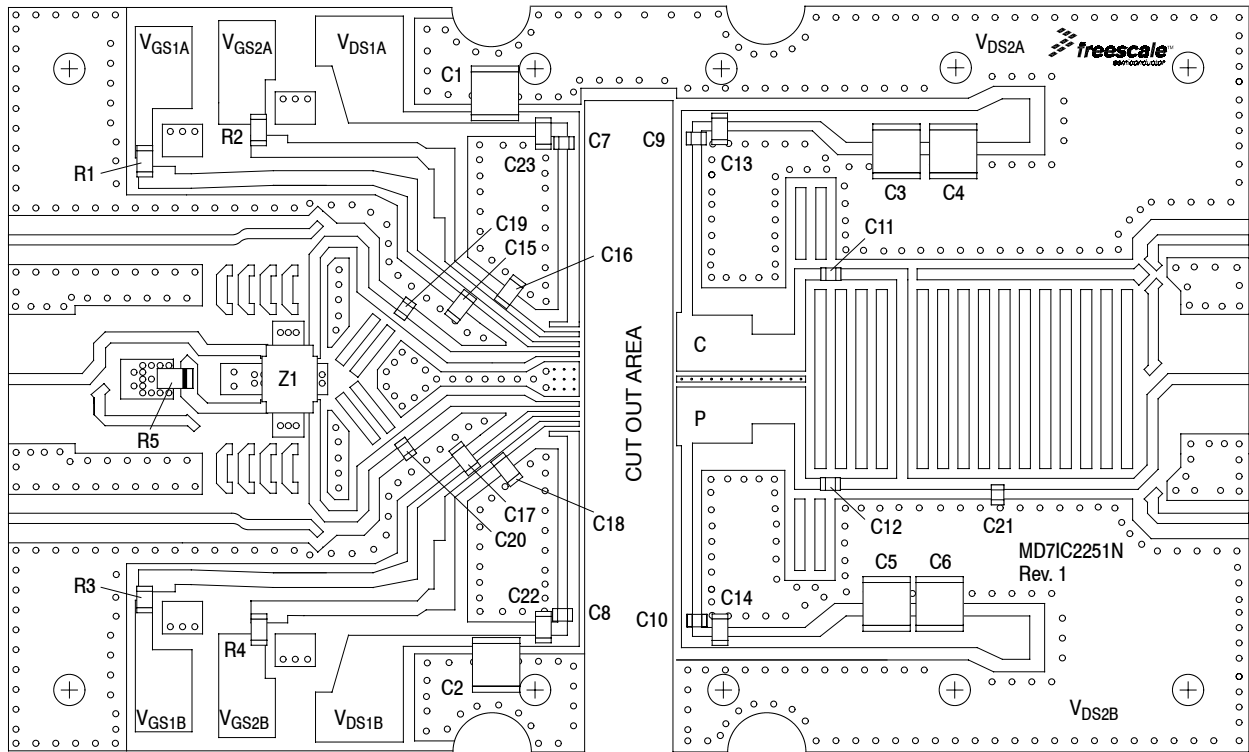
- Each side of device measured separately.
- Part internally matched both on input and output.
- Measurement made with device in a Symmetrical Doherty configuration.
- Measurement made with device in straight lead configuration before any lead forming operation is applied.

(continued)

**Table 5. Electrical Characteristics** ( $T_A = 25^\circ\text{C}$  unless otherwise noted) **(continued)**

Characteristic	Symbol	Min	Typ	Max	Unit
<b>Typical Performances</b> <sup>(1)</sup> (In Freescale Doherty Test Fixture, 50 ohm system) $V_{DD} = 28\text{ Vdc}$ , $I_{DQ1(A+B)} = 80\text{ mA}$ , $I_{DQ2A} = 260\text{ mA}$ , $V_{GS2B} = 1.4\text{ Vdc}$ , 2110–2170 MHz Bandwidth					
$P_{out}$ @ 1 dB Compression Point, CW	P1dB	—	40	—	W
$P_{out}$ @ 3 dB Compression Point <sup>(2)</sup>	P3dB	—	58	—	W
IMD Symmetry @ 18 W PEP, $P_{out}$ where IMD Third Order Intermodulation $\cong 30\text{ dBc}$ (Delta IMD Third Order Intermodulation between Upper and Lower Sidebands $> 2\text{ dB}$ )	IMD <sub>sym</sub>	—	25	—	MHz
VBW Resonance Point (IMD Third Order Intermodulation Inflection Point)	VBW <sub>res</sub>	—	65	—	MHz
Quiescent Current Accuracy over Temperature with 4.7 k $\Omega$ Gate Feed Resistors ( $-30$ to $85^\circ\text{C}$ ) <sup>(3)</sup>	$\Delta I_{QT}$	—	1.5 5.0	—	% %
Gain Flatness in 60 MHz Bandwidth @ $P_{out} = 12\text{ W Avg.}$	$G_F$	—	0.2	—	dB
Gain Variation over Temperature ( $-30^\circ\text{C}$ to $+85^\circ\text{C}$ )	$\Delta G$	—	0.028	—	dB/ $^\circ\text{C}$
Output Power Variation over Temperature ( $-30^\circ\text{C}$ to $+85^\circ\text{C}$ )	$\Delta P1\text{dB}$	—	0.028	—	dB/ $^\circ\text{C}$

1. Measurement made with device in a Symmetrical Doherty configuration.
2.  $P3\text{dB} = P_{avg} + 7.0\text{ dB}$  where  $P_{avg}$  is the average output power measured using an unclipped W-CDMA single-carrier input signal where output PAR is compressed to 7.0 dB @ 0.01% probability on CCDF.
3. Refer to AN1977, *Quiescent Current Thermal Tracking Circuit in the RF Integrated Circuit Family* and to AN1987, *Quiescent Current Control for the RF Integrated Circuit Device Family*. Go to <http://www.freescale.com/rf>. Select Documentation/Application Notes - AN1977 or AN1987.



**Figure 3. MD7IC2251NR1(GNR1) Production Test Circuit Component Layout**

**Table 6. MD7IC2251NR1(GNR1) Production Test Circuit Component Designations and Values**

Part	Description	Part Number	Manufacturer
C1, C2, C3, C4, C5, C6	10 $\mu$ F Chip Capacitors	GRM55DR61H106KA88L	Murata
C7, C8	4.7 pF Chip Capacitors	ATC600F4R7BT250XT	ATC
C9, C10	5.6 pF Chip Capacitors	ATC600F5R6BT250XT	ATC
C11, C12	39 pF Chip Capacitors	ATC600F390JT250XT	ATC
C13, C14, C15, C16, C17, C18	4.7 $\mu$ F Chip Capacitors	GRM31CR71H475KA12L	Murata
C19, C20	0.5 pF Chip Capacitors	ATC600F0R5BT250XT	ATC
C21	0.9 pF Chip Capacitor	ATC600F0R9BT250XT	ATC
C22, C23	1.0 $\mu$ F Chip Capacitors	GRM31CR71H105KA12L	Murata
R1, R2, R3, R4	4.7 k $\Omega$ , 1/4 W Chip Resistors	CRCW12064K70FKEA	Vishay
R5	50 $\Omega$ , 10 W, Termination	RFP-06012A15Z50	Anaren
Z1	2100–2200 MHz, 90°, 3 dB Chip Hybrid Coupler	GSC355-HYB2150	Soshin
PCB	0.020", $\epsilon_r = 3.5$	RF-35A2	Taconic

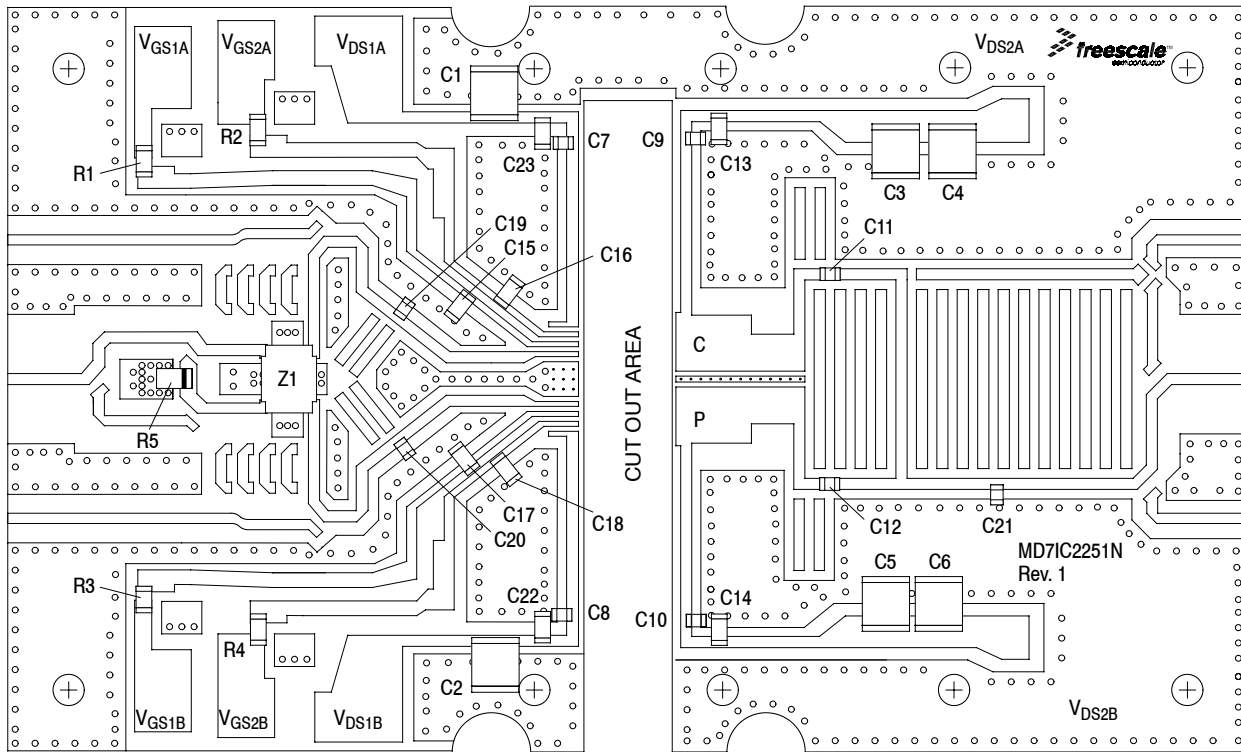
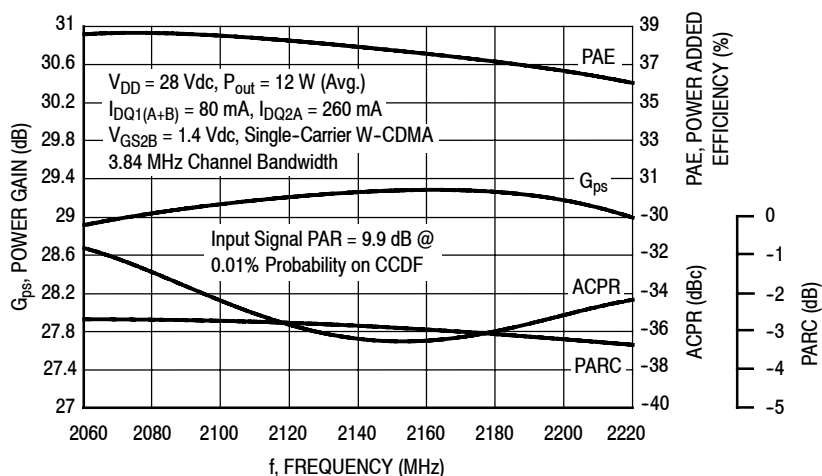


Figure 4. MD7IC2251NR1(GNR1) Characterization Test Circuit Component Layout

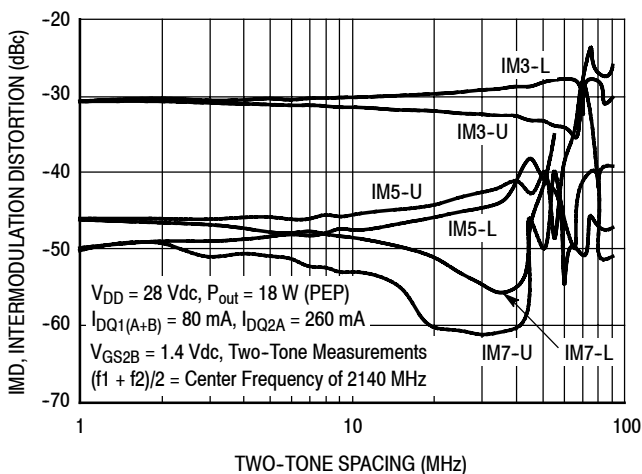
Table 7. MD7IC2251NR1(GNR1) Characterization Test Circuit Component Designations and Values

Part	Description	Part Number	Manufacturer
C1, C2, C3, C4, C5, C6	10 $\mu$ F Chip Capacitors	GRM55DR61H106KA88L	Murata
C7, C8	4.7 pF Chip Capacitors	ATC600F4R7BT250XT	ATC
C9, C10	5.6 pF Chip Capacitors	ATC600F5R6BT250XT	ATC
C11, C12	39 pF Chip Capacitors	ATC600F390JT250XT	ATC
C13, C14, C15, C16, C17, C18	4.7 $\mu$ F Chip Capacitors	GRM31CR71H475KA12L	Murata
C19, C20	0.5 pF Chip Capacitors	ATC600F0R5BT250XT	ATC
C21	0.9 pF Chip Capacitor	ATC600F0R9BT250XT	ATC
C22, C23	1.0 $\mu$ F Chip Capacitors	GRM31CR71H105KA12L	Murata
R1, R2, R3, R4	4.7 k $\Omega$ , 1/4 W Chip Resistors	CRCW12064K70FKEA	Vishay
R5	50 $\Omega$ , 10 W, Termination	RFP-06012A15Z50	Anaren
Z1	2100–2200 MHz, 90°, 3 dB Chip Hybrid Coupler	GSC355-HYB2150	Soshin
PCB	0.020", $\epsilon_r = 3.5$	RF-35A2	Taconic

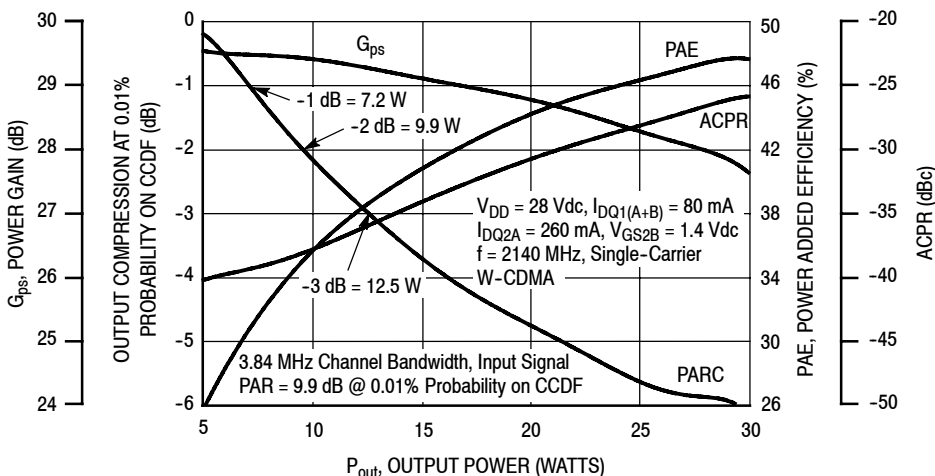
### TYPICAL CHARACTERISTICS



**Figure 5. Output Peak-to-Average Ratio Compression (PARC) Broadband Performance @  $P_{out} = 12$  Watts Avg.**

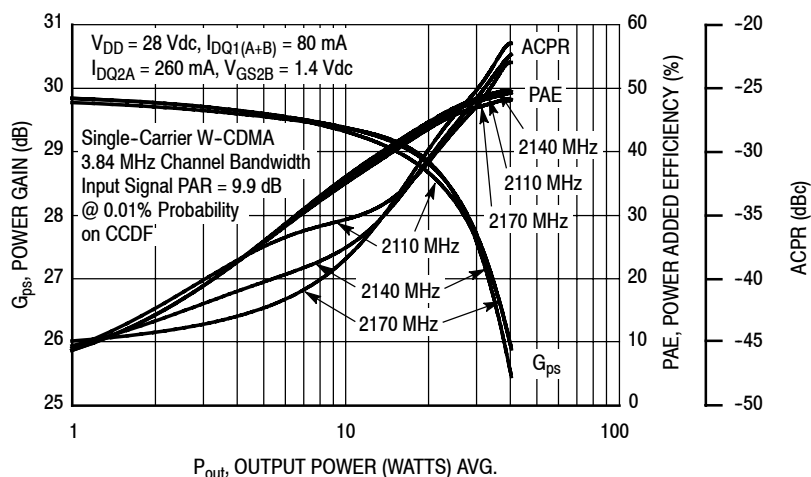


**Figure 6. Intermodulation Distortion Products versus Two-Tone Spacing**

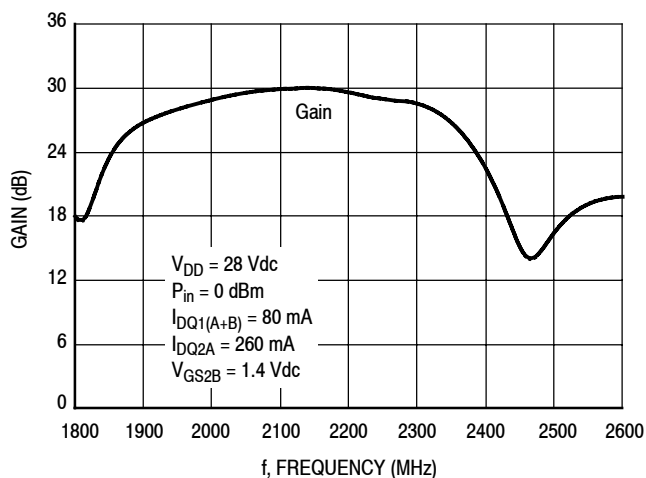


**Figure 7. Output Peak-to-Average Ratio Compression (PARC) versus Output Power**

### TYPICAL CHARACTERISTICS

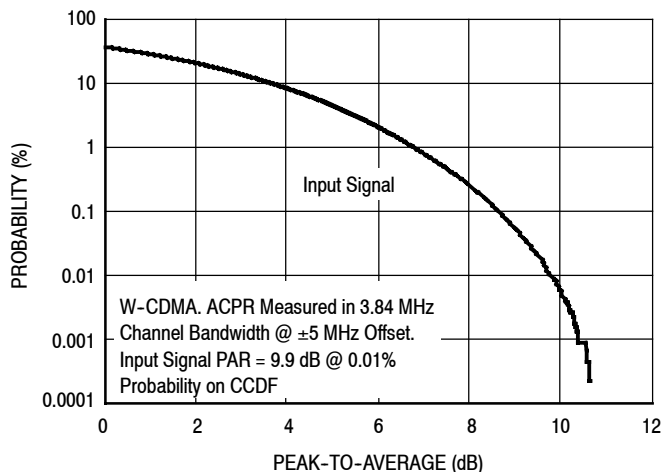


**Figure 8. Single-Carrier W-CDMA Power Gain, Power Added Efficiency and ACPR versus Output Power**

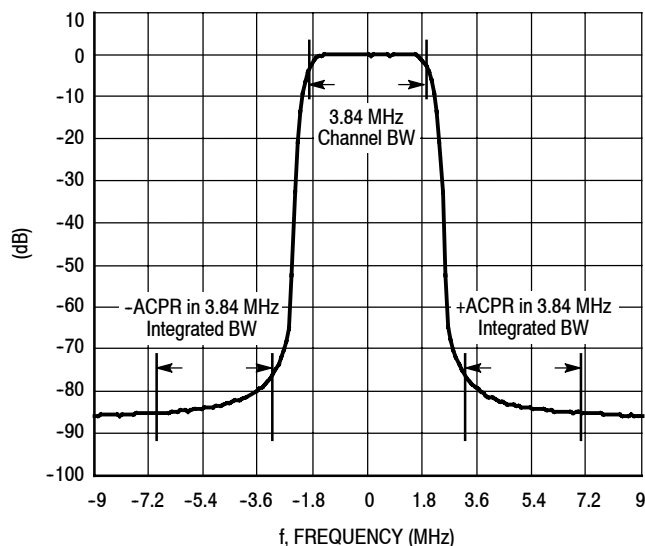


**Figure 9. Broadband Frequency Response**

### W-CDMA TEST SIGNAL



**Figure 10. CCDF W-CDMA IQ Magnitude Clipping, Single-Carrier Test Signal**



**Figure 11. Single-Carrier W-CDMA Spectrum**

$V_{DD} = 28 \text{ Vdc}$ ,  $I_{DQ1(A+B)} = 80 \text{ mA}$ ,  $I_{DQ2A} = 260 \text{ mA}$ , CW

f (MHz)	$Z_{in}$ ( $\Omega$ )	$Z_{load}^{(1)}$ ( $\Omega$ )	Max Output Power					
			P1dB			P3dB		
			(dBm)	(W)	PAE (%)	(dBm)	(W)	PAE (%)
2110	68.0 – j42.0	7.20 – j14.0	45.8	38	52.2	46.4	44	53.1
2140	60.6 – j37.0	7.40 – j14.4	45.7	37	51.9	46.4	44	52.7
2170	54.0 – j31.0	7.30 – j14.7	45.7	37	51.6	46.4	44	52.2

(1) Load impedance for optimum P1dB power.

$Z_{in}$  = Impedance as measured from input contact to ground.

$Z_{load}$  = Impedance as measured from drain contact to ground.

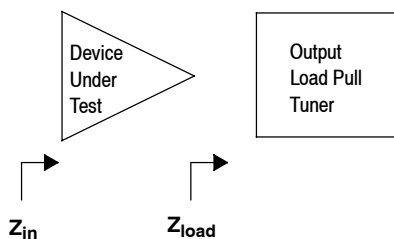


Figure 12. Carrier Side Load Pull Performance — Maximum P1dB Tuning

$V_{DD} = 28 \text{ Vdc}$ ,  $I_{DQ1(A+B)} = 80 \text{ mA}$ ,  $I_{DQ2A} = 260 \text{ mA}$ , CW

f (MHz)	$Z_{in}$ ( $\Omega$ )	$Z_{load}^{(1)}$ ( $\Omega$ )	Max Power Added Efficiency					
			P1dB			P3dB		
			(dBm)	(W)	PAE (%)	(dBm)	(W)	PAE (%)
2110	60.0 – j53.0	9.10 – j8.80	44.4	28	58.1	45.0	32.0	57.6
2140	54.0 – j46.0	8.20 – j9.10	44.4	28	57.6	44.9	31.0	57.0
2170	48.0 – j39.0	7.90 – j9.60	44.4	28	57.4	45.0	32.0	56.7

(1) Load impedance for optimum P1dB efficiency.

$Z_{in}$  = Impedance as measured from input contact to ground.

$Z_{load}$  = Impedance as measured from drain contact to ground.

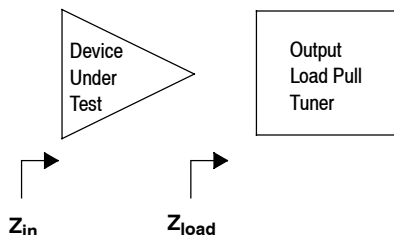
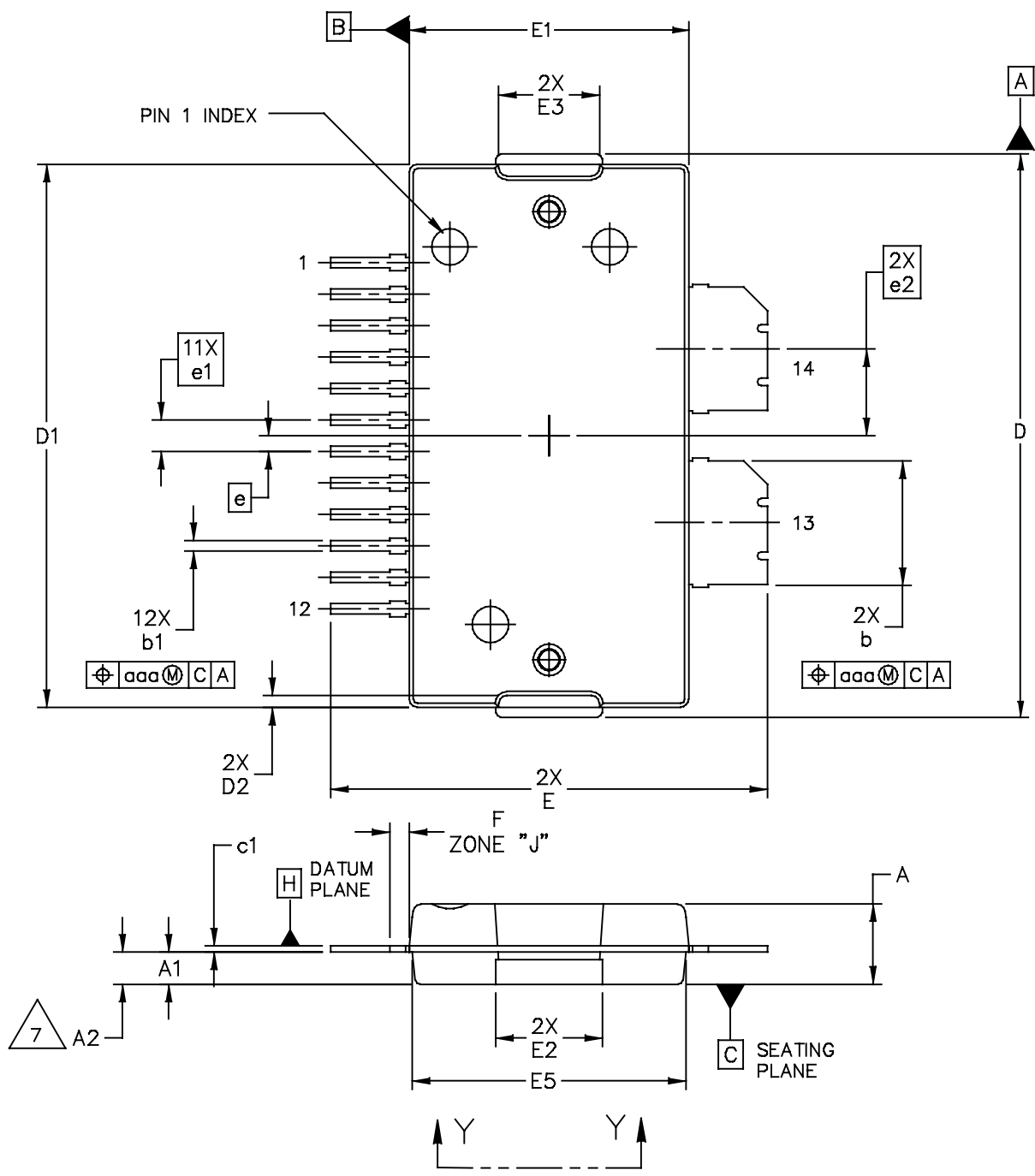
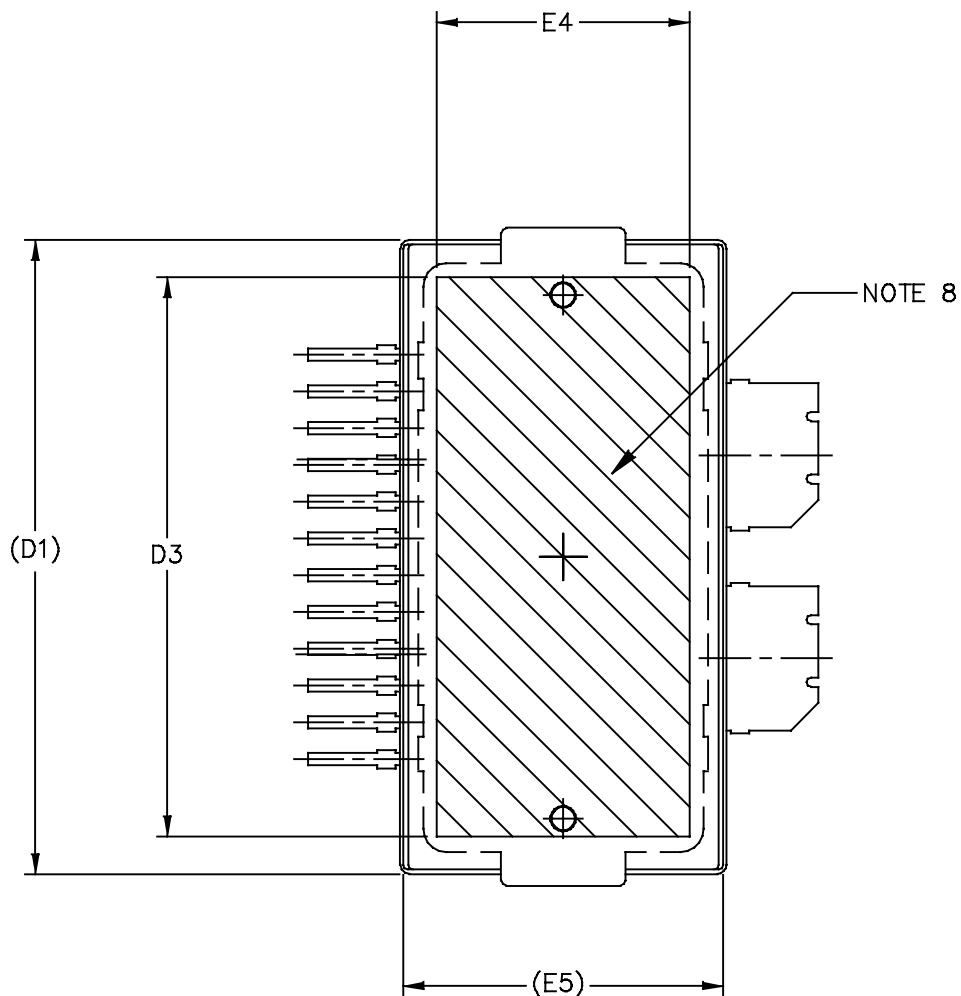


Figure 13. Carrier Side Load Pull Performance — Maximum Power Added Efficiency Tuning

**PACKAGE DIMENSIONS**



© FREESCALE SEMICONDUCTOR, INC. ALL RIGHTS RESERVED.	MECHANICAL OUTLINE	PRINT VERSION NOT TO SCALE
TITLE: TO-270 WIDE BODY 14 LEAD	DOCUMENT NO: 98ASA10650D	REV: A
	CASE NUMBER: 1618-02	19 JUN 2007
	STANDARD: NON-JEDEC	



VIEW Y-Y

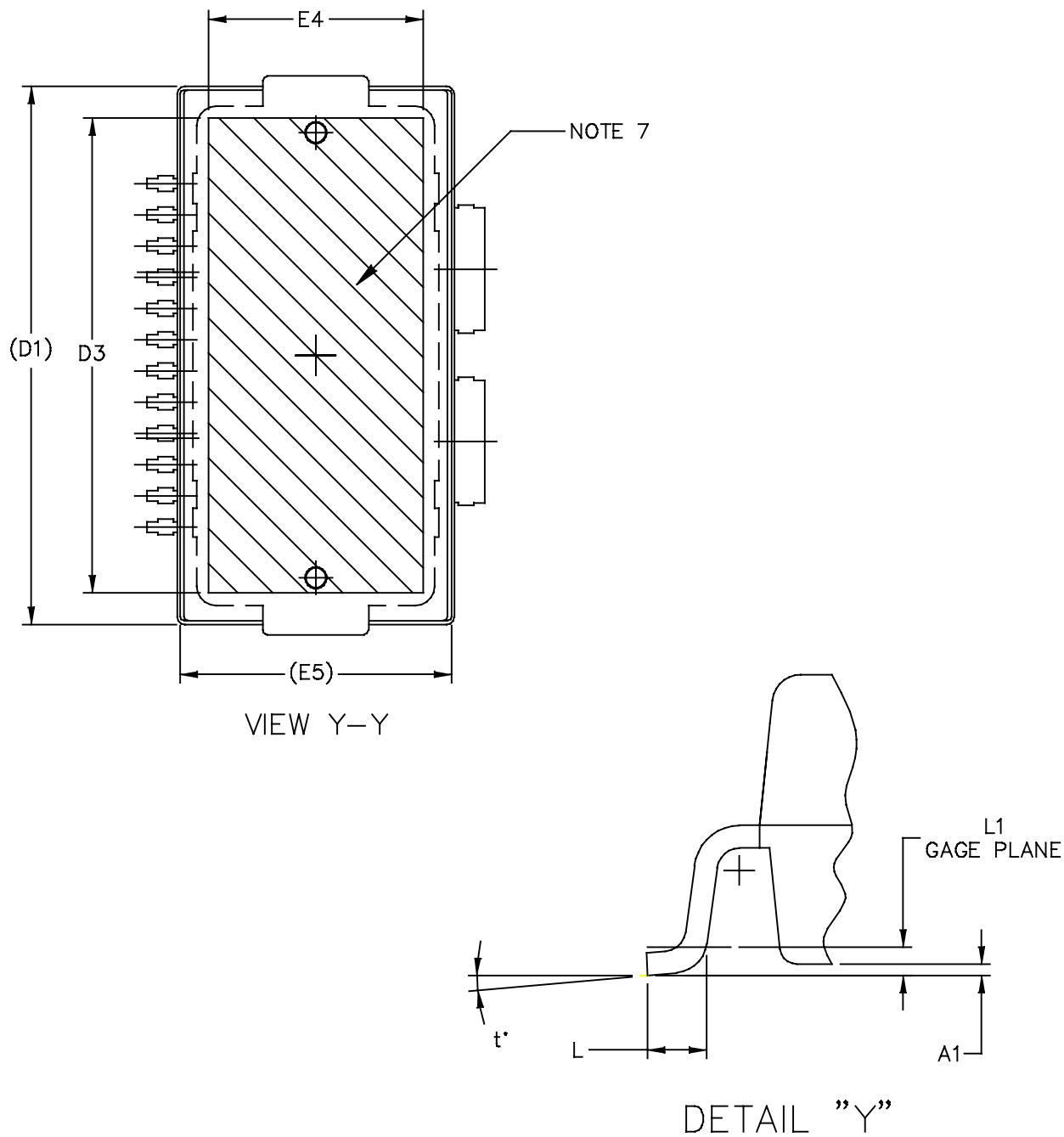
© FREESCALE SEMICONDUCTOR, INC. ALL RIGHTS RESERVED.	MECHANICAL OUTLINE	PRINT VERSION NOT TO SCALE	
TITLE: TO-270 WIDE BODY 14 LEAD	DOCUMENT NO: 98ASA10650D	REV: A	
	CASE NUMBER: 1618-02	19 JUN 2007	
	STANDARD: NON-JEDEC		

NOTES:

1. CONTROLLING DIMENSION: INCH
2. INTERPRET DIMENSIONS AND TOLERANCES PER ASME Y14.5M-1994.
3. DATUM PLANE -H- IS LOCATED AT THE TOP OF LEAD AND IS COINCIDENT WITH THE LEAD WHERE THE LEAD EXITS THE PLASTIC BODY AT THE TOP OF THE PARTING LINE.
4. DIMENSIONS "D" AND "E1" DO NOT INCLUDE MOLD PROTRUSION. ALLOWABLE PROTRUSION IS .006 PER SIDE. DIMENSIONS "D" AND "E1" DO INCLUDE MOLD MISMATCH AND ARE DETERMINED AT DATUM PLANE -H-.
5. DIMENSIONS "b" AND "b1" DOES NOT INCLUDE DAMBAR PROTRUSION. ALLOWABLE DAMBAR PROTRUSION SHALL BE .005 TOTAL IN EXCESS OF THE "b" AND "b1" DIMENSION AT MAXIMUM MATERIAL CONDITION.
6. DATUMS -A- AND -B- TO BE DETERMINED AT DATUM PLANE -H-.
7. DIMENSION A2 APPLIES WITHIN ZONE "J" ONLY.
8. HATCHING REPRESENTS THE EXPOSED AREA OF THE HEAT SLUG.

DIM	INCH		MILLIMETER		DIM	INCH		MILLIMETER	
	MIN	MAX	MIN	MAX		MIN	MAX	MIN	MAX
A	.100	.104	2.54	2.64	F	.025 BSC		0.64 BSC	
A1	.039	.043	0.99	1.09	b	.154	.160	3.91	4.06
A2	.040	.042	1.02	1.07	b1	.010	.016	0.25	0.41
D	.712	.720	18.08	18.29	c1	.007	.011	.18	.28
D1	.688	.692	17.48	17.58	e	.020 BSC		0.51 BSC	
D2	.011	.019	0.28	0.48	e1	.040 BSC		1.02 BSC	
D3	.600	---	15.24	---	e2	.1105 BSC		2.807 BSC	
E	.551	.559	14	14.2					
E1	.353	.357	8.97	9.07	aaa	.004		.10	
E2	.132	.140	3.35	3.56					
E3	.124	.132	3.15	3.35					
E4	.270	---	6.86	---					
E5	.346	.350	8.79	8.89					
© FREESCALE SEMICONDUCTOR, INC. ALL RIGHTS RESERVED.			MECHANICAL OUTLINE			PRINT VERSION NOT TO SCALE			
TITLE: TO-270 WIDE BODY 14 LEAD					DOCUMENT NO: 98ASA10650D			REV: A	
					CASE NUMBER: 1618-02			19 JUN 2007	
					STANDARD: NON-JEDEC				





© FREESCALE SEMICONDUCTOR, INC. ALL RIGHTS RESERVED.		MECHANICAL OUTLINE	PRINT VERSION NOT TO SCALE
TITLE: TO-270 WIDE BODY 14 LEAD GULL WING	DOCUMENT NO: 98ASA10653D		REV: A
	CASE NUMBER: 1621-02		19 JUN 2007
	STANDARD: NON-JEDEC		

NOTES:

1. CONTROLLING DIMENSION: INCH
2. INTERPRET DIMENSIONS AND TOLERANCES PER ASME Y14.5M-1994.
3. DATUM PLANE -H- IS LOCATED AT THE TOP OF LEAD AND IS COINCIDENT WITH THE LEAD WHERE THE LEAD EXITS THE PLASTIC BODY AT THE TOP OF THE PARTING LINE.
4. DIMENSIONS "D" AND "E1" DO NOT INCLUDE MOLD PROTRUSION. ALLOWABLE PROTRUSION IS .006 PER SIDE. DIMENSIONS "D" AND "E1" DO INCLUDE MOLD MISMATCH AND ARE DETERMINED AT DATUM PLANE -H-.
5. DIMENSIONS "b" AND "b1" DOES NOT INCLUDE DAMBAR PROTRUSION. ALLOWABLE DAMBAR PROTRUSION SHALL BE .005 TOTAL IN EXCESS OF THE "b" AND "b1" DIMENSION AT MAXIMUM MATERIAL CONDITION.
6. DATUMS -A- AND -B- TO BE DETERMINED AT DATUM PLANE -H-.
7. HATCHING REPRESENTS THE EXPOSED AREA OF THE HEAT SLUG.

DIM	INCH		MILLIMETER		DIM	INCH		MILLIMETER	
	MIN	MAX	MIN	MAX		MIN	MAX	MIN	MAX
A	.100	.104	2.54	2.64	L	.018	.024	0.46	0.61
A1	.001	.004	0.02	0.10	L1	.010 BSC		0.25 BSC	
A2	.099	.110	2.51	2.79	b	.154	.160	3.91	4.06
D	.712	.720	18.08	18.29	b1	.010	.016	0.25	0.41
D1	.688	.692	17.48	17.58	c1	.007	.011	.18	.28
D2	.011	.019	0.28	0.48	e	.020 BSC		0.51 BSC	
D3	.600	---	15.24	---	e1	.040 BSC		1.02 BSC	
E	.429	.437	10.9	11.1	e2	.1105 BSC		2.807 BSC	
E1	.353	.357	8.97	9.07	t	2'	8'	2'	8'
E2	.132	.140	3.35	3.56					
E3	.124	.132	3.15	3.35	aaa	.004		.10	
E4	.270	---	6.86	---					
E5	.346	.350	8.79	8.89					
© FREESCALE SEMICONDUCTOR, INC. ALL RIGHTS RESERVED.			MECHANICAL OUTLINE			PRINT VERSION NOT TO SCALE			
TITLE: TO-270 WIDE BODY 14 LEAD GULL WING					DOCUMENT NO: 98ASA10653D			REV: A	
					CASE NUMBER: 1621-02			19 JUN 2007	
					STANDARD: NON-JEDEC				

## PRODUCT DOCUMENTATION, SOFTWARE AND TOOLS

Refer to the following documents, software and tools to aid your design process.

### Application Notes

- AN1907: Solder Reflow Attach Method for High Power RF Devices in Over-Molded Plastic Packages
- AN1955: Thermal Measurement Methodology of RF Power Amplifiers
- AN1977: Quiescent Current Thermal Tracking Circuit in the RF Integrated Circuit Family
- AN1987: Quiescent Current Control for the RF Integrated Circuit Device Family
- AN3789: Clamping of High Power RF Transistors and RFICs in Over-Molded Plastic Packages

### Engineering Bulletins

- EB212: Using Data Sheet Impedances for RF LDMOS Devices

### Software

- Electromigration MTTF Calculator
- RF High Power Model
- .s2p File

### Development Tools

- Printed Circuit Boards

For Software and Tools, do a Part Number search at <http://www.freescale.com>, and select the “Part Number” link. Go to the Software & Tools tab on the part’s Product Summary page to download the respective tool.

## REVISION HISTORY

The following table summarizes revisions to this document.

Revision	Date	Description
0	May 2012	• Initial Release of Data Sheet

### ***How to Reach Us:***

**Home Page:**  
freescale.com

**Web Support:**  
freescale.com/support

Information in this document is provided solely to enable system and software implementers to use Freescale products. There are no express or implied copyright licenses granted hereunder to design or fabricate any integrated circuits based on the information in this document.



Freescale reserves the right to make changes without further notice to any products herein. Freescale makes no warranty, representation, or guarantee regarding the suitability of its products for any particular purpose, nor does Freescale assume any liability arising out of the application or use of any product or circuit, and specifically disclaims any and all liability, including without limitation consequential or incidental damages. "Typical" parameters that may be provided in Freescale data sheets and/or specifications can and do vary in different applications, and actual performance may vary over time. All operating parameters, including "typicals," must be validated for each customer application by customer's technical experts. Freescale does not convey any license under its patent rights nor the rights of others. Freescale sells products pursuant to standard terms and conditions of sale, which can be found at the following address: <http://www.reg.net/v2/webservices/Freescale/Docs/TermsandConditions.htm>.

Freescale, the Freescale logo, AltiVec, C-5, CodeTest, CodeWarrior, ColdFire, C-Ware, Energy Efficient Solutions logo, Kinetis, mobileGT, PowerQUICC, Processor Expert, QorIQ, Qorivva, StarCore, Symphony, and VortiQa are trademarks of Freescale Semiconductor, Inc., Reg. U.S. Pat. & Tm. Off. Airfast, BeeKit, BeeStack, ColdFire+, CoreNet, Flexis, MagniV, MXC, Platform in a Package, QorIQ Qonverge, QUICC Engine, Ready Play, SafeAssure, SMARTMOS, TurboLink, Vybrid, and Xtrinsic are trademarks of Freescale Semiconductor, Inc. All other product or service names are the property of their respective owners.

© 2012 Freescale Semiconductor, Inc.

## Looking for pricing, stock, or lifecycle information?

Click below to explore more details on WIN SOURCE:

-  [View MD7IC2251NR1 on WIN SOURCE](#)
-  [Freescale Semiconductor - NXP Information](#)

## Optimize Your Supply Chain with WIN SOURCE Solutions

-  Global Sourcing Solution
-  Obsolete Management
-  Cost Control Management
-  Shortage Management
-  Alternative Solution
-  Excess Inventory Management