



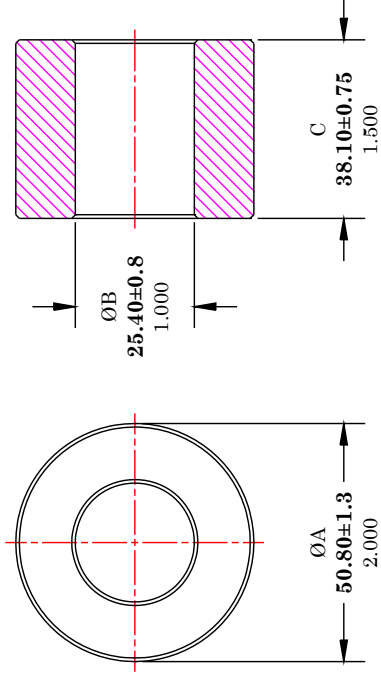
THE DATASHEET OF
2631626202



** Not all features are shown in this drawing. For more detailed information, please contact your Fair-Rite representative.

UNCONTROLLED ~CATALOG~ DRAWING

SIZE
B



DIMENSIONS
BOLD NUMBERS ARE IN MILLIMETERS
LIGHT NUMBERS ARE IN INCHES

ELECTRICAL S				
$\Sigma l/A(\text{mm}^{-1})$	l_e (mm)	A_e (mm^2)	V_e (mm^3)	L_e (nH)
0.23791	111	465	51432	5.282

 FAIR-RITE	TITLE		ROUND	SCALE
	DRAWN BY	DATE	SIZE	
	D. FOOTE	2/24/2020	B	
	CHKD BY			
	APPRVD BY			

FR# 31

NOTES:

- 1 - BURNISH TO BREAK SHARP EDGES.
- 2 - IMPEDANCE MEASURED ON AN E4991A USING A 16092A TEST FIXTURE.

Looking for pricing, stock, or lifecycle information?

Click below to explore more details on WIN SOURCE:

 [View 2631626202 on WIN SOURCE](#)

 [FAIR-RITE PRODUCTS](#) Information

Optimize Your Supply Chain with WIN SOURCE Solutions

-  Global Sourcing Solution
-  Obsolete Management
-  Cost Control Management
-  Shortage Management
-  Alternative Solution
-  Excess Inventory Management