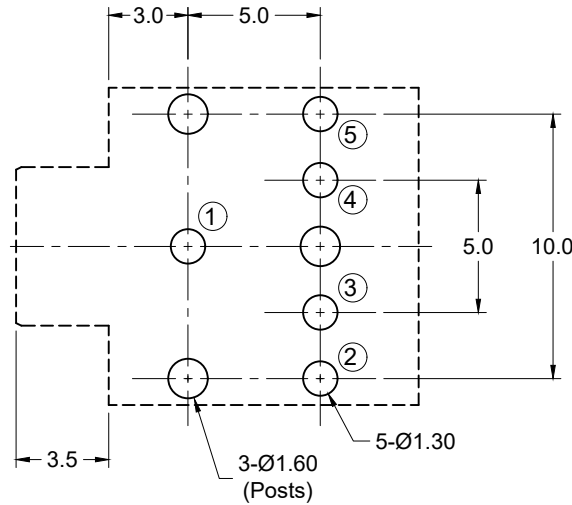
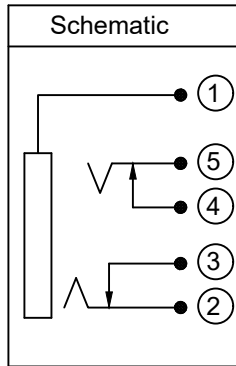
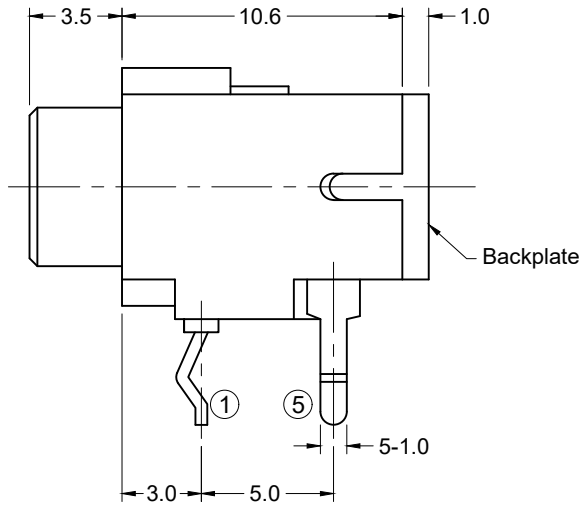
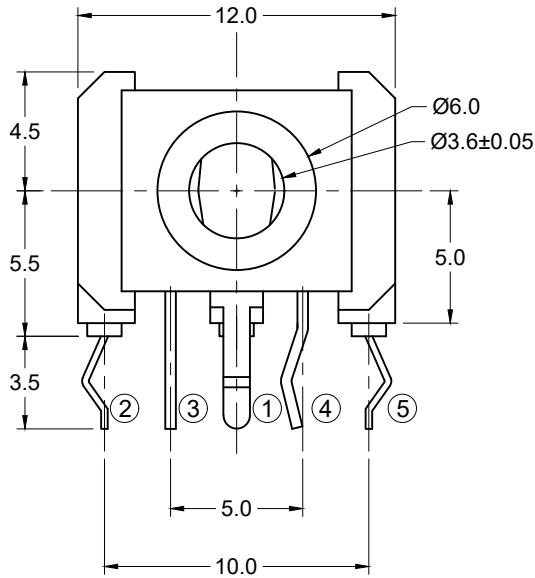




**THE DATASHEET OF
STX-3100-5NB**





Recommended PCB Layout
(Bottom View)

Materials and Finish

Housing: PBT Thermoplastic
15% Glass Filled, Black Color
UL 94V-0 Rated

Terminals:
Pin #1: Brass, Nickel Plated
Pin #5 & Pin #2:
Phosphor Bronze, Matte Tin Plated
Pin #3 & Pin #4:
Brass, Matte Tin Plated

Bushing: Brass, Nickel Plated

Electrical Characteristics

Rated Voltage: DC 24 V

Rated Current: 3.0 A

Contact Resistance:
Before Test: 50mohms Max.
After Durability Test: 100 mohms Max.

Insulation Resistance:
More Than 100 Megohms
At 500V DC

Dielectric Strength:
500V AC RMS for 1 Minute

Operating Temp: -25°C to +85°C

Mechanical Characteristics

Insertion Force: 0.3kg - 3.0kg

Extraction Force: 0.3kg - 3.0kg

Durability: 5000 Mating Cycles Min.

RoHS COMPLIANT

Tolerances

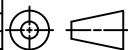
X.X ± 0.3
X.XX ± 0.15
Unless Stated
Otherwise

REV.	DATE	DESCRIPTION	REV. BY	CHK. BY	DRAWN BY	DATE
A1	9/6/05	New Drawing	R. Aguirre	H. MA	R. Aguirre	07/13/05
A2	11/8/06	ECO #06-046	R. Aguirre	H. MA		
A3	07/14/11	ECO #11-033	S. Vien	P. DalCanto		
A4	08/14/18	Update Address	D. Shehan	N/A		
A5	04/22/19	ECO #19-035	C. Kelleher	D. Shehan		

STX-3100-5NB

3.5mm Stereo Jack, RoHS Compliant

One Single Throw Double Pole Switch, with Back



UNITS
mm

Looking for pricing, stock, or lifecycle information?

Click below to explore more details on WIN SOURCE:

 [View STX-3100-5NB on WIN SOURCE](#)

 [Kycon, Inc. Information](#)

Optimize Your Supply Chain with WIN SOURCE Solutions

-  Global Sourcing Solution
-  Obsolete Management
-  Cost Control Management
-  Shortage Management
-  Alternative Solution
-  Excess Inventory Management