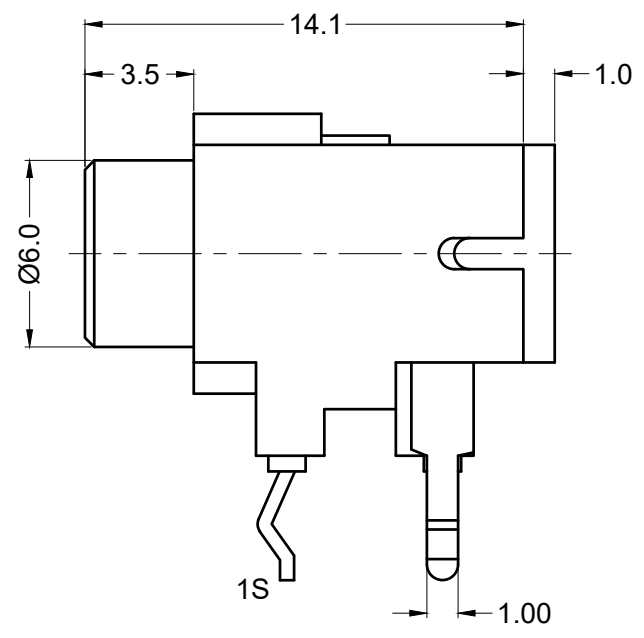
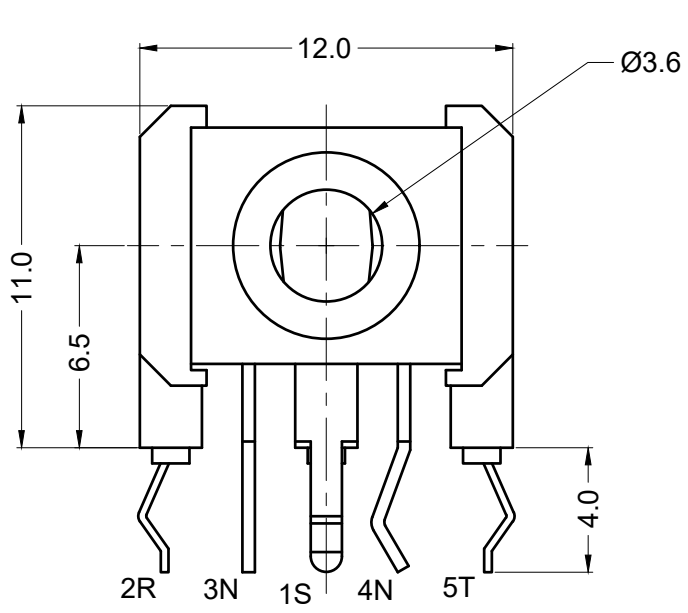




**THE DATASHEET OF  
STX-3200-5NB**





**Materials and Finish**

Housing: PBT Thermoplastic  
15% Glass Filled, UL 94V-0  
Rated, Black Color

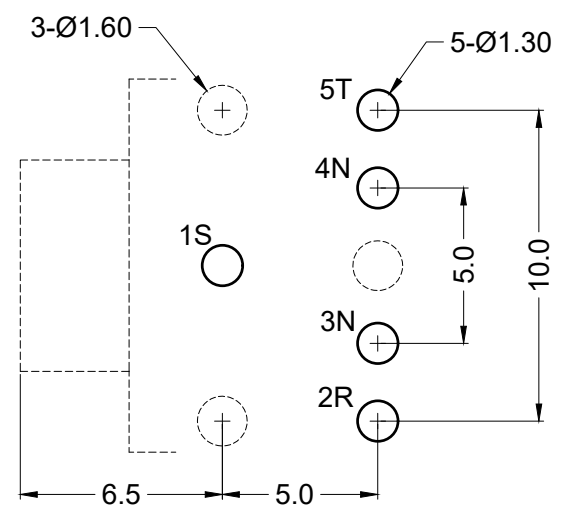
Contact Material:  
Pin #1: Copper Alloy, Nickel Plated  
Pin #2 and Pin #5:  
Phosphor Bronze, Matte  
Tin Plated  
Pin #3 and Pin #4:  
Copper Alloy, Matte  
Tin Plated

**Electrical Characteristics**

Insulation Resistance:  
100 Megohms at 500V DC  
Contact Resistance:  
50 milliohms Max.  
Dielectric Withstanding Voltage:  
500V AC RMS for 1 Minute

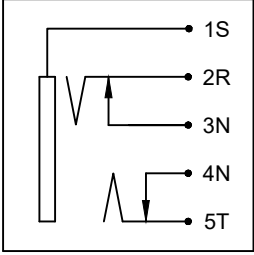
**Mechanical Characteristics**

Insertion Force: 0.4kg - 3.0kg  
Withdrawal Force: 0.3kg - 3.0kg  
Durability: 5000 Mating Cycles Min.  
Operating Temperature:  
-25°C to +100°C



Recommended PCB Layout  
(Bottom View)

**SCHEMATIC**



Tolerances
X.X ± 0.35
X.XX ± 0.25
Unless Stated
Otherwise



REV.	DATE	DESCRIPTION	REV. BY	CHK. BY	DRAWN BY	DATE
A0	9/28/05	New Drawing	R. Aguirre	H. MA	R. Aguirre	07/14/05
A1	6/7/06	Release Drawing	H. MA	N/A		
B1	10/18/10	ECO #10-068	P. DalCanto	H. MA		
B2	5/2/11	ECO #11-027	P. DalCanto	H. MA		
B3	1/19/12	ECO #12-001	P. DalCanto	H. MA		
B4	08/14/18	Update Address	D. Shehan	N/A		

**STX-3200-5NB**

High Profile Stereo Jack, 5 pos., RoHS Compliant  
Metal Bushing, Nonthreaded, with Backplate



## Looking for pricing, stock, or lifecycle information?

Click below to explore more details on WIN SOURCE:

 [View STX-3200-5NB on WIN SOURCE](#)

 [Kycon, Inc. Information](#)

## Optimize Your Supply Chain with WIN SOURCE Solutions

-  Global Sourcing Solution
-  Obsolete Management
-  Cost Control Management
-  Shortage Management
-  Alternative Solution
-  Excess Inventory Management