

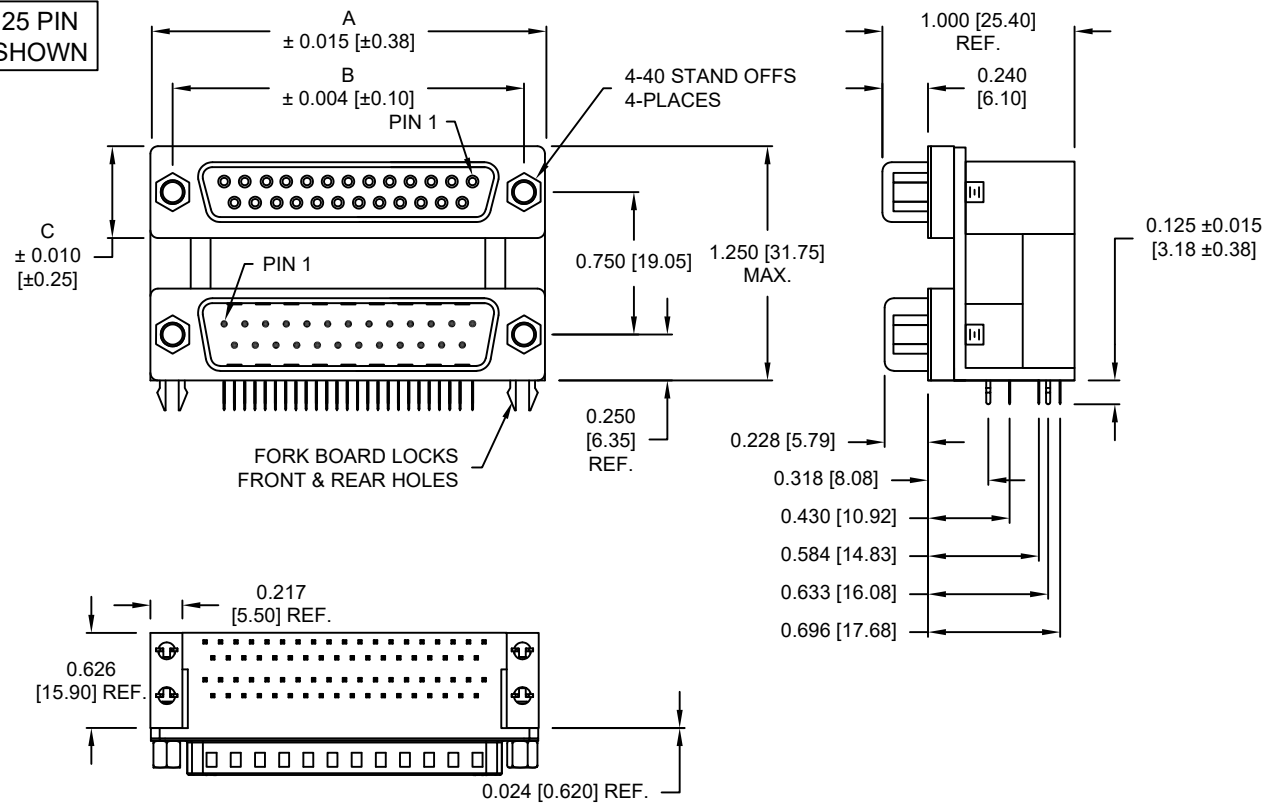


**THE DATASHEET OF**  
**178-025-313R571**



DESCRIPTION: 0.750 CENTER DUAL PORT D-SUB - FEMALE OVER MALE

25 PIN  
SHOWN



**SPECIFICATIONS:**

**MATERIALS:**

HOUSING: UL 94V-0 RATED, BLACK PA9T, 260° PROCESS TEMP.

CONTACTS: GOLD PLATED BRASS (SEE P/N KEY BELOW)

SHELL: STEEL, NICKEL PLATED

**ELECTRICAL:**

RATED CURRENT: 5A

INSULATOR RESISTANCE: 1,000 Ohms MIN.

DIELECTRIC STRENGTH: 1,000 VAC RMS

OPERATING TEMPERATURE: -55°C TO +105°C

**DIMENSIONS (IN.)**

	9	15	25	37
A	1.204 [30.58]	1.535 [38.99]	2.078 [52.78]	2.724 [69.19]
B	0.984 [24.99]	1.312 [33.32]	1.850 [46.99]	2.500 [63.50]
C	0.494 [12.55]	0.494 [12.55]	0.494 [12.55]	0.494 [12.55]

178-YYY-313R571

SERIES \_\_\_\_\_

POSITIONS \_\_\_\_\_

009

015

025

037

GENDER \_\_\_\_\_

31 = FEMALE OVER MALE

41 = MALE OVER FEMALE

51 = FEMALE OVER FEMALE

61 = MALE OVER MALE

SHELL PLATING \_\_\_\_\_

3 = NICKEL

RoHS COMPLIANT (HIGH TEMP. PROCESS) \_\_\_\_\_

HARDWARE OPTIONS \_\_\_\_\_

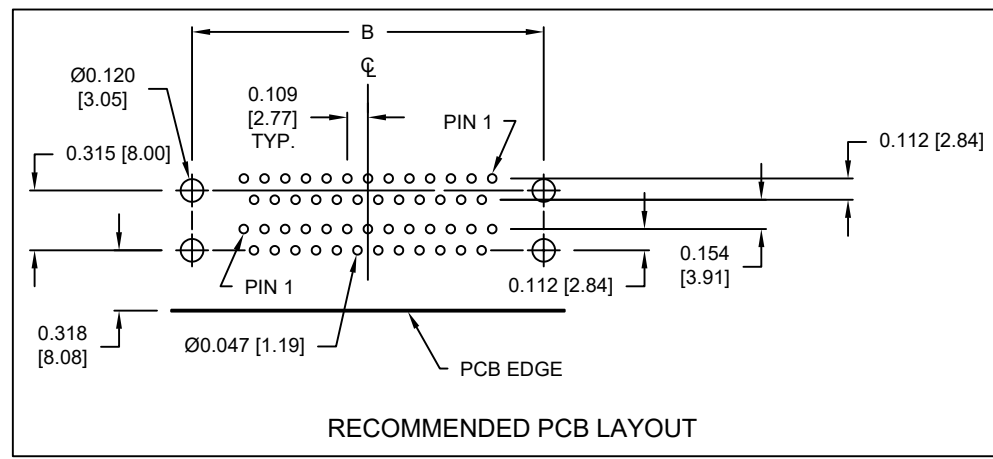
57 = 4-40 STAND OFFS/BOARD LOCKS

PLATING OPTIONS \_\_\_\_\_

1 = GOLD FLASH

A = 30u" GOLD MATING AREA/GOLD FLASH TAILS

9 = 30u" GOLD MATING AREA/TIN TAILS



RoHS COMPLIANT

UNITS = inch [mm]

DO NOT SCALE FROM DRAWING



THESE DRAWINGS AND SPECIFICATIONS ARE THE PROPERTY OF NorComp AND SHALL NOT BE REPRODUCED, COPIED OR USED AS THE BASIS FOR THE MANUFACTURE OR SALE OF APPARATUS WITHOUT WRITTEN PERMISSION.

DRAWN: C. SMITH

DATE: 3/30/07

NorComp

SCALE: NTS

SHEET 1 OF 1

REV 8

DWG NO. 178-YYY-313R571

## Looking for pricing, stock, or lifecycle information?

Click below to explore more details on WIN SOURCE:

 [View 178-025-313R571 on WIN SOURCE](#)

 [NorComp Inc. Information](#)

## Optimize Your Supply Chain with WIN SOURCE Solutions

-  Global Sourcing Solution
-  Obsolete Management
-  Cost Control Management
-  Shortage Management
-  Alternative Solution
-  Excess Inventory Management