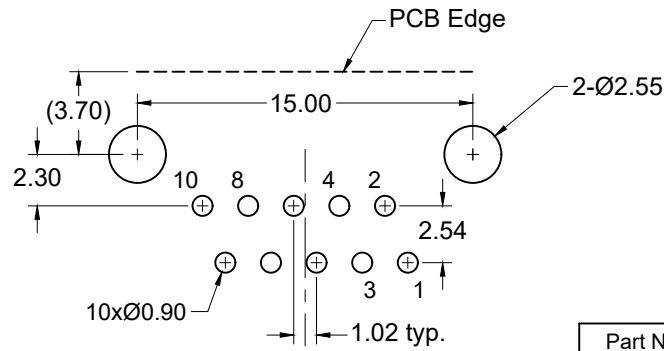
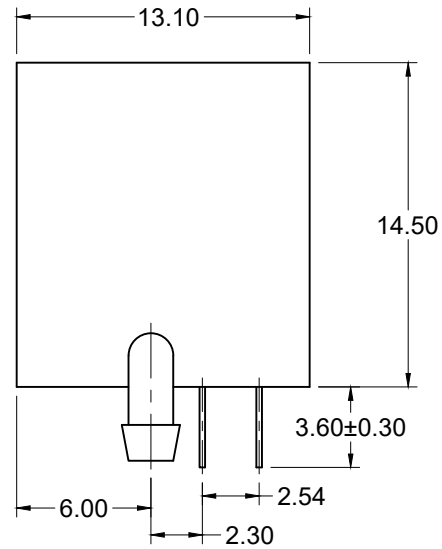
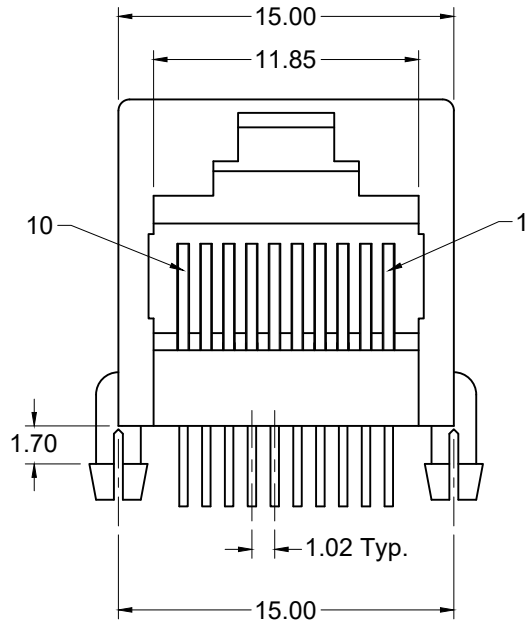




**THE DATASHEET OF
GLX-N-1010M**





Recommended PCB Layout
(Bottom View)

Part Number	Contact Area Plating Finish	Color
GLX-N-1010M	Gold Flash (standard)	Grey
GLX-N-1010M-15	15u" Gold (15 option)	Grey
GLX-N-1010M-50	50u" Gold (50 option)	Grey
GLX-N-1010M-BLK	Gold Flash (standard)	Black

Materials and Finish

Housing Material:
PBT thermoplastic,
UL 94V-0 rated,

Contact Material:
phosphor bronze

Contact Plating Options:
Standard: gold flash on
contact area, tin on solder
area, all over nickel underplate

15: 15u" gold on contact
area, tin on solder area
all over nickel underplate

50: 50u" gold on contact
area, tin on solder area
all over nickel underplate

Electrical Characteristics

Current Rating-
1.5 Amps

Voltage Rating-
125V DC

Insulation Resistance-
500 Megohms min.

Dielectric Withstanding Voltage-
1000V rms, 60Hz

Contact Resistance-
20 milliohms max.

Operating Temperature-
-40°C to +85°C

Tolerances

X.X ± 0.35
X.XX ± 0.25
Unless Stated
Otherwise



REV.	DATE	DESCRIPTION	REV. BY	CHK. BY	DRAWN BY	DATE
A5	05/20/10	ECO #10-028	S. Vien	H. MA	R. Aguirre	9/16/05
A6	12/07/11	ECO #11-081	S. Vien	H. MA		
A7	12/12/13	ECO #13-091	D. Gih	H. MA		
A8	06/07/17	Updated Address	H. MA	C. Furumasu	UNITS	mm
A9	10/24/25	ECO #25-048	K. Wang	C. Kelleher		
A10	04/10/26	ECO #26-006	C. Kelleher	K. Wang		

GLX-N-1010M

Right Angle, Thru-Hole Modular Jack, RoHS Compliant

10 Position, 10 Contacts, Short Body



Looking for pricing, stock, or lifecycle information?

Click below to explore more details on WIN SOURCE:

 [View GLX-N-1010M on WIN SOURCE](#)

 [Kycon, Inc. Information](#)

Optimize Your Supply Chain with WIN SOURCE Solutions

-  Global Sourcing Solution
-  Obsolete Management
-  Cost Control Management
-  Shortage Management
-  Alternative Solution
-  Excess Inventory Management