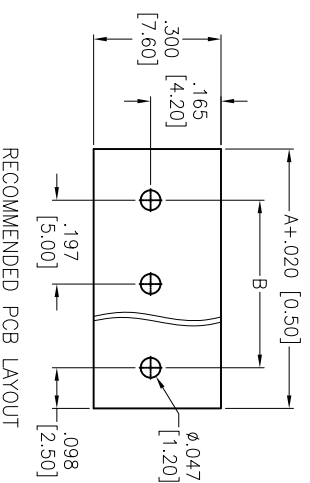
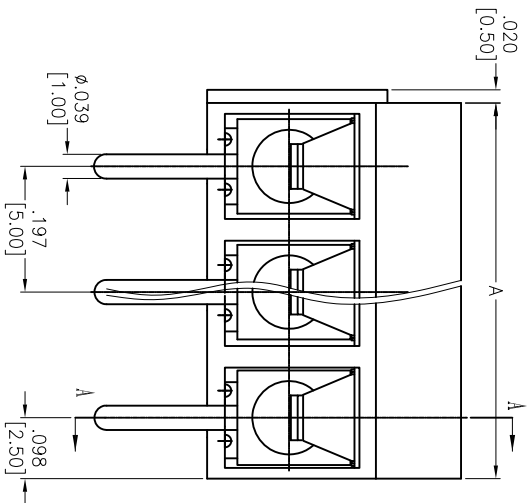
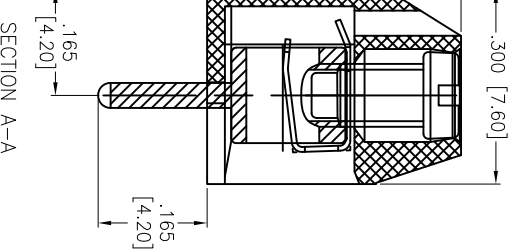
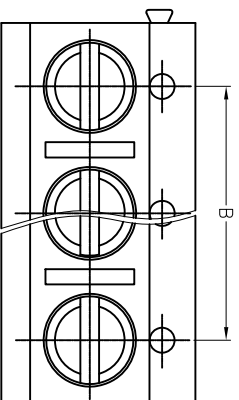




**THE DATASHEET OF
EBBA-03-C-SS-BU**



Rev	AWO #	Description	Date	Appr
-		RELEASED	9/29/14	
A		UPDATE SPEC.	8/22/17	AV/RCT
B		UPDATE DRAWING	2/13/20	AV/RT
C		UPDATE DRAWING	2/23/21	LH/EY



Positions: 2 thru 24
 A = .197 [5.00] x No. of Positions
 B = .197 [5.00] x No. of Spoces

UNLESS OTHERWISE SPECIFIED
 ALL DIMENSIONS ARE INCHES [MM]
 TOLERANCES: EXCEPT AS NOTED
 INCHES Holes
 .X ±.10 ØX ±.10
 .XX ±.020 ØXXX ±.015
 .XXX ±.015 ØXXXX ±.010

APPROVALS		DATE
DRAWN	AY	9/29/14
CHECKED	GC	9/29/14
APPROVED		

ADAM TECH
 909 Rahway Avenue,
 Union, NJ 07083
 Phone: 908-687-5000
 Fax: 908-687-5710

TITLE		EURO BLOCK, .197 [5.00] PITCH, SLOTTED SCREW	
SIZE	PART NO.	SCALE:	REV.
X	EBBA-XX-C-SS-BU	NTS	C
REF:	S00067C	SHEET	1 OF 1



minute

5C

5

4

3

2

1

A



B

C

D

Looking for pricing, stock, or lifecycle information?

Click below to explore more details on WIN SOURCE:

-  [View EBBA-03-C-SS-BU on WIN SOURCE](#)
-  [Adam Technologies, Inc. Information](#)

Optimize Your Supply Chain with WIN SOURCE Solutions

-  Global Sourcing Solution
-  Obsolete Management
-  Cost Control Management
-  Shortage Management
-  Alternative Solution
-  Excess Inventory Management