



**THE DATASHEET OF
43WR1KLFTR**



Multi-Turn Trimmer

Model 43



Features:

- 3 mm
- Sealed surface mount
- RoHS compliant



Model Styles Available

J hook surface mount

43W

Electrical

| | |
|---------------------------------------|--|
| Resistance Range | 10 Ohm to 2 Megohms |
| Standard Resistance Tolerance | ± 20% |
| Input Voltage, Maximum | 200 Vdc or rms, not to exceed power rating |
| Power rating, Watts | 0.125 @ 70°C, derating to 0 @ 150°C |
| End Resistance, Maximum | 1% or 3 Ohms, whichever is greater |
| Actual Electrical Travel, Nominal | 11 turns |
| Dielectric Strength | 600 V AC |
| Insulation Resistance, Minimum | 100 Megohms |
| Resolution | Essentially infinite |
| Contact Resistance Variation, Maximum | 3% or 3 Ohms, whichever is greater |
| Temperature Coefficient of Resistance | ±100 ppm/°C |

Mechanical

| | |
|-----------------|-------------|
| Mechanical Stop | Wiper idles |
| Torque, Maximum | 2.5 in. oz. |
| Weight, Approx. | 0.01 oz. |
| Wiper Position | Approx. 50% |

General Note
TT Electronics reserves the right to make changes in product specification without notice or liability. All information is subject to TT Electronics' own data and is considered accurate at time of going to print.

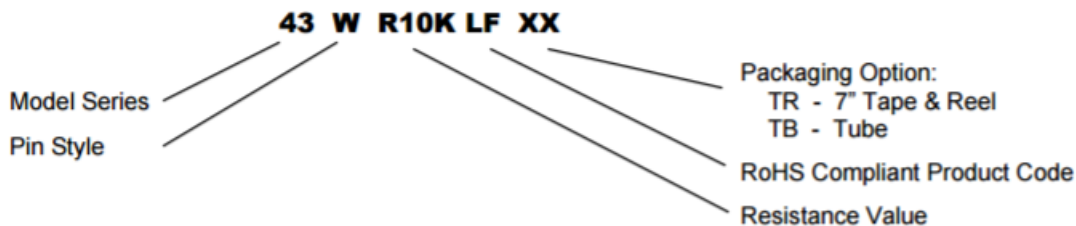
© TT electronics plc

TT Electronics | BI Technologies
413 Rood RD, Suite 7
Calexico, CA 92231
Ph: + 1 (714) 447-2345
www.ttelectronics.com/bi-technologies
Issue B 04/2019 Page 1

Environmental

| | |
|--|--|
| Seal | 85°C Fluorinert® |
| Operating Temperature Range | -65°C to +150°C |
| Thermal Shock, 5 cycles, -55°C to +125°C | 2% ΔR, 2% ΔV Ratio max. |
| Moisture Resistance, Ten 24 Hour Cycles | 3% ΔR |
| Shock, 6 ms Sawtooth 100G's | 1% ΔR, 1% ΔV Ratio max. |
| Vibration, 20G's to 2000 Hz | 1% ΔR, 1% ΔV Ratio max. |
| High Temperature Exposure, 250 Hours @ 125°C | 2% ΔR, 2% ΔV Ratio max. |
| Rotational Life, 200 Cycles | 3% ΔR |
| Load Life, 0.125W, 1000 Hours, 70°C | 4% ΔR or 4 ohms which ever is greatest, 2% ΔV Ratio max. |
| Resistance to Solder Heat | 260°C for 5 sec. |

Ordering Information



Packaging Information

| Tape & Reel | |
|--|-------------------|
| Tape Width | 12 mm |
| Sprocket Pitch | 4 mm |
| Reel Diameter | 7 inches |
| Quantity per Reel | 500 units |
| Tubes | |
| Anti-Static Tubes, all units oriented with #1 pin to the same side | 50 units per tube |

Standard Resistance Values, Ohms

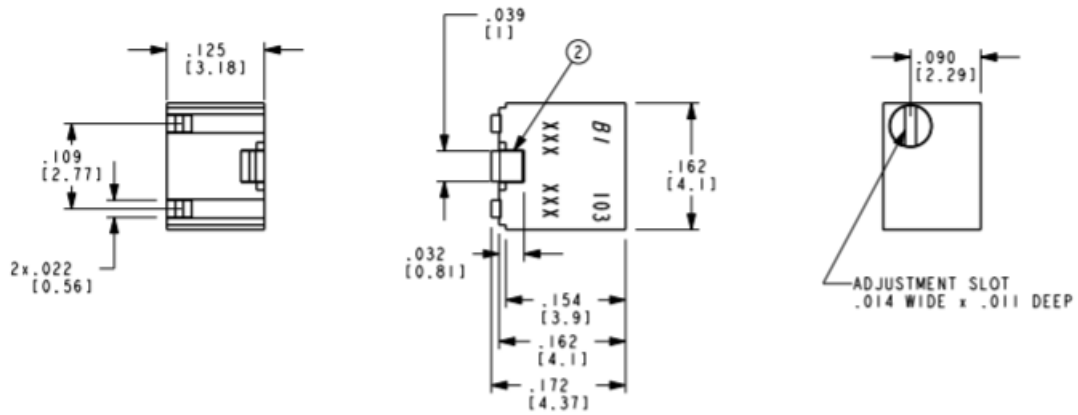
| | | | | | |
|----|-----|----|-----|------|-------|
| 10 | 100 | 1K | 10K | 100K | 1 Meg |
| 20 | 200 | 2K | 20K | 200K | 2 Meg |
| 50 | 500 | 5K | 50K | 500K | |

General Note

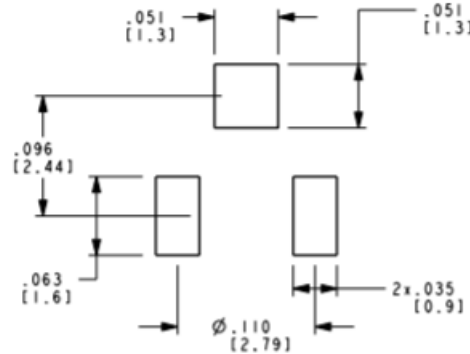
TT Electronics reserves the right to make changes in product specification without notice or liability. All information is subject to TT Electronics' own data and is considered accurate at time of going to print.

Outline Drawings

Model 43W

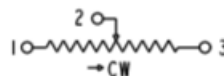


RECOMMENDED PCB LAYOUT (INCH/mm)



DIMENSIONS ARE : INCHES (mm)
TOLERANCES : ±.010 (.25) EXCEPT WHERE NOTED

Circuit Diagram



Looking for pricing, stock, or lifecycle information?

Click below to explore more details on WIN SOURCE:

 [View 43WR1KLFTR](#) on WIN SOURCE

 [TT Electronics](#) Information

Optimize Your Supply Chain with WIN SOURCE Solutions

-  Global Sourcing Solution
-  Obsolete Management
-  Cost Control Management
-  Shortage Management
-  Alternative Solution
-  Excess Inventory Management