



**THE DATASHEET OF  
ADG784BCPZ-REEL7**



### FEATURES

**Low Insertion Loss and On Resistance: 4  $\Omega$  Typical**  
**On-Resistance Flatness <2  $\Omega$**   
**Bandwidth >200 MHz**  
**Single 3 V/5 V Supply Operation**  
**Rail-to-Rail Operation**  
**Very Low Distortion: <1%**  
**Low Quiescent Supply Current (100 nA Typical)**  
**Fast Switching Times**

$t_{ON}$  10 ns

$t_{OFF}$  4 ns

**TTL/CMOS Compatible**

**For Functionally Equivalent Devices in 16-Lead QSOP/  
SOIC Packages, See ADG774**

### APPLICATIONS

100VG-AnyLAN

Token Ring 4 Mbps/16 Mbps

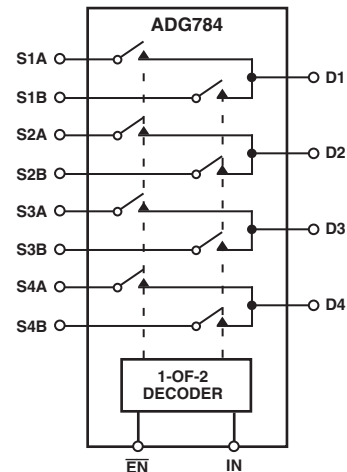
ATM25/155

NIC Adapter and Hubs

Audio and Video Switching

Relay Replacement

### FUNCTIONAL BLOCK DIAGRAM



### GENERAL DESCRIPTION

The ADG784 is a monolithic CMOS device comprising four 2:1 multiplexer/demultiplexers with high impedance outputs. The CMOS process provides low power dissipation yet gives high switching speed and low on resistance. The on-resistance variation is typically less than 0.5  $\Omega$  with an input signal ranging from 0 V to 5 V.

The bandwidth of the ADG784 is greater than 200 MHz and this, coupled with low distortion (typically 0.5%), makes the part suitable for switching fast ethernet signals.

The on-resistance profile is very flat over the full analog input range ensuring excellent linearity and low distortion when switching audio signals. Fast switching speed, coupled with high signal bandwidth, also makes the parts suitable for video signal switching. CMOS construction ensures ultralow power dissipation making the parts ideally suited for portable and battery powered instruments.

The ADG784 operates from a single 3.3 V/5 V supply and is TTL logic compatible. The control logic for each switch is shown in the Truth Table.

These switches conduct equally well in both directions when ON, and have an input signal range that extends to the supplies. In the OFF condition, signal levels up to the supplies are blocked. The ADG784 switches exhibit break-before-make switching action.

### PRODUCT HIGHLIGHTS

1. Also Available as ADG774 in 16-Lead QSOP and SOIC.
2. Wide Bandwidth Data Rates >200 MHz.
3. Ultralow Power Dissipation.
4. Extended Signal Range.

The ADG784 is fabricated on a CMOS process giving an increased signal range that fully extends to the supply rails.

5. Low Leakage over Temperature.
6. Break-Before-Make Switching.  
This prevents channel shorting when the switches are configured as a multiplexer.
7. Crosstalk is typically -70 dB @ 30 MHz.
8. Off isolation is typically -60 dB @ 10 MHz.
9. Available in Chip Scale Package (CSP).

REV. A

Information furnished by Analog Devices is believed to be accurate and reliable. However, no responsibility is assumed by Analog Devices for its use, nor for any infringements of patents or other rights of third parties that may result from its use. No license is granted by implication or otherwise under any patent or patent rights of Analog Devices.

# ADG784—SPECIFICATIONS

**SINGLE SUPPLY** ( $V_{DD} = 5\text{ V} \pm 10\%$ ,  $GND = 0\text{ V}$ . All specifications  $T_{MIN}$  to  $T_{MAX}$  unless otherwise noted.)

Parameter	B Version		Unit	Test Conditions/Comments
	25°C	$T_{MIN}$ to $T_{MAX}$		
<b>ANALOG SWITCH</b>				
Analog Signal Range		0 V to $V_{DD}$	V	
On Resistance ( $R_{ON}$ )	2.2	5	$\Omega$ typ $\Omega$ max	$V_D = 0\text{ V}$ to $V_{DD}$ , $I_S = -10\text{ mA}$
On Resistance Match Between Channels ( $\Delta R_{ON}$ )	0.15	0.5	$\Omega$ typ $\Omega$ max	$V_D = 0\text{ V}$ to $V_{DD}$ , $I_S = -10\text{ mA}$
On Resistance Flatness ( $R_{FLAT(ON)}$ )	0.5	1	$\Omega$ typ $\Omega$ max	$V_D = 0\text{ V}$ to $V_{DD}$ ; $I_S = -10\text{ mA}$
<b>LEAKAGE CURRENTS</b>				
Source OFF Leakage $I_S$ (OFF)	$\pm 0.01$ $\pm 0.5$	$\pm 1$	nA typ nA max	$V_D = 4.5\text{ V}$ , $V_S = 1\text{ V}$ ; $V_D = 1\text{ V}$ , $V_S = 4.5\text{ V}$ ; Test Circuit 2
Drain OFF Leakage $I_D$ (OFF)	$\pm 0.01$ $\pm 0.5$	$\pm 1$	nA typ nA max	$V_D = 4.5\text{ V}$ , $V_S = 1\text{ V}$ ; $V_D = 1\text{ V}$ , $V_S = 4.5\text{ V}$ ; Test Circuit 2
Channel ON Leakage $I_D$ , $I_S$ (ON)	$\pm 0.01$ $\pm 0.5$	$\pm 1$	nA typ nA max	$V_D = V_S = 4.5\text{ V}$ ; $V_D = V_S = 1\text{ V}$ ; Test Circuit 3
<b>DIGITAL INPUTS</b>				
Input High Voltage, $V_{INH}$		2.4	V min	
Input Low Voltage, $V_{INL}$		0.8	V max	
Input Current $I_{INL}$ or $I_{INH}$	0.001	$\pm 0.5$	$\mu\text{A}$ typ $\mu\text{A}$ max	$V_{IN} = V_{INL}$ or $V_{INH}$
<b>DYNAMIC CHARACTERISTICS<sup>2</sup></b>				
$t_{ON}$		10 20	ns typ ns max	$R_L = 100\ \Omega$ , $C_L = 35\text{ pF}$ , $V_S = 3\text{ V}$ ; Test Circuit 4
$t_{OFF}$		4 8	ns typ ns max	$R_L = 100\ \Omega$ , $C_L = 35\text{ pF}$ , $V_S = 3\text{ V}$ ; Test Circuit 4
Break-Before-Make Time Delay, $t_D$		5 1	ns typ ns min	$R_L = 100\ \Omega$ , $C_L = 35\text{ pF}$ , $V_{S1} = V_{S2} = 5\text{ V}$ ; Test Circuit 5
Off Isolation		-65	dB typ	$R_L = 100\ \Omega$ , $f = 10\text{ MHz}$ ; Test Circuit 7
Channel-to-Channel Crosstalk		-75	dB typ	$R_L = 100\ \Omega$ , $f = 10\text{ MHz}$ ; Test Circuit 8
Bandwidth -3 dB		240	MHz typ	$R_L = 100\ \Omega$ ; Test Circuit 6
Distortion		0.5	% typ	$R_L = 100\ \Omega$
Charge Injection		10	pC typ	$C_L = 1\text{ nF}$ ; Test Circuit 9
$C_S$ (OFF)		10	pF typ	$f = 1\text{ kHz}$
$C_D$ (OFF)		20	pF typ	$f = 1\text{ kHz}$
$C_D$ , $C_S$ (ON)		30	pF typ	$f = 1\text{ MHz}$
<b>POWER REQUIREMENTS</b>				
$I_{DD}$	0.001	1	$\mu\text{A}$ max $\mu\text{A}$ typ	$V_{DD} = 5.5\text{ V}$ Digital Inputs = 0 V or $V_{DD}$
$I_{IN}$		1	$\mu\text{A}$ typ	$V_{IN} = 5\text{ V}$
$I_O$		100	mA max	$V_S/V_D = 0\text{ V}$

## NOTES

<sup>1</sup>Temperature ranges are as follows: B Version,  $-40^\circ\text{C}$  to  $+85^\circ\text{C}$ .

<sup>2</sup>Guaranteed by design, not subject to production test.

Specifications subject to change without notice.

**SINGLE SUPPLY** ( $V_{DD} = 3\text{ V} \pm 10\%$ ,  $GND = 0\text{ V}$ . All specifications  $T_{MIN}$  to  $T_{MAX}$  unless otherwise noted.)

Parameter	B Version $T_{MIN}$ to $T_{MAX}$		Unit	Test Conditions/Comments
	25°C			
<b>ANALOG SWITCH</b>				
Analog Signal Range		0 V to $V_{DD}$	V	
On Resistance ( $R_{ON}$ )	4	10	$\Omega$ typ $\Omega$ max	$V_D = 0\text{ V}$ to $V_{DD}$ , $I_S = -10\text{ mA}$
On Resistance Match Between Channels ( $\Delta R_{ON}$ )	0.15	0.5	$\Omega$ typ $\Omega$ max	$V_D = 0\text{ V}$ to $V_{DD}$ , $I_S = -10\text{ mA}$
On Resistance Flatness ( $R_{FLAT(ON)}$ )	2	4	$\Omega$ typ $\Omega$ max	$V_D = 0\text{ V}$ to $V_{DD}$ , $I_S = -10\text{ mA}$
<b>LEAKAGE CURRENTS</b>				
Source OFF Leakage $I_S$ (OFF)	$\pm 0.01$ $\pm 0.5$	$\pm 1$	nA typ nA max	$V_D = 3\text{ V}$ , $V_S = 1\text{ V}$ ; $V_D = 1\text{ V}$ , $V_S = 3\text{ V}$ ; Test Circuit 2
Drain OFF Leakage $I_D$ (OFF)	$\pm 0.01$ $\pm 0.5$	$\pm 1$	nA typ nA max	$V_D = 3\text{ V}$ , $V_S = 1\text{ V}$ ; $V_D = 1\text{ V}$ , $V_S = 3\text{ V}$ ; Test Circuit 2
Channel ON Leakage $I_D$ , $I_S$ (ON)	$\pm 0.01$ $\pm 0.5$	$\pm 1$	nA typ nA max	$V_D = V_S = 3\text{ V}$ ; $V_D = V_S = 1\text{ V}$ ; Test Circuit 3
<b>DIGITAL INPUTS</b>				
Input High Voltage, $V_{INH}$		2.0	V min	
Input Low Voltage, $V_{INL}$		0.4	V max	
Input Current $I_{INL}$ or $I_{INH}$	0.001	$\pm 0.5$	$\mu\text{A}$ typ $\mu\text{A}$ max	$V_{IN} = V_{INL}$ or $V_{INH}$
<b>DYNAMIC CHARACTERISTICS<sup>2</sup></b>				
$t_{ON}$		12 25	ns typ ns max	$R_L = 100\ \Omega$ , $C_L = 35\text{ pF}$ , $V_S = 1.5\text{ V}$ ; Test Circuit 4
$t_{OFF}$		5 10	ns typ ns max	$R_L = 100\ \Omega$ , $C_L = 35\text{ pF}$ , $V_S = 1.5\text{ V}$ ; Test Circuit 4
Break-Before-Make Time Delay, $t_D$		5 1	ns typ ns min	$R_L = 100\ \Omega$ , $C_L = 35\text{ pF}$ , $V_{S1} = V_{S2} = 3\text{ V}$ ; Test Circuit 5
Off Isolation		-65	dB typ	$R_L = 50\ \Omega$ , $f = 10\text{ MHz}$ ; Test Circuit 7
Channel-to-Channel Crosstalk		-75	dB typ	$R_L = 50\ \Omega$ , $f = 10\text{ MHz}$ ; Test Circuit 8
Bandwidth -3 dB		240	MHz typ	$R_L = 50\ \Omega$ ; Test Circuit 6
Distortion		2	% typ	$R_L = 50\ \Omega$
Charge Injection		3	pC typ	$C_L = 1\text{ nF}$ ; Test Circuit 9
$C_S$ (OFF)		10	pF typ	$f = 1\text{ kHz}$
$C_D$ (OFF)		20	pF typ	$f = 1\text{ kHz}$
$C_D$ , $C_S$ (ON)		30	pF typ	$f = 1\text{ MHz}$
<b>POWER REQUIREMENTS</b>				
$I_{DD}$	0.001	1	$\mu\text{A}$ max $\mu\text{A}$ typ	$V_{DD} = 3.3\text{ V}$ Digital Inputs = 0 V or $V_{DD}$
$I_{IN}$		1	$\mu\text{A}$ typ	$V_{IN} = 3\text{ V}$
$I_O$		100	mA max	$V_S/V_D = 0\text{ V}$

## NOTES

<sup>1</sup>Temperature ranges are as follows: B Version,  $-40^\circ\text{C}$  to  $+85^\circ\text{C}$ .<sup>2</sup>Guaranteed by design, not subject to production test.

Specifications subject to change without notice.

Table I. Truth Table

$\overline{\text{EN}}$	IN	D1	D2	D3	D4	Function
1	X	Hi-Z	Hi-Z	Hi-Z	Hi-Z	DISABLE
0	0	S1A	S2A	S3A	S4A	IN = 0
0	1	S1B	S2B	S3B	S4B	IN = 1

# ADG784

## ABSOLUTE MAXIMUM RATINGS<sup>1</sup>

(T<sub>A</sub> = 25°C unless otherwise noted.)

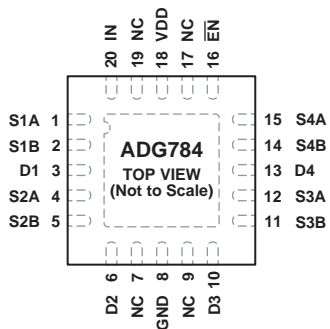
V <sub>DD</sub> to GND	.....	-0.3 V to +6 V
Analog, Digital Inputs <sup>2</sup>	.....	-0.3 V to V <sub>DD</sub> + 0.3 V or 30 mA, Whichever Occurs First
Continuous Current, S or D	.....	100 mA
Peak Current, S or D	.....	300 mA (Pulsed at 1 ms, 10% Duty Cycle max)
Operating Temperature Range		
Industrial (B Version)	.....	-40°C to +85°C
Storage Temperature Range	.....	-65°C to +150°C
Junction Temperature	.....	150°C
Chip Scale Package		
θ <sub>JA</sub> Thermal Impedance	.....	32°C/W
Lead Temperature, Soldering		
Vapor Phase (60 sec)	.....	215°C
Infrared (15 sec)	.....	220°C
ESD	.....	2 kV

### NOTES

<sup>1</sup>Stresses above those listed under Absolute Maximum Ratings may cause permanent damage to the device. This is a stress rating only; functional operation of the device at these or any other conditions above those listed in the operational sections of this specification is not implied. Exposure to absolute maximum rating conditions for extended periods may affect device reliability. Only one absolute maximum rating may be applied at any one time.

<sup>2</sup>Overvoltages at IN, S or D will be clamped by internal diodes. Current should be limited to the maximum ratings given.

### PIN CONFIGURATION



### NOTES

1. NC = NO CONNECT.
2. EXPOSED PAD TIED TO SUBSTRATE, GND.

## TERMINOLOGY

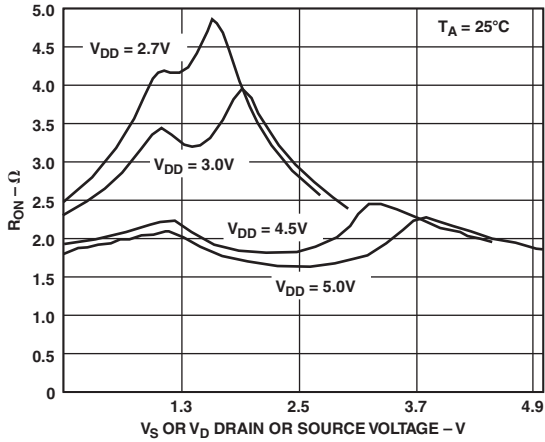
V <sub>DD</sub>	Most Positive Power Supply Potential.
GND	Ground (0 V) Reference.
S	Source Terminal. May be an input or output.
D	Drain Terminal. May be an input or output.
IN	Logic Control Input.
$\overline{\text{EN}}$	Logic Control Input.
R <sub>ON</sub>	Ohmic resistance between D and S.
ΔR <sub>ON</sub>	On Resistance match between any two channels i.e., R <sub>ON</sub> max – R <sub>ON</sub> min.
R <sub>FLAT(ON)</sub>	Flatness is defined as the difference between the maximum and minimum value of on resistance as measured over the specified analog signal range.
I <sub>S</sub> (OFF)	Source Leakage Current with the switch “OFF.”
I <sub>D</sub> (OFF)	Drain Leakage Current with the switch “OFF.”
I <sub>D</sub> , I <sub>S</sub> (ON)	Channel Leakage Current with the switch “ON.”
V <sub>D</sub> (Vs)	Analog Voltage on Terminals D, S.
C <sub>S</sub> (OFF)	“OFF” Switch Source Capacitance.
C <sub>D</sub> (OFF)	“OFF” Switch Drain Capacitance.
C <sub>D</sub> , C <sub>S</sub> (ON)	“ON” Switch Capacitance.
t <sub>ON</sub>	Delay between applying the digital control input and the output switching on. See Test Circuit 4.
t <sub>OFF</sub>	Delay between applying the digital control input and the output switching Off.
t <sub>D</sub>	“OFF” time or “ON” time measured between the 90% points of both switches, when switching from one address state to another. See Test Circuit 5.
Crosstalk	A measure of unwanted signal that is coupled through from one channel to another as a result of parasitic capacitance.
Off Isolation	A measure of unwanted signal coupling through an “OFF” switch.
Bandwidth	Frequency response of the switch in the ON state measured at 3 dB down.
Distortion	R <sub>FLAT(ON)</sub> /R <sub>L</sub>

## CAUTION

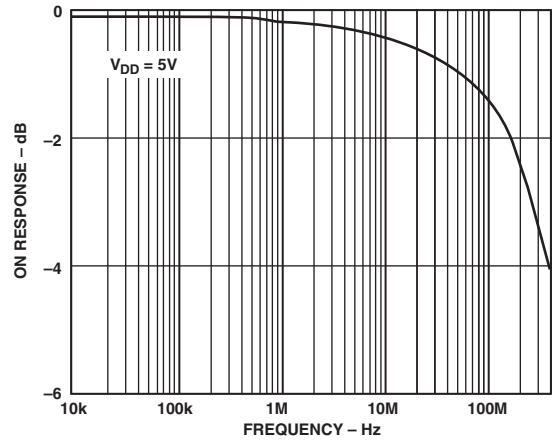
ESD (electrostatic discharge) sensitive device. Electrostatic charges as high as 4000 V readily accumulate on the human body and test equipment and can discharge without detection. Although the ADG784 features proprietary ESD protection circuitry, permanent damage may occur on devices subjected to high-energy electrostatic discharges. Therefore, proper ESD precautions are recommended to avoid performance degradation or loss of functionality.



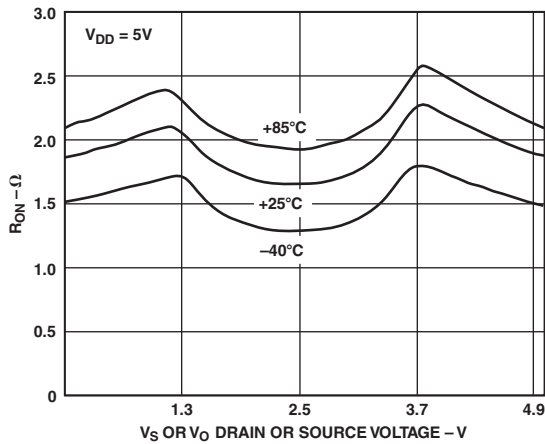
# Typical Performance Characteristics—ADG784



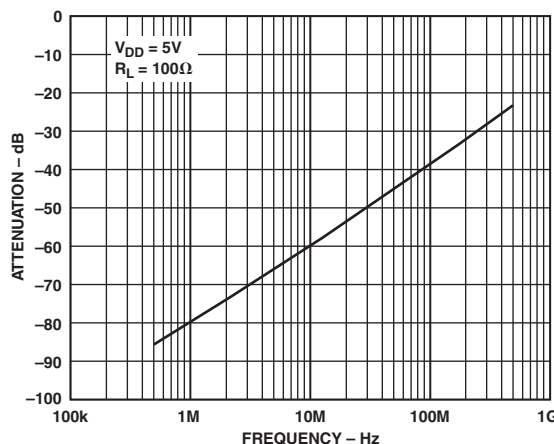
TPC 1. On Resistance as a Function of  $V_D$  ( $V_S$ ) for Various Single Supplies



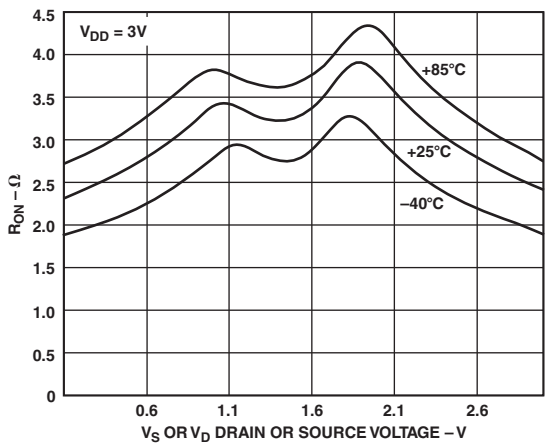
TPC 4. On Response vs. Frequency



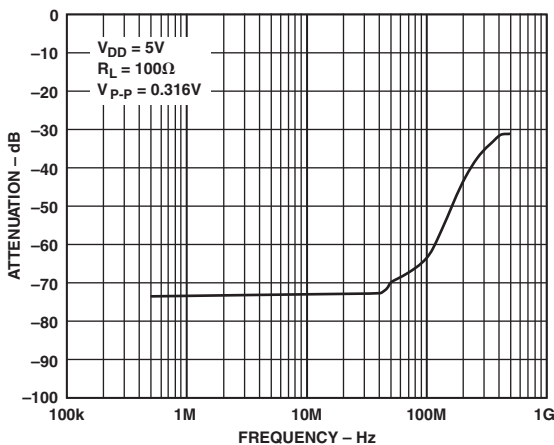
TPC 2. On Resistance as a Function of  $V_D$  ( $V_S$ ) for Different Temperatures with 5 V Single Supplies



TPC 5. Off Isolation vs. Frequency

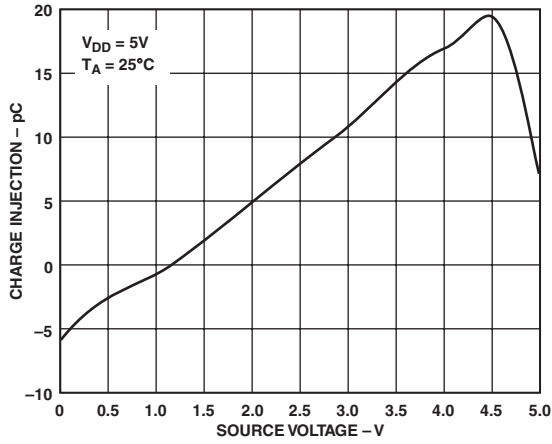


TPC 3. On Resistance as a Function of  $V_D$  ( $V_S$ ) for Different Temperatures with 3 V Single Supplies



TPC 6. Crosstalk vs. Frequency

# ADG784



TPC 7. Charge Injection vs. Source Voltage

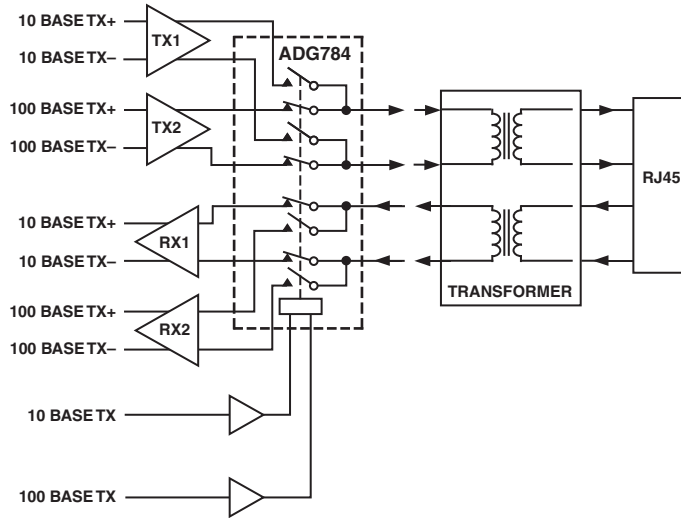


Figure 1. Full Duplex Transceiver

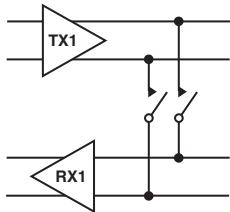


Figure 2. Loop Back

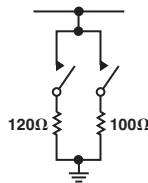


Figure 3. Line Termination

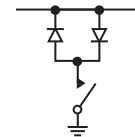
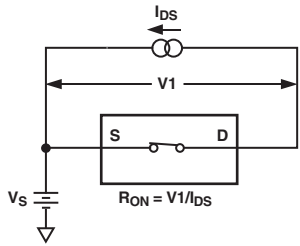
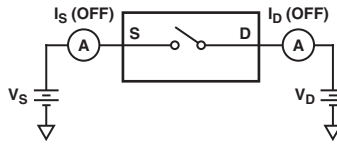


Figure 4. Line Clamp

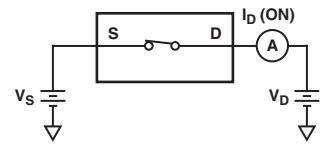
# Test Circuits



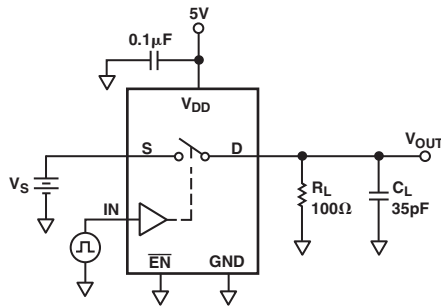
Test Circuit 1. On Resistance



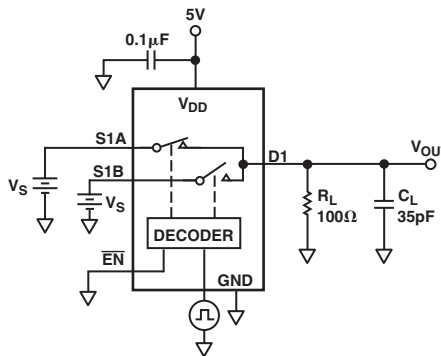
Test Circuit 2. Off Leakage



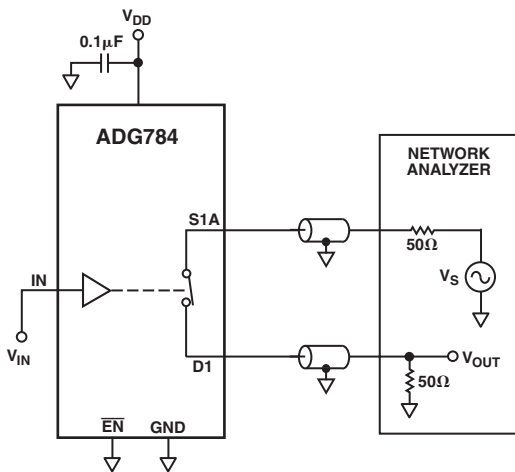
Test Circuit 3. On Leakage



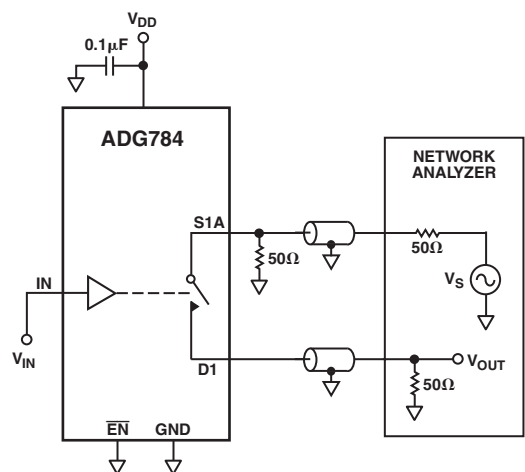
Test Circuit 4. Switching Times



Test Circuit 5. Break-Before-Make Time Delay



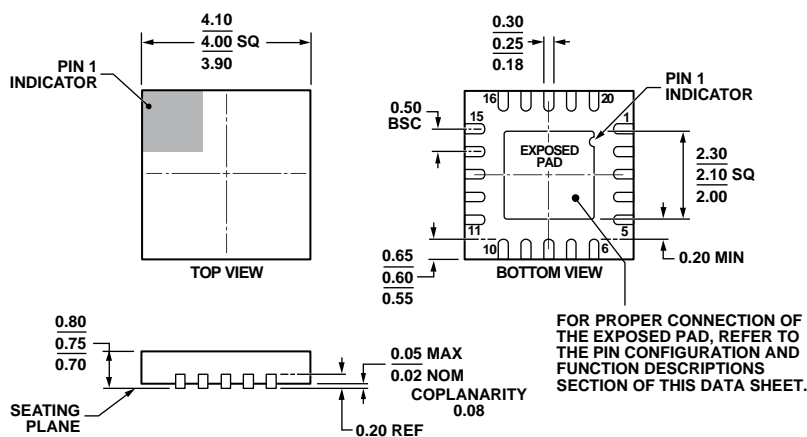
Test Circuit 6. Bandwidth



Test Circuit 7. Off Isolation



# OUTLINE DIMENSIONS



COMPLIANT TO JEDEC STANDARDS MO-220-WGGD-1.

Figure 37. 20-Lead Lead Frame Chip Scale Package [LFCSP\_WQ]  
 4 mm × 4 mm Body, Very Very Thin Quad  
 (CP-20-6)  
 Dimensions shown in millimeters

08-16-2010-B

## ORDERING GUIDE

Model <sup>1</sup>	Temperature Range	Package Description	Package Option
ADG784BCPZ	-40°C to +85°C	20-Lead LFCSP_WQ	CP-20-6
ADG784BCPZ-REEL	-40°C to +85°C	20-Lead LFCSP_WQ	CP-20-6
ADG784BCPZ-REEL7	-40°C to +85°C	20-Lead LFCSP_WQ	CP-20-6

<sup>1</sup> Z = RoHS Compliant Part.

## REVISION HISTORY

### 2/13—Rev. 0 to Rev. A

Changes to Pin Configuration.....	4
Updated Outline Dimensions.....	9
Changes to Ordering Guide.....	9

### 4/01—Revision 0: Initial Version

## Looking for pricing, stock, or lifecycle information?

Click below to explore more details on WIN SOURCE:

- ⊖ View [ADG784BCPZ-REEL7](#) on WIN SOURCE
- ⊖ [Analog Devices Inc.](#) Information

## Optimize Your Supply Chain with WIN SOURCE Solutions

- ✓ Global Sourcing Solution
- ✓ Obsolete Management
- ✓ Cost Control Management
- ✓ Shortage Management
- ✓ Alternative Solution
- ✓ Excess Inventory Management