



**THE DATASHEET OF
LC75844MHS-MPB-E**



LC75844M

1/4-Duty General-Purpose LCD Driver



ON Semiconductor[®]

www.onsemi.com

Overview

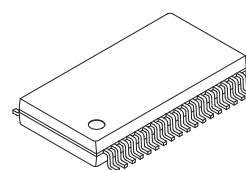
The LC75844M is a 1/4 duty general-purpose LCD driver that can be used for frequency display in electronic tuners under the control of a microcontroller. The LC75844M can drive an LCD with up to 88 segments directly. The LC75844M can also control up to 4 general-purpose output ports. Since the LC75844M uses separate power supply systems for the LCD drive block and the logic block, the LCD driver block power-supply voltage can be set to any voltage in the range 2.7 to 6.0 volts, regardless of the logic block power-supply voltage.

Application

- Car, Home frequency display

Features

- Support for 1/4 duty 1/2 bias or 1/4 duty 1/3 bias drive of up to 88 segments under serial data control.
- Serial data input supports CCB format communication with the system controller.
- Serial data control of the power-saving mode based backup function and all the segments forced off function
- Serial data control of switching between the segment output port and the general-purpose output port functions
- High generality, since display data is displayed directly without decoder intervention.
- Independent V_{LCD} for the LCD driver block (V_{LCD} can be set to any voltage in the range 2.7 to 6.0 volts, regardless of the logic block power-supply voltage.)
- The INH pin can force the display to the off state.
- RC oscillator circuit



SOIC36 W / MFP36SDJ (375 mil)

* Computer Control Bus (CCB) is an ON Semiconductor's original bus format and the bus addresses are controlled by ON Semiconductor.

ORDERING INFORMATION

See detailed ordering and shipping information on page 16 of this data sheet.

LC75844M

Specifications

Absolute Maximum Ratings at $T_a = 25^\circ\text{C}$, $V_{SS} = 0\text{ V}$

Parameter	Symbol	Conditions	Ratings	Unit
Maximum supply voltage	$V_{DD\text{ max}}$	V_{DD}	-0.3 to +7.0	V
	$V_{LCD\text{ max}}$	V_{LCD}	-0.3 to +7.0	
Input voltage	V_{IN1}	CE, CL, DI, \overline{INH}	-0.3 to +7.0	V
	V_{IN2}	OSC	-0.3 to $V_{DD}+0.3$	
	V_{IN3}	V_{LCD1} , V_{LCD2}	-0.3 to $V_{LCD}+0.3$	
Output voltage	V_{OUT1}	OSC	-0.3 to $V_{DD}+0.3$	V
	V_{OUT2}	S1 to S22, COM1 to COM4, P1 to P4	-0.3 to $V_{LCD}+0.3$	
Output current	I_{OUT1}	S1 to S22	300	μA
	I_{OUT2}	COM1 to COM4	3	mA
	I_{OUT3}	P1 to P4	5	
Allowable power dissipation	$P_d\text{ max}$	$T_a = 85^\circ\text{C}$	100	mW
Operating temperature	T_{opr}		-40 to +85	$^\circ\text{C}$
Storage temperature	T_{stg}		-55 to +125	$^\circ\text{C}$

Stresses exceeding those listed in the Maximum Ratings table may damage the device. If any of these limits are exceeded, device functionality should not be assumed, damage may occur and reliability may be affected.

Allowable Operating Ranges at $T_a = -40$ to $+85^\circ\text{C}$, $V_{SS} = 0\text{ V}$

Parameter	Symbol	Conditions	Ratings			Unit
			min	typ	max	
Supply voltage	V_{DD}	V_{DD}	2.7		6.0	V
	V_{LCD}	V_{LCD}	2.7		6.0	
Input voltage	V_{LCD1}	V_{LCD1}		$2/3V_{LCD}$	V_{LCD}	V
	V_{LCD2}	V_{LCD2}		$1/3V_{LCD}$	V_{LCD}	
Input high-level voltage	V_{IH}	CE, CL, DI, \overline{INH}	$0.8V_{DD}$		6.0	V
Input low-level voltage	V_{IL}	CE, CL, DI, \overline{INH}	0		$0.2V_{DD}$	V
Recommended external resistor	R_{osc}	OSC		43		k Ω
Recommended external capacitor	C_{osc}	OSC		680		pF
Oscillation guaranteed range	f_{osc}	OSC	25	50	100	kHz
Data setup time	t_{ds}	CL, DI [Figure 2]	160			ns
Data hold time	t_{dh}	CL, DI [Figure 2]	160			ns
CE wait time	t_{cp}	CE, CL [Figure 2]	160			ns
CE setup time	t_{cs}	CE, CL [Figure 2]	160			ns
CE hold time	t_{ch}	CE, CL [Figure 2]	160			ns
High-level clock pulse width	$t_{\phi H}$	CL [Figure 2]	160			ns
Low-level clock pulse width	$t_{\phi L}$	CL [Figure 2]	160			ns
Rise time	t_r	CE, CL, DI [Figure 2]		160		ns
Fall time	t_f	CE, CL, DI [Figure 2]		160		ns
\overline{INH} switching time	t_c	\overline{INH} , CE [Figure 3]	10			μs

Functional operation above the stresses listed in the Recommended Operating Ranges is not implied. Extended exposure to stresses beyond the Recommended Operating Ranges limits may affect device reliability.

LC75844M

Electrical Characteristics at Allowable Operating Ranges

Parameter	Symbol	Pin	Conditions	Ratings			Unit
				min	typ	max	
Hysteresis width	V_H	CE, CL, DI, \overline{INH}			$0.1V_{DD}$		V
Input high-level current	I_{IH}	CE, CL, DI, \overline{INH}	$V_I = 6.0\text{ V}$			5.0	μA
Input low-level current	I_{IL}	CE, CL, DI, \overline{INH}	$V_I = 0\text{ V}$	-5.0			μA
Output high-level voltage	V_{OH1}	S1 to S22	$I_O = -20\ \mu\text{A}$	$V_{LCD}-0.9$			V
	V_{OH2}	COM1 to COM4	$I_O = -100\ \mu\text{A}$	$V_{LCD}-0.9$			
	V_{OH3}	P1 to P4	$I_O = -1\text{ mA}$	$V_{LCD}-0.9$			
Output low-level voltage	V_{OL1}	S1 to S22	$I_O = 20\ \mu\text{A}$			0.9	V
	V_{OL2}	COM1 to COM4	$I_O = 100\ \mu\text{A}$			0.9	
	V_{OL3}	P1 to P4	$I_O = 1\text{ mA}$			0.9	
Output middle-level voltage *1	V_{MID1}	COM1 to COM4	1/2 bias, $I_O = \pm 100\ \mu\text{A}$	$1/2V_{LCD}$ -0.9		$1/2V_{LCD}$ +0.9	V
	V_{MID2}	S1 to S22	1/3 bias, $I_O = \pm 20\ \mu\text{A}$	$2/3V_{LCD}$ -0.9		$2/3V_{LCD}$ +0.9	
	V_{MID3}	S1 to S22	1/3 bias, $I_O = \pm 20\ \mu\text{A}$	$1/3V_{LCD}$ -0.9		$1/3V_{LCD}$ +0.9	
	V_{MID4}	COM1 to COM4	1/3 bias, $I_O = \pm 100\ \mu\text{A}$	$2/3V_{LCD}$ -0.9		$2/3V_{LCD}$ +0.9	
	V_{MID5}	COM1 to COM4	1/3 bias, $I_O = \pm 100\ \mu\text{A}$	$1/3V_{LCD}$ -0.9		$1/3V_{LCD}$ +0.9	
Oscillator frequency	f_{OSC}	OSC	$R_{osc} = 43\text{ k}\Omega$ $C_{osc} = 680\text{ pF}$	40	50	60	kHz
Supply current	I_{DD1}	V_{DD}	Power saving mode			5	μA
	I_{DD2}	V_{DD}	$V_{DD} = 6.0\text{ V}$, output open, $f_{osc} = 50\text{ kHz}$		230	460	
	I_{LCD1}	V_{LCD}	Power saving mode			5	
	I_{LCD2}	V_{LCD}	$V_{LCD} = 6.0\text{ V}$, output open, 1/2 bias, $f_{osc} = 50\text{ kHz}$		100	200	
	I_{LCD3}	V_{LCD}	$V_{LCD} = 6.0\text{ V}$, output open, 1/3 bias, $f_{osc} = 50\text{ kHz}$		60	120	

Note: *1 Excluding the bias voltage generation divider resistors built into V_{LCD1} , V_{LCD2} . (See Figure 1.)

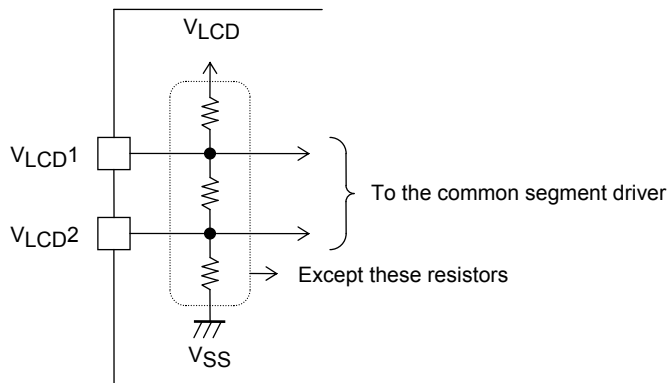
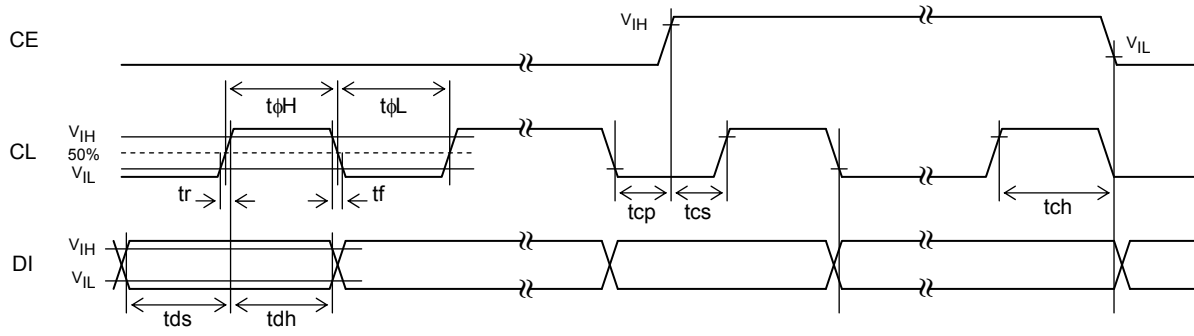


Figure 1

Product parametric performance is indicated in the Electrical Characteristics for the listed test conditions, unless otherwise noted. Product performance may not be indicated by the Electrical Characteristics if operated under different conditions.

LC75844M

1. When CL is stopped at the low level



2. When CL is stopped at the high level

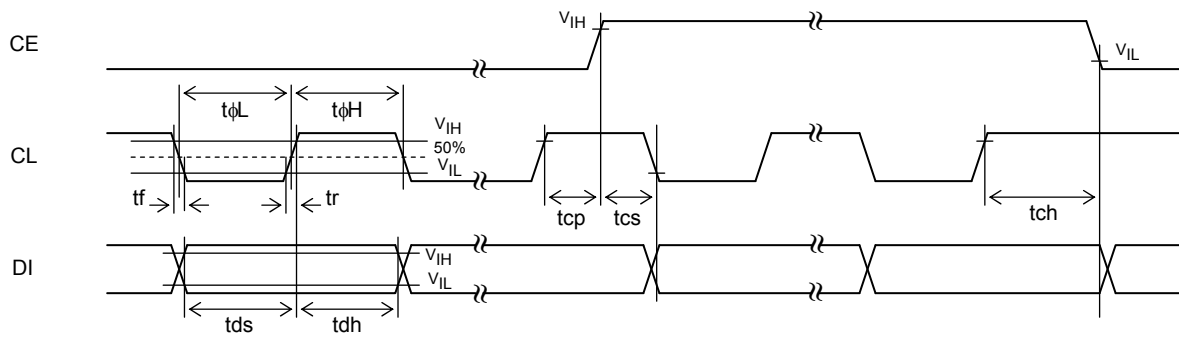


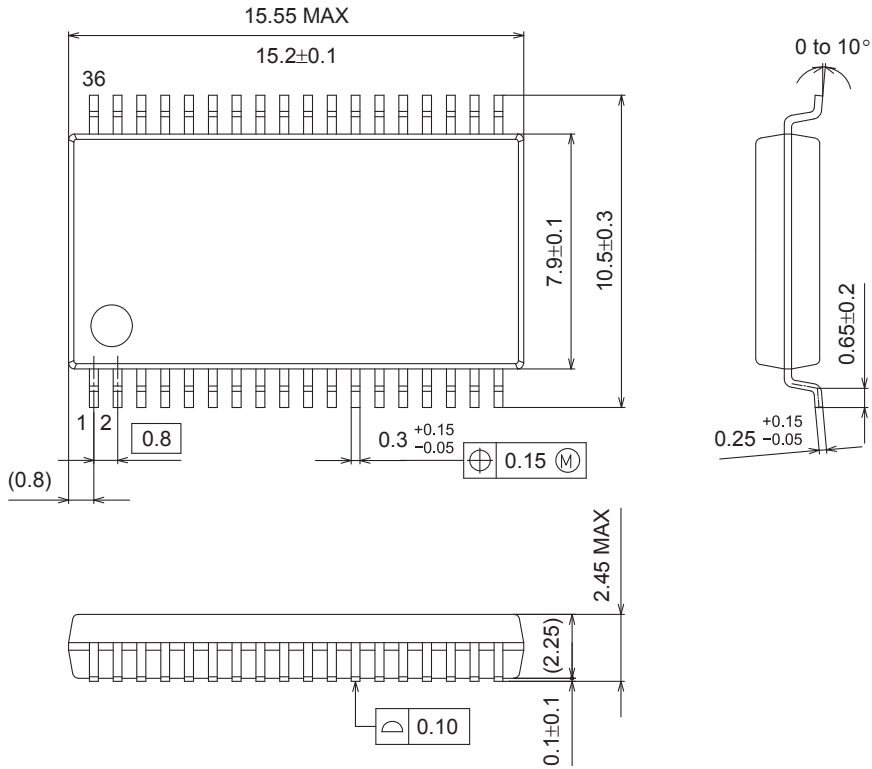
Figure 2

LC75844M

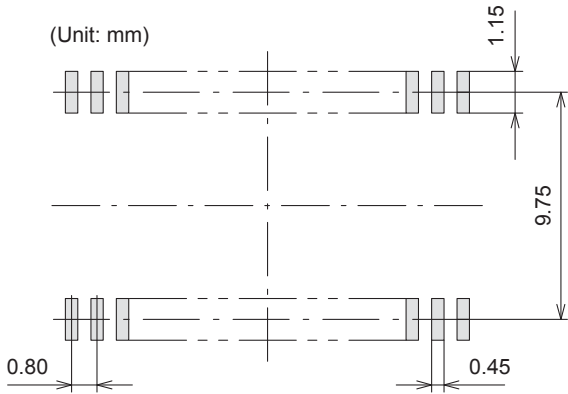
Package Dimensions

unit : mm

SOIC36 W / MFP36SDJ (375 mil)
 CASE 751CM
 ISSUE A



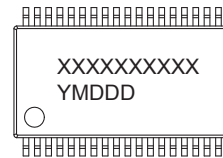
SOLDERING FOOTPRINT*



NOTE: The measurements are not to guarantee but for reference only.

*For additional information on our Pb-Free strategy and soldering details, please download the ON Semiconductor Soldering and Mounting Techniques Reference Manual, SOLDERRM/D.

GENERIC MARKING DIAGRAM*

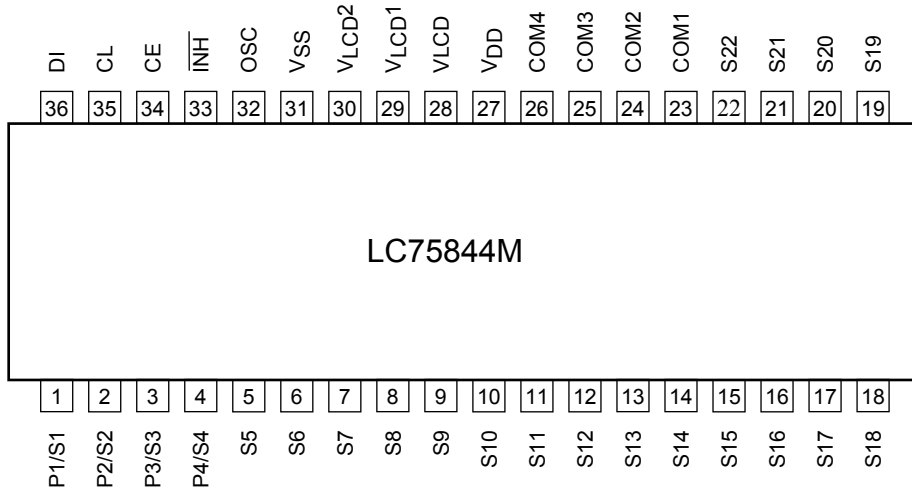


XXXXX = Specific Device Code
 Y = Year
 M = Month
 DDD = Additional Traceability Data

*This information is generic.
 Pb-Free indicator, "G" or microdot "•", may or may not be present.

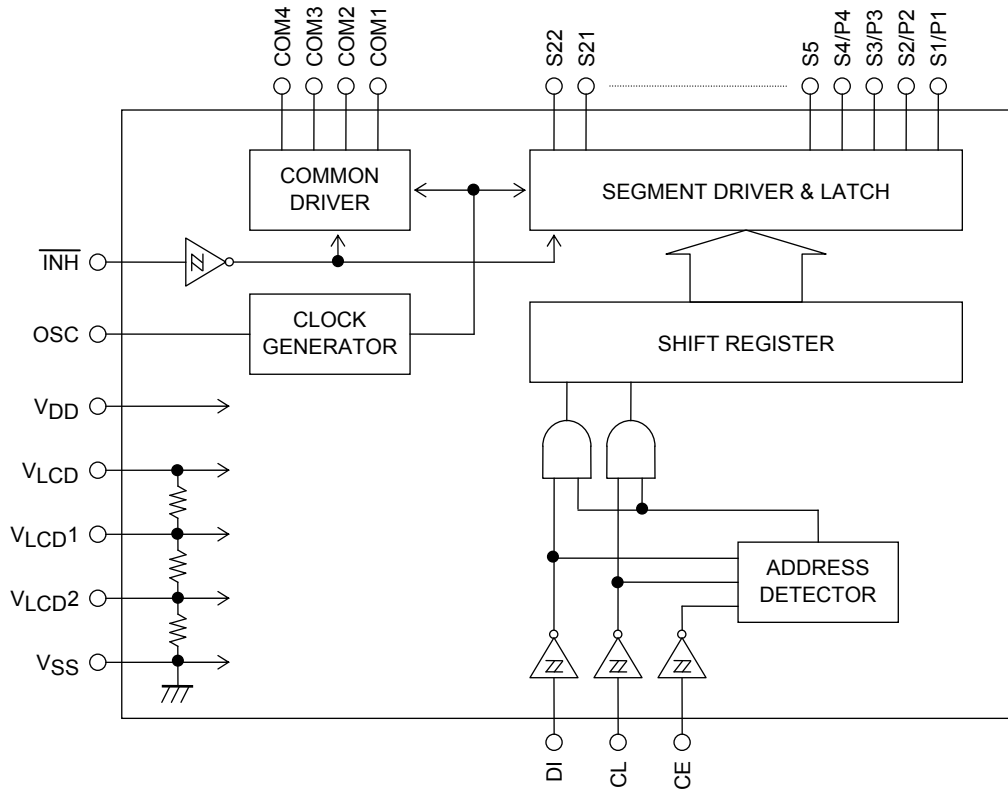
LC75844M

Pin Assignment



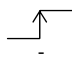
Top view

Block Diagram



LC75844M

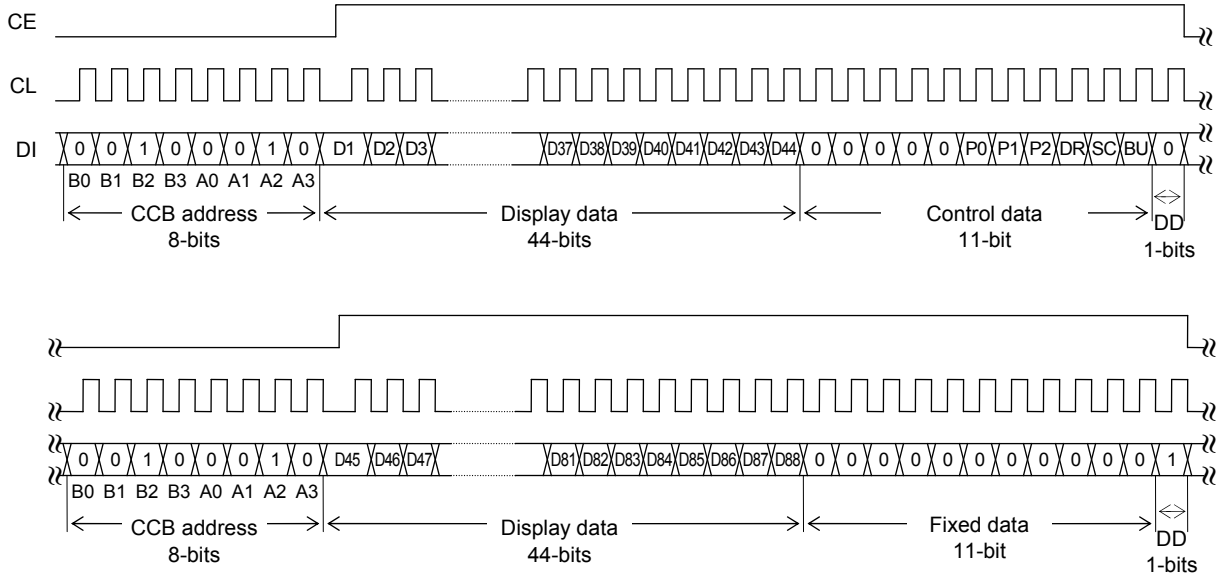
Pin Functions

Symbol	Pin No.	Function	Active	I/O	Handling when unused
S1/P1 to S4/P4 S5 to S22	1 to 4 5 to 22	Segment outputs for displaying the display data transferred by serial data input. The S1/P1 to S4/P4 pins can be used as general-purpose output ports under serial data control.	-	O	OPEN
COM1 to COM4	23 to 26	Common driver outputs The frame frequency (fo) is given by: $f_o = (f_{osc}/512)$ Hz.	-	O	OPEN
OSC	32	Oscillator pin, which, together with externally connected resistor and capacitor, makes up an oscillator circuit.	-	I/O	V _{DD}
CE CL DI	34 35 36	Serial data transfer input pin to be connected to the controller. CE: Chip enable CL: Synchronization clock DI: Transfer data		I I I	GND
$\overline{\text{INH}}$	33	Display off input pin • $\overline{\text{INH}} = \text{"L"}$ (V _{SS}) ... OFF S1/P1 to S4/P4 = "L" (V _{SS}) (Fixed to "L" after forced selection of segment output port.) S5 to S22 = "L" (V _{SS}) COM1 to COM4 = "L" (V _{SS}) • $\overline{\text{INH}} = \text{"H"}$ (V _{DD}) ... ON Note that the serial data can be transferred when OFF.	L	I	GND
V _{LCD1}	29	Used for applying the LCD driver 2/3 bias voltage externally. Must be connected to V _{LCD2} when a 1/2 bias scheme is used.	-	I	OPEN
V _{LCD2}	30	Used for applying the LCD driver 1/3 bias voltage externally. Must be connected to V _{LCD1} when a 1/2 bias scheme is used.	-	I	OPEN
V _{DD}	27	Logic block power supply pin to provide a voltage between 2.7 V to 6.0 V.	-	-	-
V _{LCD}	28	LCD driver power supply pin to provide a voltage between 2.7 V to 6.0 V.	-	-	-
V _{SS}	31	Power supply pin to connect to ground.	-	-	-

LC75844M

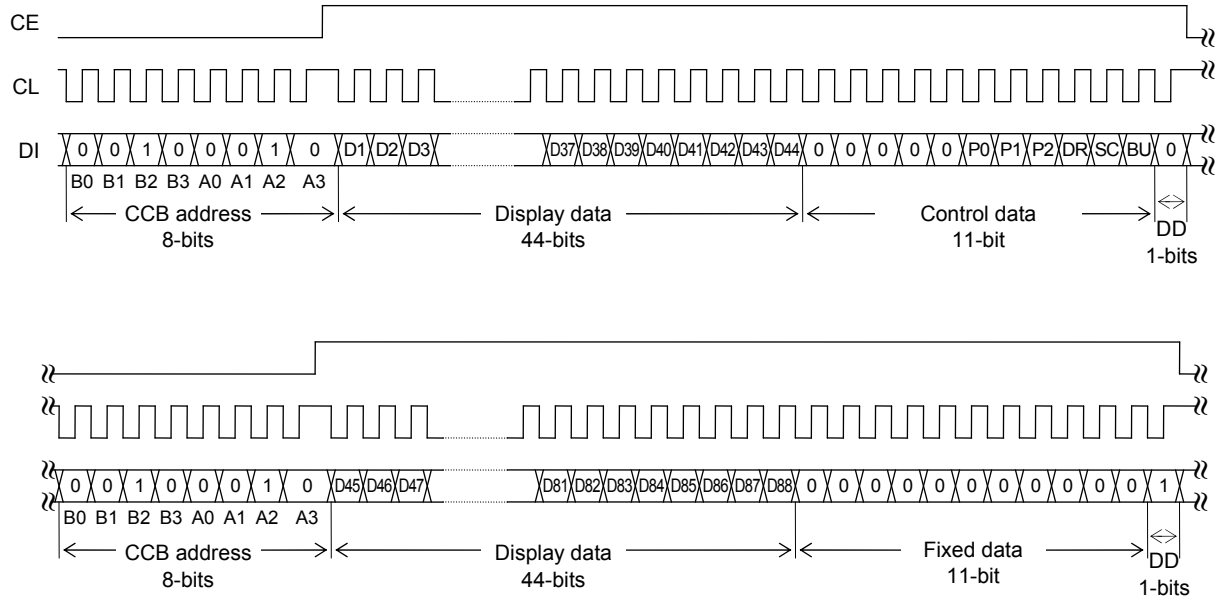
Serial Data Transfer Form

(1) When CL is stopped at the low level



Note) DD Direction data

(2) When CL is stopped at the low level

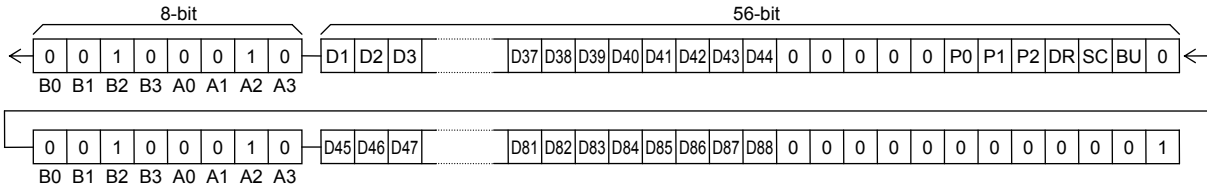


Note) DD Direction data

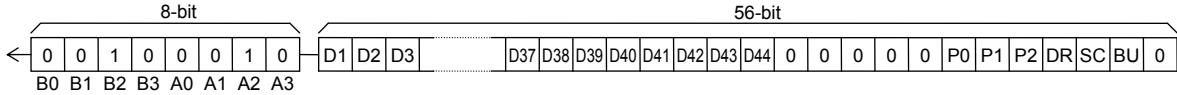
- CCB address .. “44H”
- D1 to D88 Display data
- P0 to P2 Segment output port / general-purpose output port switching control data
- DR 1/2 bias driver / 1/3 bias driver switching control data
- SC Segment ON, OFF control data
- BU Normal mode, power save mode control data

Example of Serial Data Transfer

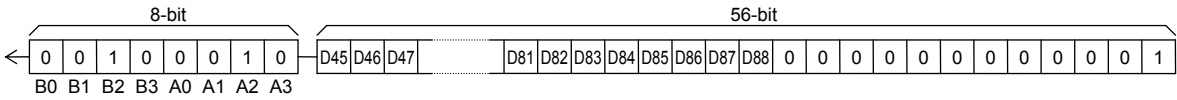
- When used with 45 segments or more
Serial data must be transferred all 112-bit.



- When fewer than 45 segments are used, only 56-bits of serial data need to be sent. However, the display data D1 to D44 and the control data must be sent.



Note) When fewer than 45 segments are used, transfers such as that shown in the figure below cannot be used.



Control Data Description

- (1) P0 to P2 Segment output port/General-purpose output port switching control data

This control data switching output S1/P1 to S4/P4 segment output port and general-purpose output port.

Control data			Output pin state			
P0	P1	P2	S1/P1	S2/P2	S3/P3	S4/P4
0	0	0	S1	S2	S3	S4
0	0	1	P1	S2	S3	S4
0	1	0	P1	P2	S3	S4
0	1	1	P1	P2	P3	S4
1	0	0	P1	P2	P3	P4

Note) Sn (n=1 to 4): Segment output port
Pn (n=1 to 4): General-purpose output port

The following shows the correspondence between output pins and display data when the general-purpose output port is selected.

Output pin	Correspondence display data
S1/P1	D1
S2/P2	D5
S3/P3	D9
S4/P4	D13

For example, if output pin S4/P4 is for the general-purpose output port, output pin S4/P4 outputs high and low-level when display data D13="1" and D13="0", respectively.

- (2) DR 1/2 bias drive, 1/3 bias driver switching control data

This control data switching LCD 1/2 bias driver and 1/3 bias driver.

DR	Driver method
0	1/3 bias driver
1	1/2 bias driver

LC75844M

(3) SC Segment ON, OFF control data

This control data controls segment ON and OFF.

SC	Display state
0	ON
1	OFF

Note: that the OFF state with SC=[1] corresponds to the OFF state due to output of the display OFF waveform from the segment output pin.

(4) BU Normal mode, Power save mode control data

This control data controls normal mode and power save mode.

BU	Mode
0	Normal mode
1	Power save mode (oscillation on the OSC pin stops and the common, segment output pins go low, However, output pins S1/P1 to S4/P4 can be used as the general-purpose output port by the use of control data P0 to P2.)

Display data and output pin correspondence

Output pin	COM1	COM2	COM3	COM4
S1/P1	D1	D2	D3	D4
S2/P2	D5	D6	D7	D8
S3/P3	D9	D10	D11	D12
S4/P4	D13	D14	D15	D16
S5	D17	D18	D19	D20
S6	D21	D22	D23	D24
S7	D25	D26	D27	D28
S8	D29	D30	D31	D32
S9	D33	D34	D35	D36
S10	D37	D38	D39	D40
S11	D41	D42	D43	D44

Output pin	COM1	COM2	COM3	COM4
S12	D45	D46	D47	D48
S13	D49	D50	D51	D52
S14	D53	D54	D55	D56
S15	D57	D58	D59	D60
S16	D61	D62	D63	D64
S17	D65	D66	D67	D68
S18	D69	D70	D71	D72
S19	D73	D74	D75	D76
S20	D77	D78	D79	D80
S21	D81	D82	D83	D84
S22	D85	D86	D87	D88

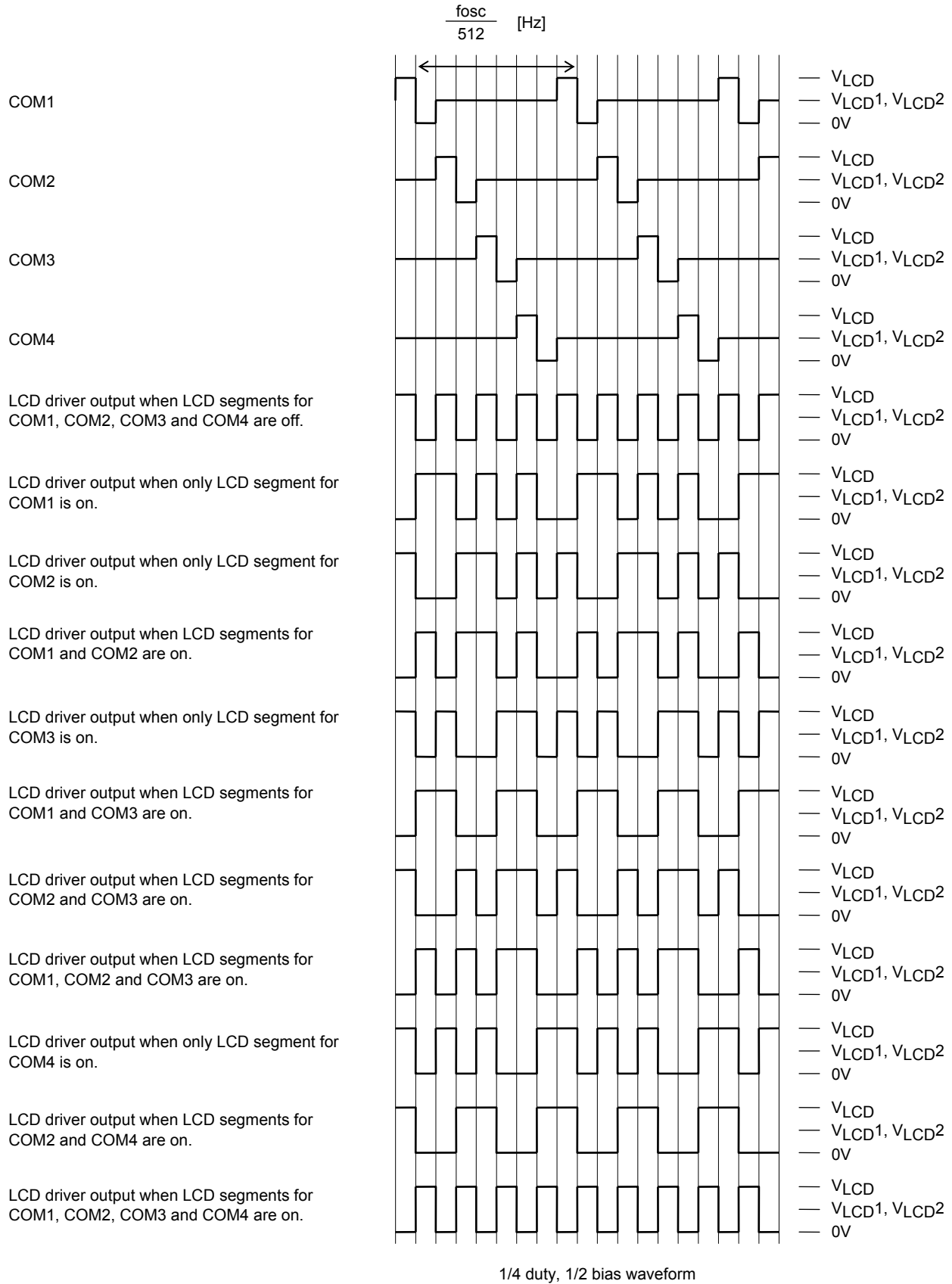
Note: Output pins S1/P1 to S4/P4 are for segment output port selection.

For example, the data to output pin correspondence for the output pin S11 is as follows.

Display data				Output pin (S11) state
D41	D42	D43	D44	
0	0	0	0	LCD segments for COM1, COM2, COM3 and COM4 OFF
0	0	0	1	LCD segment for COM4 ON
0	0	1	0	LCD segment for COM3 ON
0	0	1	1	LCD segments for COM3 and COM4 ON
0	1	0	0	LCD segment for COM2 ON
0	1	0	1	LCD segments for COM2 and COM4 ON
0	1	1	0	LCD segments for COM2 and COM3 ON
0	1	1	1	LCD segments for COM2, COM3 and 4 ON
1	0	0	0	LCD segment for COM1 ON
1	0	0	1	LCD segments for COM1 and COM4 ON
1	0	1	0	LCD segments for COM1 and COM3 ON
1	0	1	1	LCD segments for COM1, 3 and COM4 ON
1	1	0	0	LCD segments for COM1 and COM2 ON
1	1	0	1	LCD segments for COM1, COM2 and COM4 ON
1	1	1	0	LCD segments for COM1, COM2 and COM3 ON
1	1	1	1	LCD segments for COM1, COM2, COM3 and COM4 ON

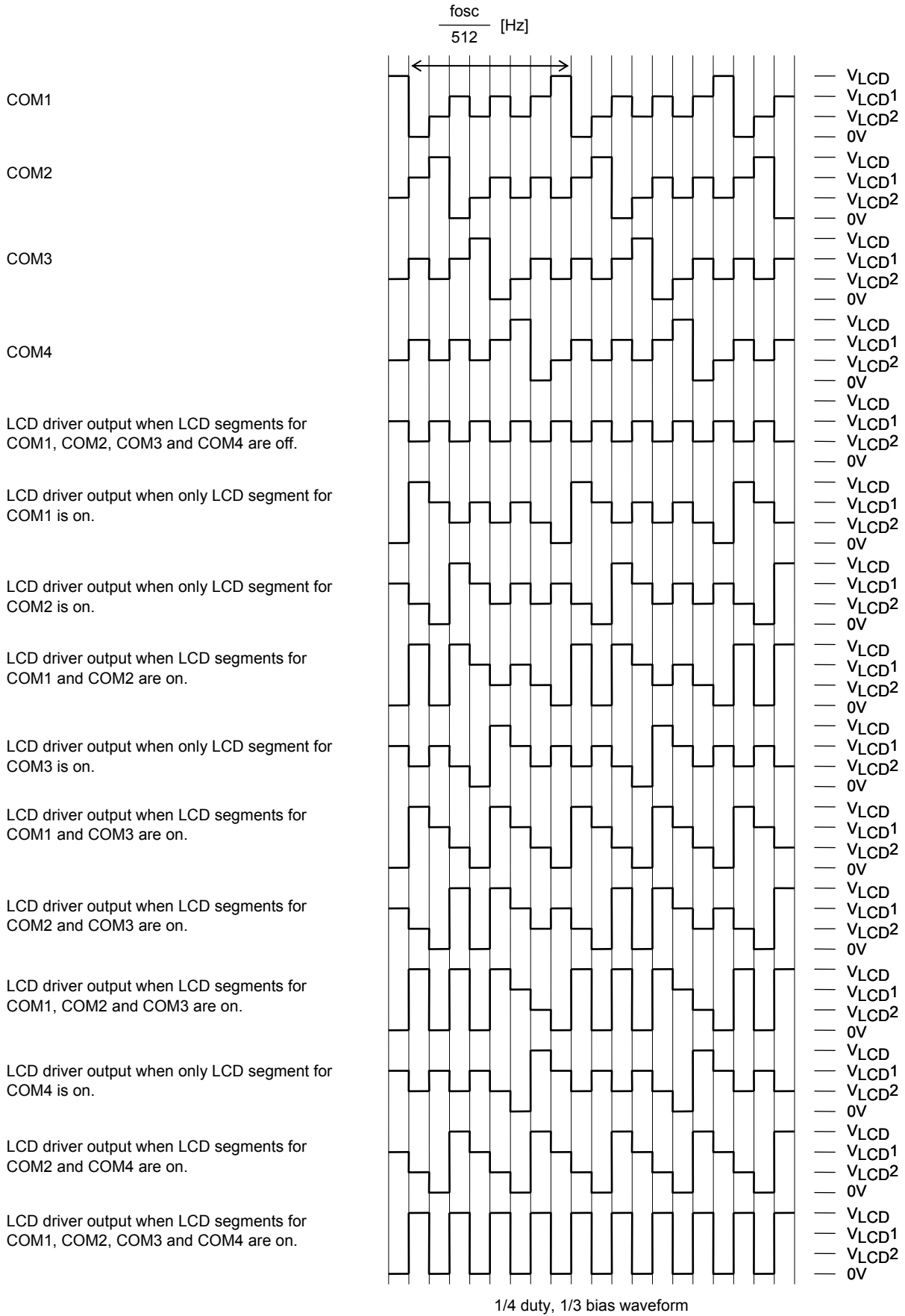
LC75844M

Output Waveforms (1/4-Duty 1/2-Bias ON System)



LC75844M

Output Waveforms (1/4-Duty 1/3-Bias ON System)



$\overline{\text{INH}}$ and Display Control

Since the IC internal data (D1 to D88, control data) is undefined immediately after applying power, hold $\overline{\text{INH}}$ low at same time as applying power to turn off the display (S1/P1 to S4/P4, S5 to S22, COM1 to COM4 ... V_{SS} level), and serial transfer data from the microprocessor during the period that $\overline{\text{INH}}$ is low.

When the data transfer is complete, set $\overline{\text{INH}}$ high.

This procedure will avoid displaying meaningless patterns at startup. (See Figure 3)

Power Sequence

Be sure to observe the following sequence for power ON/OFF (See Figure 3)

- Power ON: Logic block power (V_{DD}) ON \rightarrow LCD driver power (V_{LCD}) ON
- Power OFF: LCD driver power (V_{LCD}) OFF \rightarrow Logic block power (V_{DD}) OFF

When the logic block power (V_{DD}) and LCD driver power (V_{LCD}) are common, both power supplies can be turned ON/OFF simultaneously.

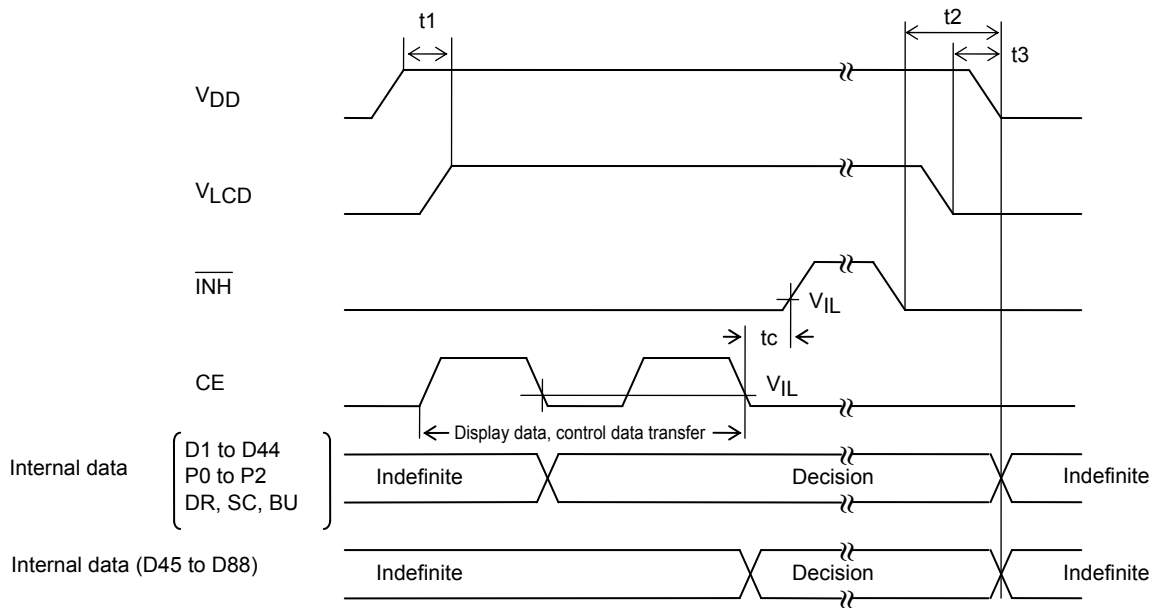


Figure 3

- Note:
- t₁ ≥ 0
 - t₂ > 0
 - t₃ ≥ 0 (t₂ > t₃)
 - t_c 10μs min

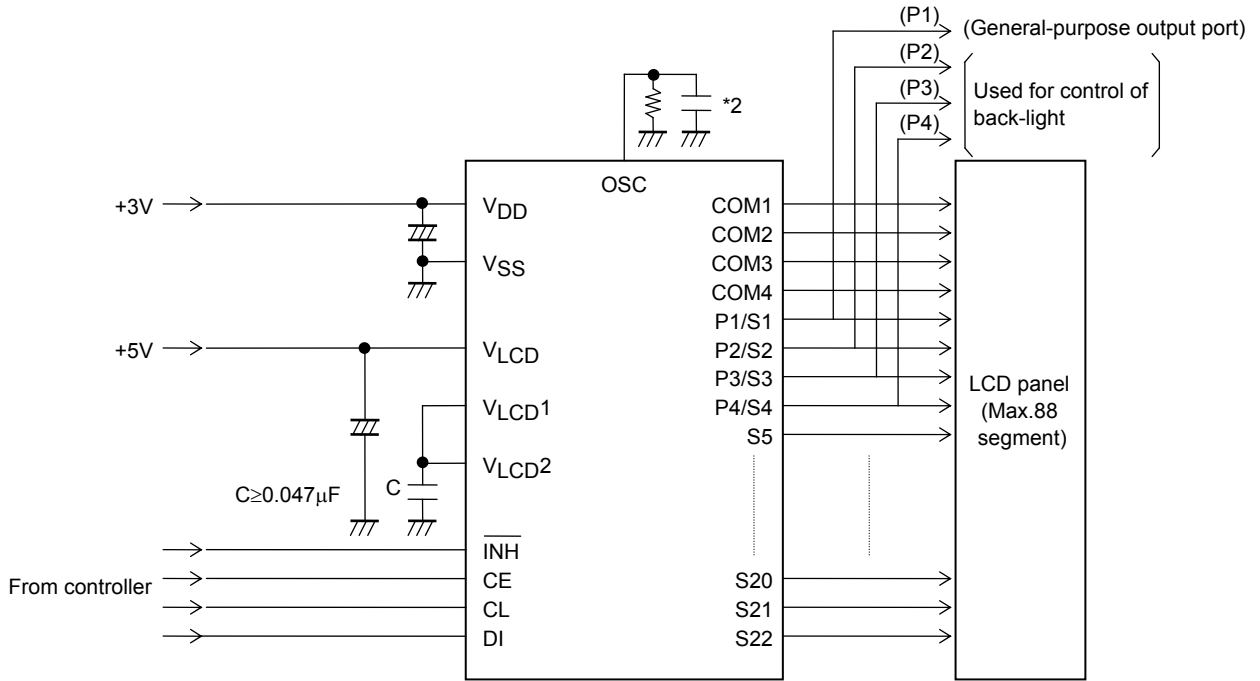
Note on Controller-used Display Data Transfer

Since the LC75844M is such that display data (D1 to D88) is transferred in 4 times, it is recommended to transfer display data within 30 [ms] in terms of display quality.

LC75844M

Sample Application Circuit 1

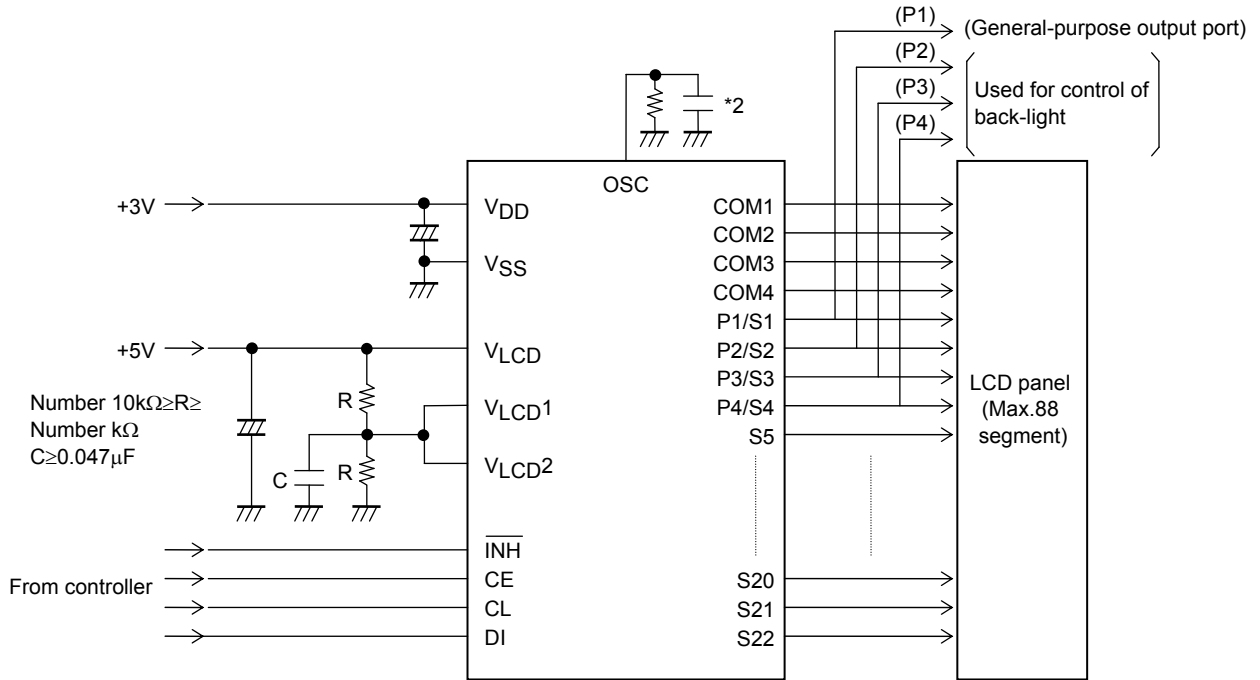
1/2 Bias (For normal panel)



*2 If a capacitor other than the external capacitor $C_{osc} = 680$ [pF] recommended is to be used, it is recommended to used a capacitor of 220 to 2200 [pF].

Sample Application Circuit 2

1/2 bias (For large panel)

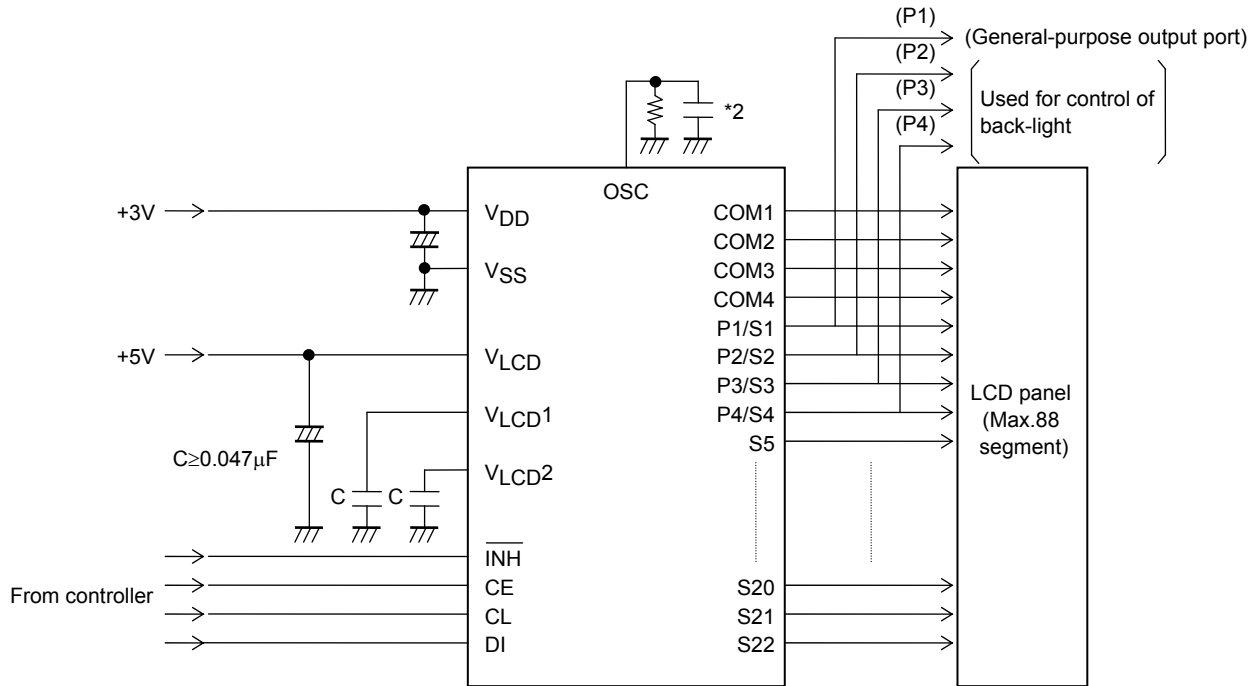


*2 If a capacitor other than the external capacitor $C_{osc} = 680$ [pF] recommended is to be used, it is recommended to used a capacitor of 220 to 2200 [pF].

LC75844M

Sample Application Circuit 3

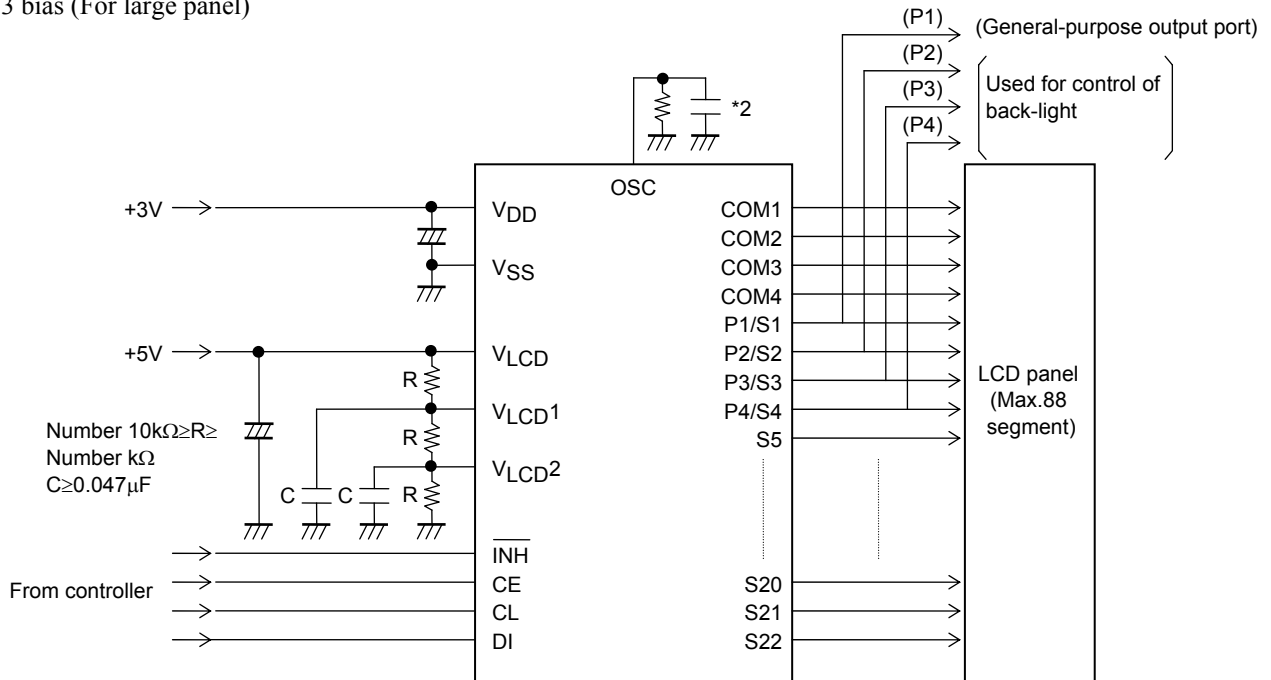
1/3 bias (For normal panel)



*2 If a capacitor other than the external capacitor $C_{osc} = 680$ [pF] recommended is to be used, it is recommended to used a capacitor of 220 to 2200 [pF].

Sample Application Circuit 4

1/3 bias (For large panel)



*2 If a capacitor other than the external capacitor $C_{osc} = 680$ [pF] recommended is to be used, it is recommended to used a capacitor of 220 to 2200 [pF].

LC75844M

ORDERING INFORMATION



Device	Package	Shipping (Qty / Packing)
LC75844M-E	SOIC36 W / MFP36SDJ (375 mil) (Pb-Free)	25 / Fan-Fold
LC75844M-TLM-E	SOIC36 W / MFP36SDJ (375 mil) (Pb-Free)	1000 / Tape & Reel
LC75844MHS-MPB-E	SOIC36 W / MFP36SDJ (375 mil) (Pb-Free)	25 / Fan-Fold
LC75844MHS-TLM-E	SOIC36 W / MFP36SDJ (375 mil) (Pb-Free)	1000 / Tape & Reel

† For information on tape and reel specifications, including part orientation and tape sizes, please refer to our Tape and Reel Packaging Specifications Brochure, BRD8011/D. http://www.onsemi.com/pub_link/Collateral/BRD8011-D.PDF

ON Semiconductor and the ON Semiconductor logo are trademarks of Semiconductor Components Industries, LLC dba ON Semiconductor or its subsidiaries in the United States and/or other countries. ON Semiconductor owns the rights to a number of patents, trademarks, copyrights, trade secrets, and other intellectual property. A listing of ON Semiconductor's product/patent coverage may be accessed at www.onsemi.com/site/pdf/Patent-Marking.pdf. ON Semiconductor reserves the right to make changes without further notice to any products herein. ON Semiconductor makes no warranty, representation or guarantee regarding the suitability of its products for any particular purpose, nor does ON Semiconductor assume any liability arising out of the application or use of any product or circuit, and specifically disclaims any and all liability, including without limitation special, consequential or incidental damages. Buyer is responsible for its products and applications using ON Semiconductor products, including compliance with all laws, regulations and safety requirements or standards, regardless of any support or applications information provided by ON Semiconductor. "Typical" parameters which may be provided in ON Semiconductor data sheets and/or specifications can and do vary in different applications and actual performance may vary over time. All operating parameters, including "Typicals" must be validated for each customer application by customer's technical experts. ON Semiconductor does not convey any license under its patent rights nor the rights of others. ON Semiconductor products are not designed, intended, or authorized for use as a critical component in life support systems or any FDA Class 3 medical devices or medical devices with a same or similar classification in a foreign jurisdiction or any devices intended for implantation in the human body. Should Buyer purchase or use ON Semiconductor products for any such unintended or unauthorized application, Buyer shall indemnify and hold ON Semiconductor and its officers, employees, subsidiaries, affiliates, and distributors harmless against all claims, costs, damages, and expenses, and reasonable attorney fees arising out of, directly or indirectly, any claim of personal injury or death associated with such unintended or unauthorized use, even if such claim alleges that ON Semiconductor was negligent regarding the design or manufacture of the part. ON Semiconductor is an Equal Opportunity/Affirmative Action Employer. This literature is subject to all applicable copyright laws and is not for resale in any manner.

Looking for pricing, stock, or lifecycle information?

Click below to explore more details on WIN SOURCE:

-  [View LC75844MHS-MPB-E on WIN SOURCE](#)
-  [ON Semiconductor](#) Information

Optimize Your Supply Chain with WIN SOURCE Solutions

-  Global Sourcing Solution
-  Obsolete Management
-  Cost Control Management
-  Shortage Management
-  Alternative Solution
-  Excess Inventory Management