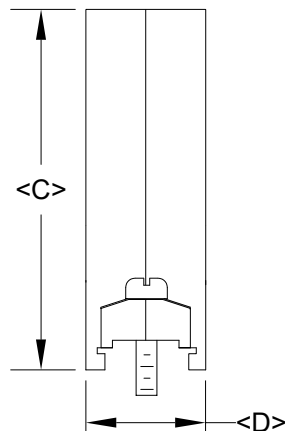
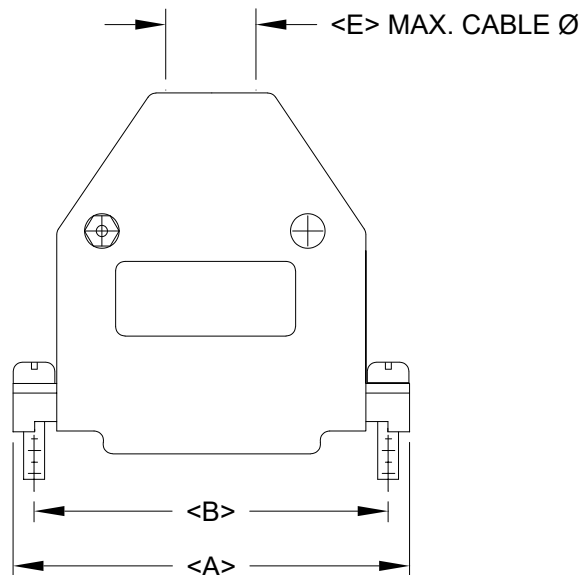


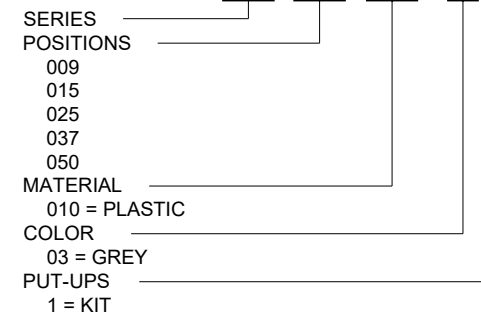
MATERIAL: ABS PLASTIC, UL 94HB
 RECOMMENDED OPERATING TEMPERATURE: -20°C TO +80°C



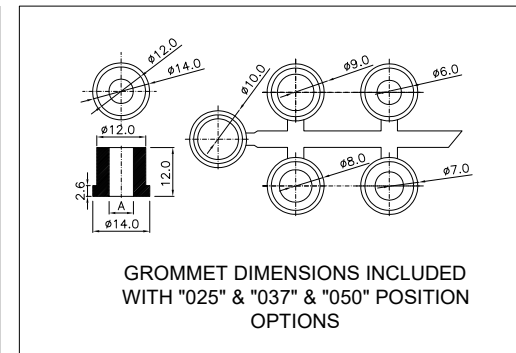
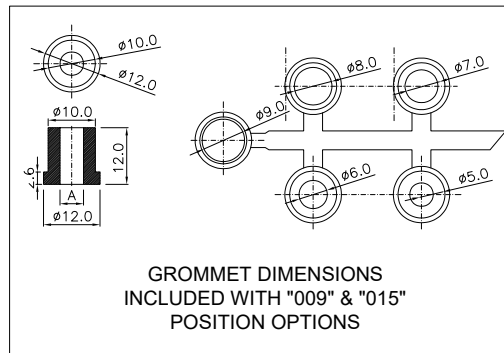
BACK SHELL KIT INCLUDES:

- 2 - BACK SHELL HALVES
- 2 - MATING SCREWS (#4-40, RECOMMENDED TORQUE 60 in-oz)
- 2 - SADDLE WASHERS
- 2 - HOUSING SCREWS (#4-40, RECOMMENDED TORQUE 5.2 in-lbs)
- 2 - HOUSING NUTS (#4-40, RECOMMENDED TORQUE 5.2 in-lbs)
- 1 - GROMMET TREE - VARIOUS SIZES (NON-CONDUCTIVE GROMMETS)

979-YYY-010R031



DIMENSIONS (mm)					
SIZE	A ^{±0.015}	B ^{±0.010}	C ^{±0.015}	D ^{±0.015}	E
009	31.28	24.99	48.60	16.66	9.00
015	39.50	33.32	48.13	17.00	9.50
025	53.34	47.04	44.80	16.64	10.00
037	69.80	63.50	48.26	16.64	13.00
050	68.50	61.11	48.26	19.56	13.00



RoHS COMPLIANT

UNITS = mm

DO NOT SCALE FROM DRAWING



THESE DRAWINGS AND SPECIFICATIONS ARE THE PROPERTY OF NorComp AND SHALL NOT BE REPRODUCED, COPIED OR USED AS THE BASIS FOR THE MANUFACTURE OR SALE OF APPARATUS WITHOUT WRITTEN PERMISSION.

DRAWN:
P. JENKINS

DATE:
07/28/2005

NorComp

SCALE:
NTS

SHEET 1 OF 1

REV 8

DWG NO.

979-YYY-010R031

Looking for pricing, stock, or lifecycle information?

Click below to explore more details on WIN SOURCE:

 [View 979-015-010R031 on WIN SOURCE](#)

 [NorComp Inc. Information](#)

Optimize Your Supply Chain with WIN SOURCE Solutions

-  Global Sourcing Solution
-  Obsolete Management
-  Cost Control Management
-  Shortage Management
-  Alternative Solution
-  Excess Inventory Management