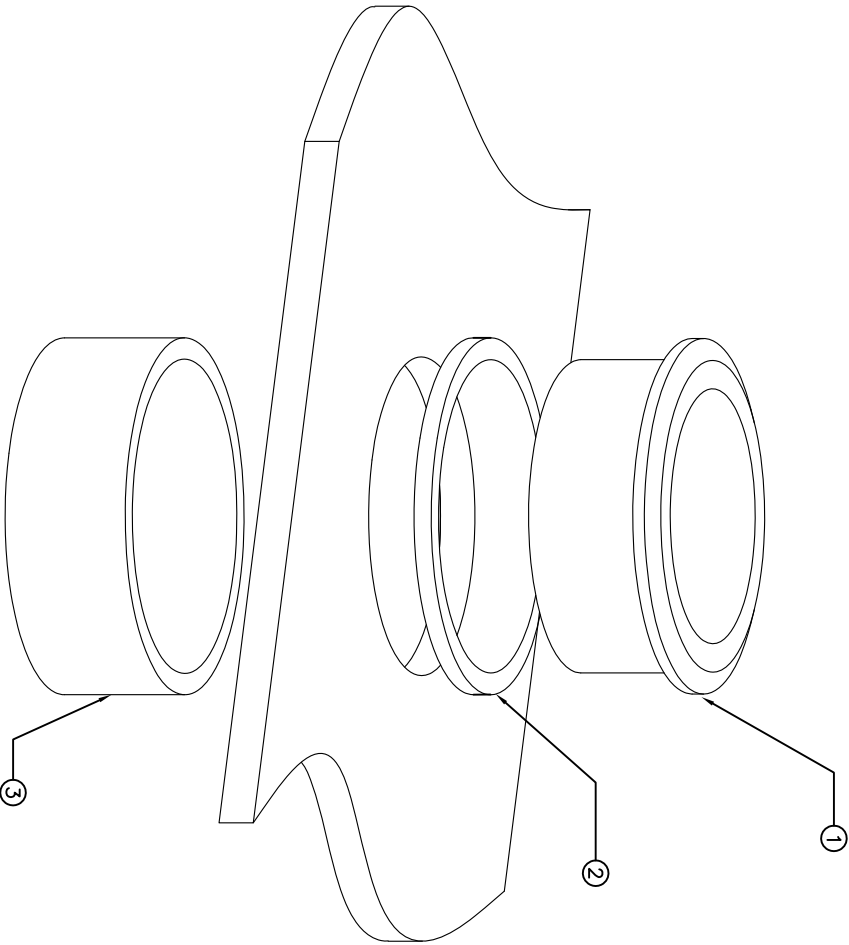




THE DATASHEET OF HP02



THIS DOCUMENT IS THE PROPERTY OF APEM COMPONENTS AND SHALL NOT BE COPIED, REPRODUCED, DISCLOSED OR USED AS THE BASIS FOR MANUFACTURING OR SALE WITHOUT PERMISSION OF A DULY AUTHORIZED REPRESENTATIVE OF APEM COMPONENTS INC.



HP**
 COLOR:
 00= CLEAR ANODIZED
 02= BLACK ANODIZED
 03= GREEN ANODIZED
 06= RED ANODIZED

DATE	SYM	REVISION RECORD	DWN.	CK.
3/09	B	ECO# 833	CD	PD

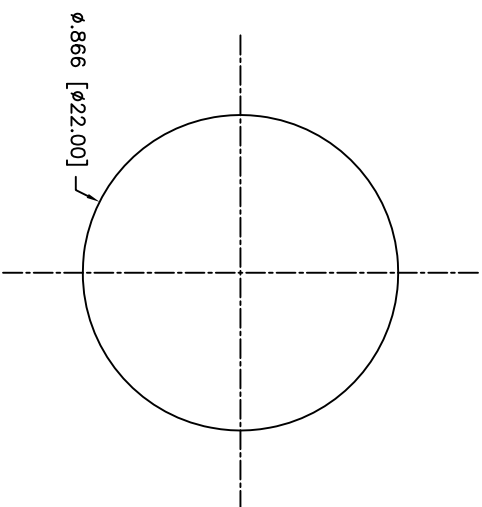
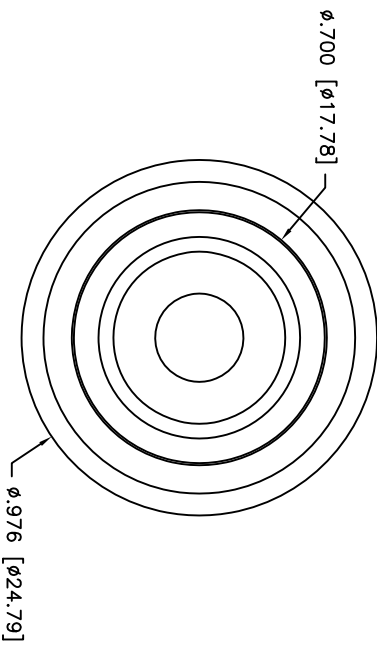
NUMBER	QTY.	DESCRIPTION	PART NUMBER
1	1	RECESSED SWITCH BEZEL	E0139P1
2	1	SEALING GASKET	26-0036
3	1	RECESSED SWITCH COLLAR	E0139P2

Q.A. INSPECT: Δ		APEM <small>APERM COMPONENTS</small> 63 Neck Rd. 01835 North Attle, MA Phone: 781-372-3534		PRN: CJD BR: PJD
DESIGNATES CRITICAL DIMENSION		INCH SHEET SIZE B (MM) 1 OF 2	SCALE 3:1 THIRD ANGLE PROJECTION	
TOLERANCES (UNLESS OTHERWISE SPECIFIED) .XX=-.02[0.5] .XXX=-.008[0.20] .XXXX=-.0008[0.02]		TITLE RECESSED PUSHBUTTON BEZEL		
ANGLE = 30.5°		DATE 2/17/09	DRAWING NO. HP**	REV B

1 2 3 4 5 6 7 8

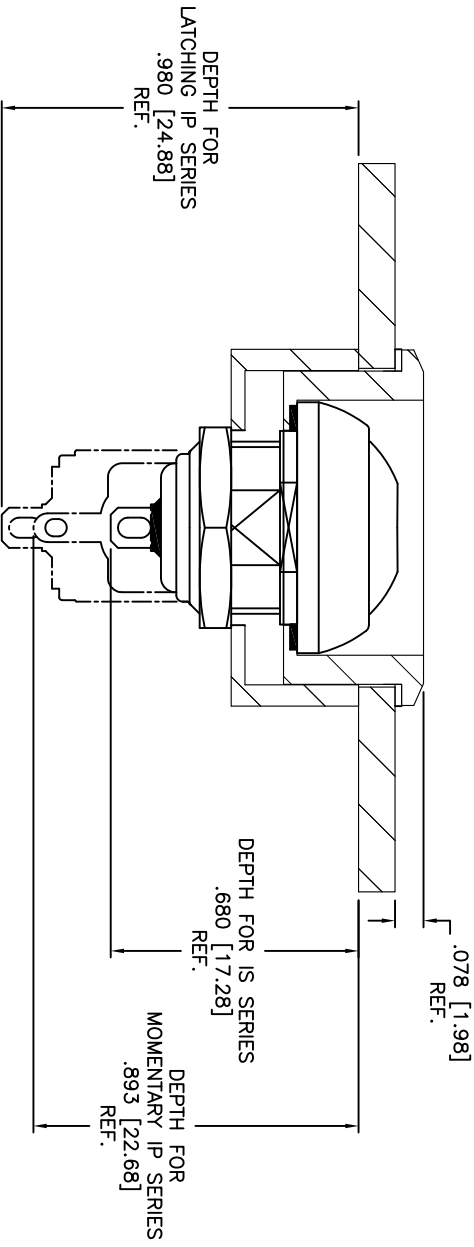
A B C D E

THIS DOCUMENT IS THE PROPERTY OF APEM COMPONENTS AND SHALL NOT BE COPIED, REPRODUCED, DISCLOSED OR USED AS THE BASIS FOR MANUFACTURING OR SALE WITHOUT PERMISSION OF A DULY AUTHORIZED REPRESENTATIVE OF APEM COMPONENTS INC.



RECOMMENDED PANEL CUT-OUT

NOTE:
MATERIAL: MACHINED ALUMINIUM




DATE	SYM	REVISION RECORD	DWN.	CK.

Q.A. INSPECT: Δ DESIGNATES CRITICAL DIMENSION				63 Neck Rd. 01835 Hopkinton, MA Phone: 508-372-3554		DRN. CJD BR. PJD	
TOLERANCES (UNLESS OTHERWISE SPECIFIED) .XX = ±.02 [0.5] .XXX = ±.008 [0.20] .XXXX = ±.0008 [0.02] ANGLE = 30.5°		SHEET 2 OF 2		SIZE B		SCALE 3:1	
TITLE RECESSED PUSHBUTTON BEZEL		THIRD ANGLE PROJECTION				REV B	
DO NOT SCALE DIMENSIONS		DATE 2/17/09		DRAWING NO. HP**			

Looking for pricing, stock, or lifecycle information?

Click below to explore more details on WIN SOURCE:

 [View HP02 on WIN SOURCE](#)

 [Apem Inc. Information](#)

Optimize Your Supply Chain with WIN SOURCE Solutions

-  Global Sourcing Solution
-  Obsolete Management
-  Cost Control Management
-  Shortage Management
-  Alternative Solution
-  Excess Inventory Management