



**THE DATASHEET OF  
GRB260A401BBRN1**

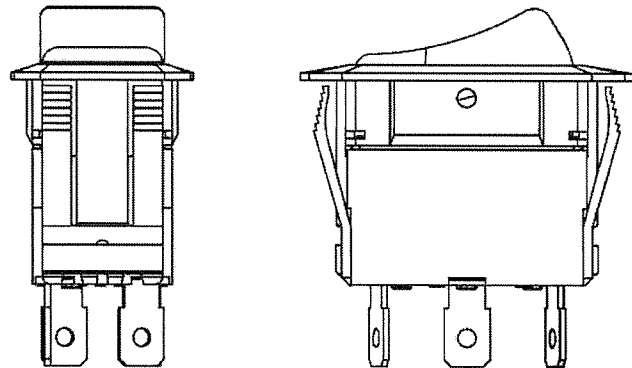
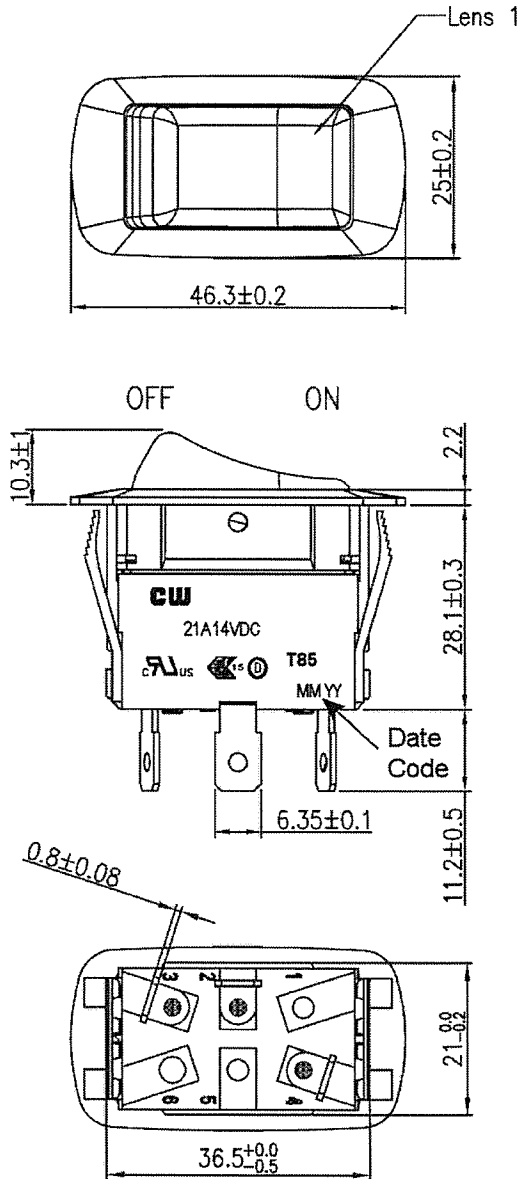


THIS INFORMATION IS CONFIDENTIAL AND PROPRIETARY TO CW INDUSTRIES INCORPORATED AND ITS AFFILIATES. IT MAY NOT BE DISCLOSED TO ANYONE, OTHER THAN CW INDUSTRIES PERSONNEL, WITHOUT WRITTEN AUTHORIZATION FROM CW INDUSTRIES INCORPORATED, SOUTHAMPTON, PENNSYLVANIA USA.

<b>Rating</b>	21A 14VDC	T85	<b>Mounting Hole</b>	<b>Circuit Diagram</b>	
Configured For	12VDC 14V				
Contact Resistance	50m ohm Max.				
Insulation Resistance	DC 500V 100M ohm Min.				
Dielectric Strength	AC 1500V 1 minute				
Operation Temperature	-20°~85°		Thickness(mm)	X(mm)	Y(mm)
Switch Function	3P SPST ON-OFF Lamp Dependent		0.75~1.25	21.2±0.1	36.6 <sup>+0.2</sup>
Lamp Type	Bulb 12VDC 14V		1.25~2.0		36.8 <sup>+0.2</sup>
			2.0~3.0		37.0 <sup>+0.2</sup>

**MATERIAL:**

- Frame: Nylon # 66, Black
- Actuator: Nylon # 66 with 33%GF, Black
- Lens 1: PC, Red
- Lens 2: None
- Water Proof and Dust Proof to fit IP-56



Order Chart									
Series		Actuator Type		Terminal Type		Lens 1 Color		Voltage	
GRB260	A	4	01	B	B	R	N	1	
Function		Frame Color		Actuator Color		Lens 2 Color		None	

R13-260A4-01-BBRN-91100

3 Updated ratings. 2/12/18.

<b>CW INDUSTRIES</b> Southampton, Pa. 18966 Tel 215.355.7080/www.cwind.com	Date Drawn: 5/27/10	Rev. 3	Unit: mm	Checked By: <i>G. GULD</i>
	Title: <b>ROCKER SWITCH</b>		CW P/N: <b>GRB260A401BBRN1</b>	

## Looking for pricing, stock, or lifecycle information?

Click below to explore more details on WIN SOURCE:

 [View GRB260A401BBRN1](#) on WIN SOURCE

 [CW Industries](#) Information

## Optimize Your Supply Chain with WIN SOURCE Solutions

-  Global Sourcing Solution
-  Obsolete Management
-  Cost Control Management
-  Shortage Management
-  Alternative Solution
-  Excess Inventory Management