

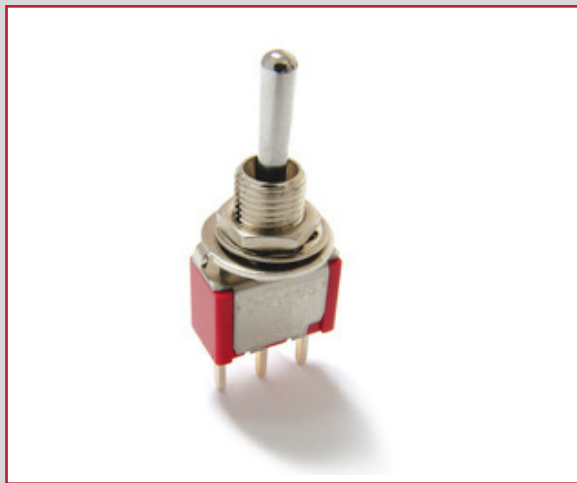


**THE DATASHEET OF
100SP4T8B13VS3QEH**

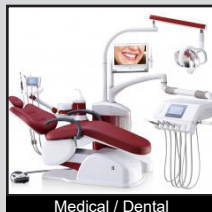
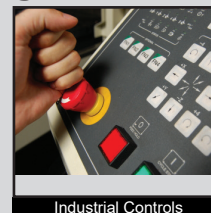
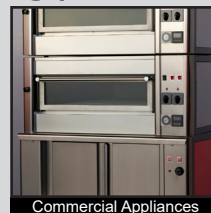


100 SERIES TOGGLE SWITCH

ANTI-VANDAL SWITCHES
DETECTOR SWITCHES
DIP SWITCHES
KEYLOCK SWITCHES
NAVIGATION SWITCHES
PUSHBUTTON SWITCHES
ROCKER SWITCHES
ROTARY SWITCHES
SLIDE SWITCHES
SNAP ACTION SWITCHES
TACTILE SWITCHES
TOGGLE SWITCHES
CAP OPTIONS



APPLICATIONS / MARKETS



RoHS

SPECIFICATIONS

Contact Rating: Silver - 5 Amps with resistive load @ 120VAC or 28VDC;
2 Amps with resistive load @ 250VAC
Gold - 0.4 Volt-Amps (VA) max. @ 20V max. (AC or DC)

Mechanical Life: 40,000 Make-and-Break Cycles
Electrical Life: 6,000 at Full Power
Contact Resistance: 10mΩ Max. Initial
Insulation Resistance: 1,000MΩ Min.
Dielectric Strength: 1,000V RMS at Sea Level
Operating Temperature: -40°C to 85°C
Torque: Max. 5kg·cm (70 ounce-inch)

FEATURES & BENEFITS

- Up to 4 poles available
- Variety of switching functions
- Miniature
- Multiple actuator & bushing options

PART NUMBER CONFIGURATOR

Series	Function	Actuator	Bushing	Termination	Contact Material	Seal	Hardware
<input type="text" value="100"/>	<input type="text" value="SP1"/>	<input type="text" value="T1"/>	<input type="text" value="B1"/>	<input type="text" value="M1"/>	<input type="text" value="Q"/>	<input type="text" value="E"/>	<input type="text" value="H"/>
100	<p>SP1 - SPDT - On - None - On</p> <p>SP2 - SPDT - On - None - (On) *</p> <p>SP3 - SPDT - On - Off - On</p> <p>SP4 - SPDT - (On) - Off - (On) *</p> <p>SP5 - SPDT - On - Off - (On) *</p> <p>DP1 - DPDT - On - None - On</p> <p>DP2 - DPDT - On - None - (On) *</p> <p>DP3 - DPDT - On - Off - On</p> <p>DP4 - DPDT - (On) - Off - (On) *</p> <p>DP5 - DPDT - On - Off - (On) *</p> <p>DP6 - DPDT - On - On - On</p> <p>DP7 - DPDT - On - On - (On) *</p> <p>DP8 - DPDT - (On) - On - (On) *</p> <p>3P1 - 3PDT - On - None - On</p> <p>3P2 - 3PDT - On - None - (On) *</p> <p>3P3 - 3PDT - On - Off - On</p> <p>3P4 - 3PDT - (On) - Off - (On) *</p> <p>3P5 - 3PDT - On - Off - (On) *</p> <p>4P1 - 4PDT - On - None - On</p> <p>4P2 - 4PDT - On - None - (On) *</p> <p>4P3 - 4PDT - On - Off - On</p> <p>4P4 - 4PDT - (On) - Off - (On) *</p> <p>4P5 - 4PDT - On - Off - (On) *</p> <p>4P6 - 4PDT - On - On - On</p> <p>4P7 - 4PDT - On - On - (On) *</p> <p>4P8 - 4PDT - (On) - On - (On) *</p>	<p>T1 - Standard Height = 0.410 ***</p> <p>T2 - Height = 0.200</p> <p>T3 - Height = 0.550</p> <p>T4 - Height = 0.640</p> <p>T5 - Height = 0.840</p> <p>T6 ¹ - Height = 0.484 Flatted With Built-In An- tirotaion. Use with B11, B12, B15, B16 Only.</p> <p>T7 ² - Use With B13 Bushing Only</p> <p>T8 ² - Use With B13 Bushing Only</p> <p>T9 ⁷ - Plastic Black Height = 0.840 B1, B3, & B9 Bushing Standard</p> <p>K1 ⁵</p> <p>K2 ⁵</p>	<p>B1 - THD-STD</p> <p>B2 ³ - NON-THD</p> <p>B3 - THD-STD</p> <p>B4 ⁸ - NON-THD Standard For M6, M7 & VS Termination</p> <p>B5 - HIGH TORQUE</p> <p>B6 - HIGH TORQUE</p> <p>B8 - METRIC-THD</p> <p>B9 - SPLASH PROOF</p> <p>B11 ⁴ - THD-STD For T6 Only</p> <p>B12 ^{3,4} - NON-THD For T6 Only</p> <p>B13 ⁵ - For T7 & T8 Only</p> <p>B15 ⁴ - THD-STD For T6 Only</p> <p>B16 ^{3,4} - NON-THD For T6 Only</p> <p>B25 - For K1 & K2 Only **</p> <p>B26 - For K1 & K2 Only **</p>	<p>M1 - Solder Lug</p> <p>M2 - PCB Mount</p> <p>M3 - Quick Connect</p> <p>M5 - Wire Wrap</p> <p>M6 - Horizontal Rt. Angle PCB Mount</p> <p>M61 - Horizontal Rt. Angle PCB Mount w/Retention Bracket</p> <p>M7 - Vertical Rt. Angle PCB Mount</p> <p>M71 - Vertical Rt. Angle w/Retention Bracket</p> <p>VS2 ⁹ - Vertical Bracket PCB Mount Dim A = 0.460</p> <p>VS3 ⁹ - Vertical Bracket PCB Mount Dim A = 0.630</p> <p>VS5 - Vertical Bracket PCB Mount Dim A = 0.630 *</p> <p>VS64 - Horizontal Rt. Angle *</p> <p>VS21 - Vertical w/Retention Bracket Dim A = 0.460 *</p> <p>VS31 - Vertical w/Retention Bracket Dim A = 0.630 *</p>	<p>Q - Silver</p> <p>R - Gold</p>	<p>E - Epoxy Sealed</p>	<p>(None) H - Hardware to be used with threaded bushing options only</p>

NOTES:

- () = Denotes function is momentary
* = Not available with K1 or K2 Actuator
** = Only available with K1 or K2 Actuator
*** = Optional Toggle Cap (T1 only) T100-1 = White
T100-2 = Black
- ¹ = Only available with B11, B12, B15, B16 Bushing
² = Only available with B13 Bushing
³ = NON-THD has no hardware available
- ⁴ = Only available with T6 Actuator
⁵ = Only available with T7 and T8 Actuators
⁶ = Only available with B25 and B26 Bushings
⁷ = Add 1.78 [.070 in] for B3 and B4 Bushings
Subtract 0.51 [.020 in] for B6 Bushing
⁸ = B4 is standard for M6, M7, and VS Terminations
⁹ = VS2 and VS3 frame requires M2 Termination

Specifications subject to change without notice 11.4.2025



E-SWITCH®

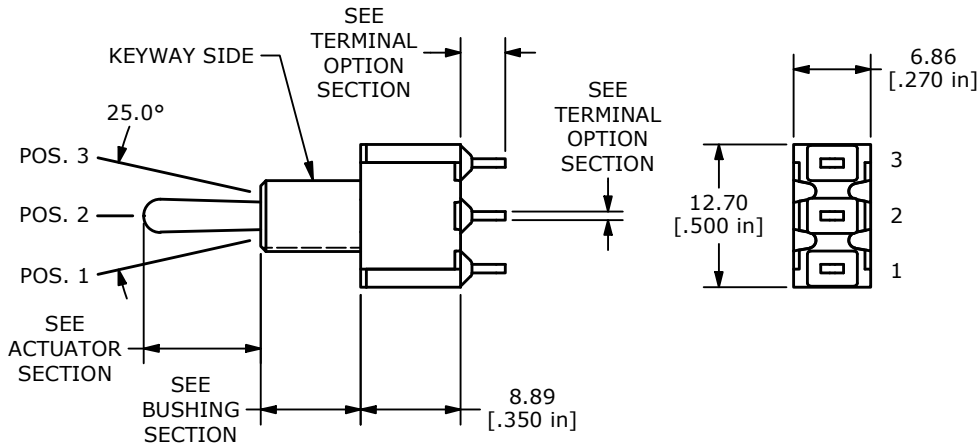
www.e-switch.com

800.867.2717

1

100 SERIES TOGGLE SWITCH

FUNCTION OPTIONS

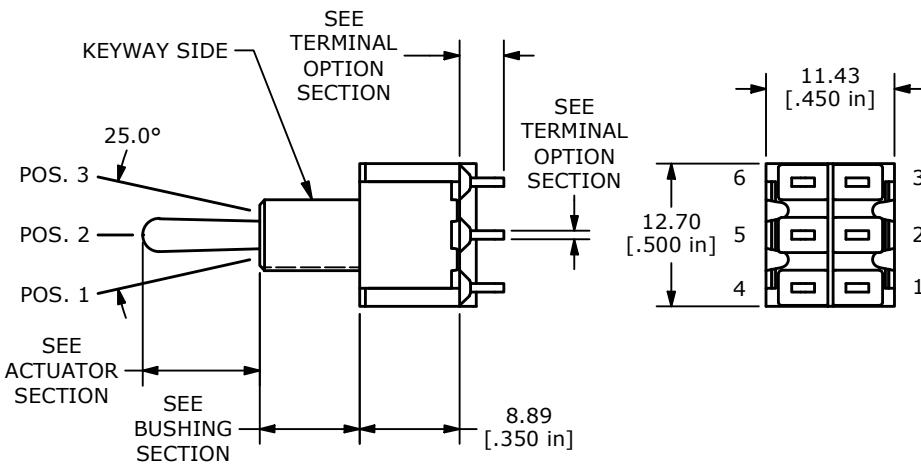
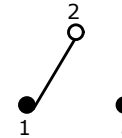


SINGLE POLE

MODEL NO.	POS. 1	POS. 2	POS. 3
SP1	ON	NONE	ON
SP2*	ON	NONE	(ON)
SP3	ON	OFF	ON
SP4*	(ON)	OFF	(ON)
SP5*	ON	OFF	(ON)
TERMINAL CLOSURE	2-3	OPEN	2-1

() = MOMENTARY

* = NOT AVAILABLE W/ K1 & K2 ACTUATOR

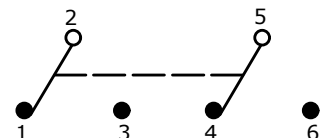


DOUBLE POLE

MODEL NO.	POS. 1	POS. 2	POS. 3
DP1	ON	NONE	ON
DP2*	ON	NONE	(ON)
DP3	ON	OFF	ON
DP4*	(ON)	OFF	(ON)
DP5*	ON	OFF	(ON)
DP6	ON	ON	ON
DP7*	ON	ON	(ON)
DP8*	(ON)	ON	(ON)
TERMINAL CLOSURE	2-3, 5-6	2-3, 5-4	2-1, 5-4

() = MOMENTARY

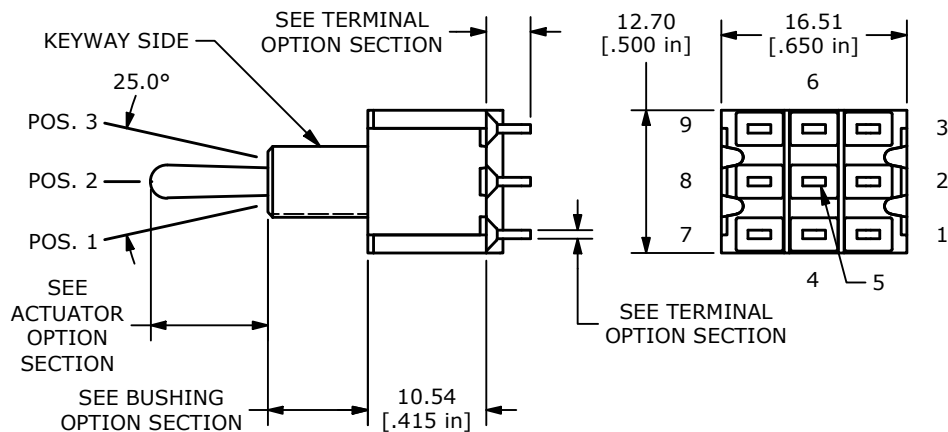
* = NOT AVAILABLE W/ K1 & K2 ACTUATOR



ANTI-VANDAL SWITCHES
DETECTOR SWITCHES
DIP SWITCHES
KEYLOCK SWITCHES
NAVIGATION SWITCHES
PUSHBUTTON SWITCHES
ROCKER SWITCHES
ROTARY SWITCHES
SLIDE SWITCHES
SNAP ACTION SWITCHES
TACTILE SWITCHES
TOGGLE SWITCHES
CAP OPTIONS

100 SERIES TOGGLE SWITCH

FUNCTION OPTIONS (CONTINUED)

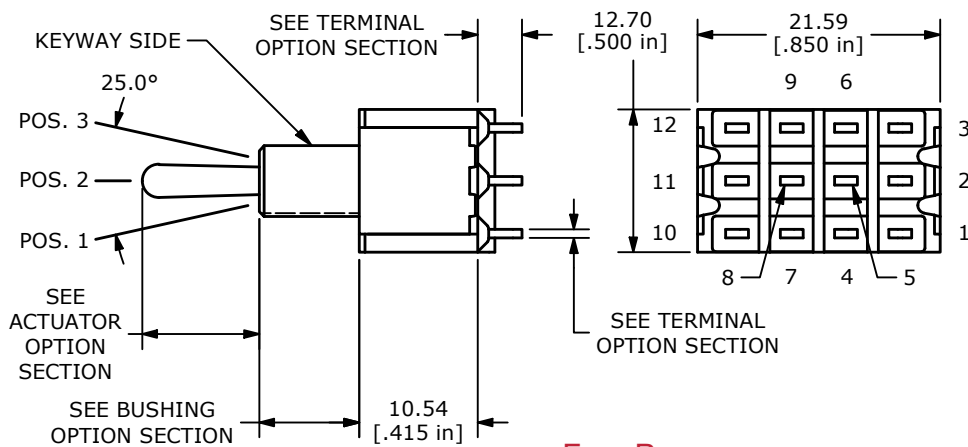
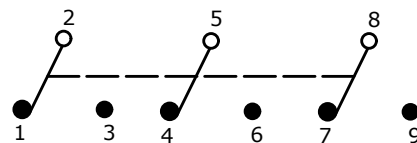


THREE POLE

MODEL NO.	POS. 1	POS. 2	POS. 3
3P1	ON	NONE	ON
3P2*	ON	NONE	(ON)
3P3	ON	OFF	ON
3P4*	(ON)	OFF	(ON)
3P5	ON	OFF	(ON)
TERMINAL CLOSURE	2-3, 5-6, 8-9	OPEN	2-1, 5-4, 8-7

() = MOMENTARY

* = NOT AVAILABLE W/ K1 & K2 ACTUATOR

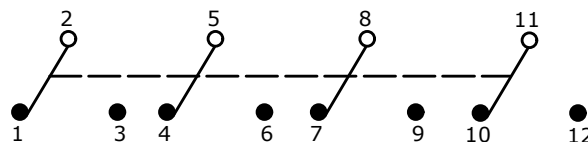


FOUR POLE

MODEL NO.	POS. 1	POS. 2	POS. 3
4P1	ON	NONE	ON
4P2*	ON	NONE	(ON)
4P3	ON	OFF	ON
4P4*	(ON)	OFF	(ON)
4P5*	ON	OFF	(ON)
4P6	ON	ON	ON
4P7*	ON	ON	(ON)
4P8*	(ON)	ON	(ON)
TERMINAL CLOSURE	2-3, 5-6, 8-9, 11-12	2-3, 5-4, 8-9, 11-10	2-1, 5-4, 8-7, 11-10

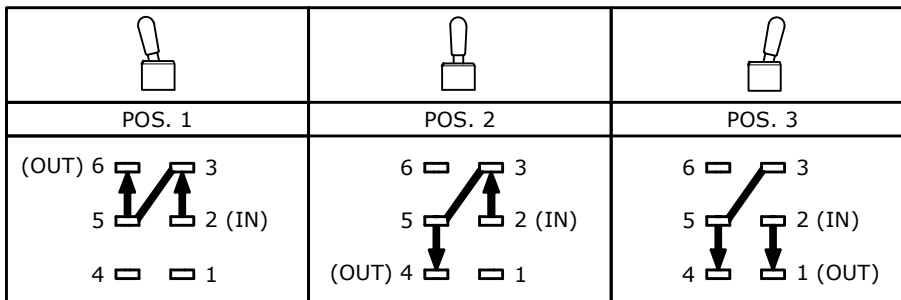
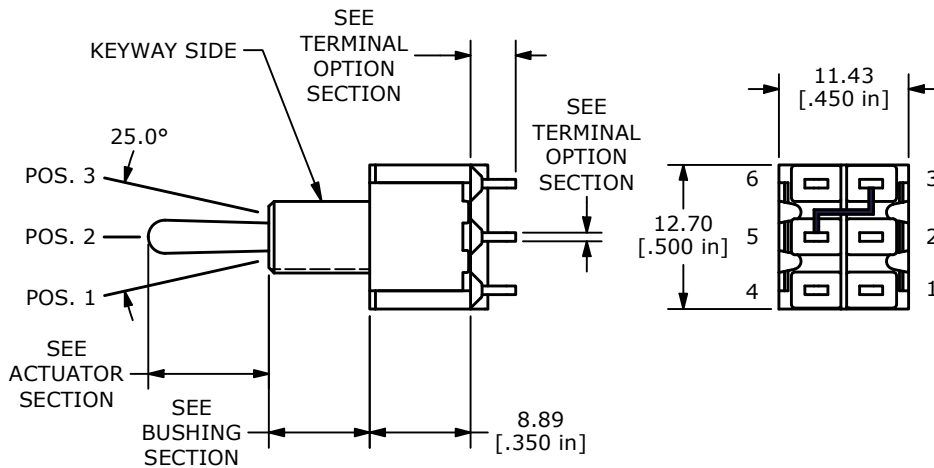
() = MOMENTARY

* = NOT AVAILABLE W/ K1 & K2 ACTUATOR

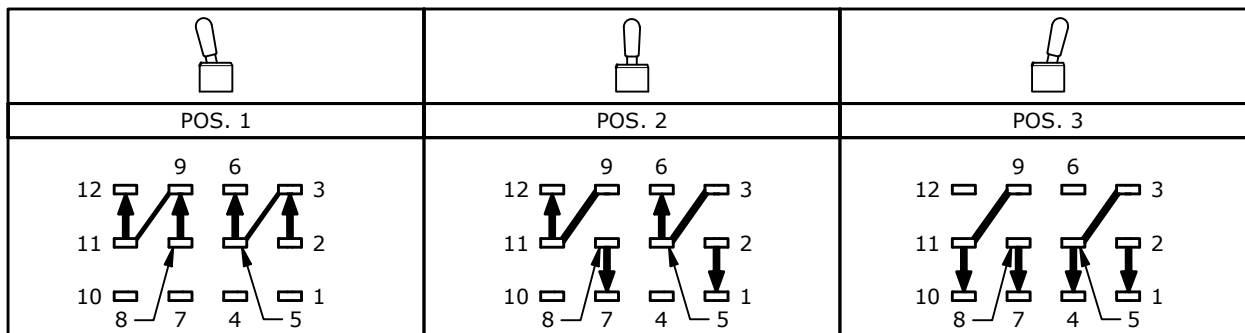
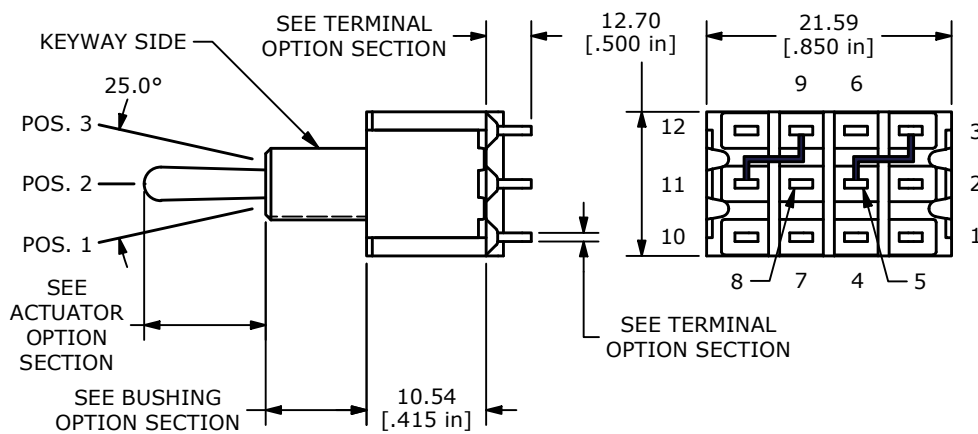


100 SERIES TOGGLE SWITCH

3 - WAY WIRING DIAGRAM SCHEMATICS



BOTTOM VIEW FOR DP6, DP7, DP8



BOTTOM VIEW FOR 4P6, 4P7, 4P8

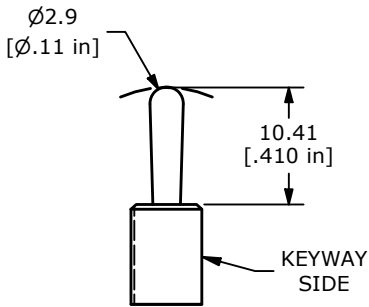


ANTI-VANDAL SWITCHES
DETECTOR SWITCHES
DIP SWITCHES
KEYLOCK SWITCHES
NAVIGATION SWITCHES
PUSHBUTTON SWITCHES
ROCKER SWITCHES
ROTARY SWITCHES
SLIDE SWITCHES
SNAP ACTION SWITCHES
TACTILE SWITCHES
TOGGLE SWITCHES
CAP OPTIONS

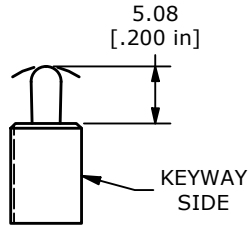
100 SERIES TOGGLE SWITCH

ACTUATOR OPTIONS

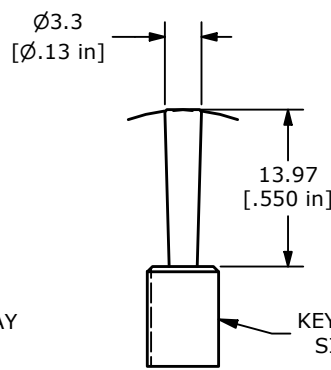
ANTI-VANDAL SWITCHES
DETECTOR SWITCHES
DIP SWITCHES
KEYLOCK SWITCHES
NAVIGATION SWITCHES
PUSHBUTTON SWITCHES
ROCKER SWITCHES
ROTARY SWITCHES
SLIDE SWITCHES
SNAP ACTION SWITCHES
TACTILE SWITCHES
TOGGLE SWITCHES
CAP OPTIONS



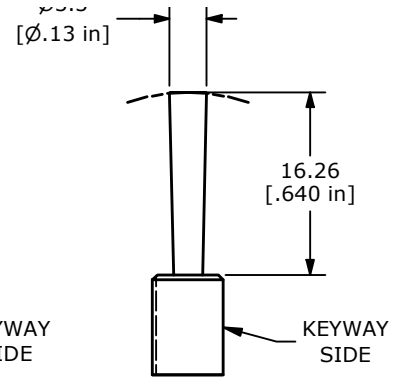
T1*



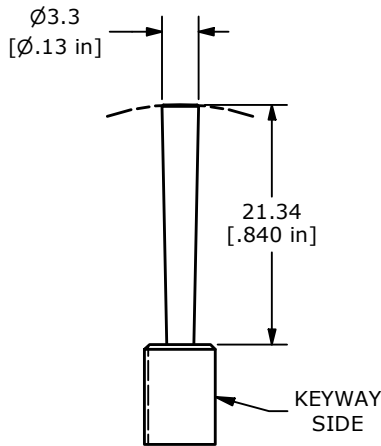
T2*



T3*

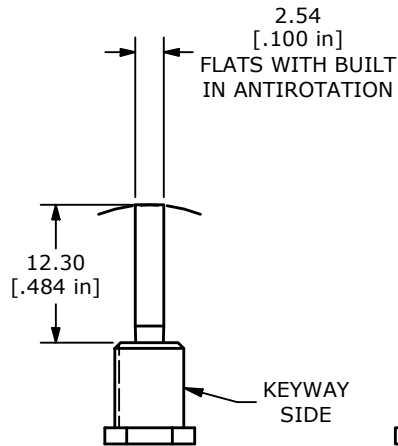


T4*



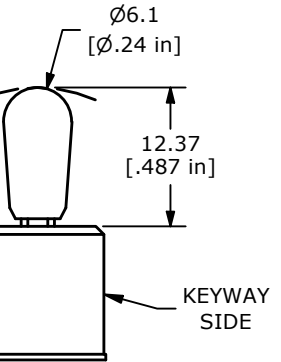
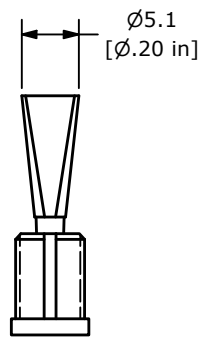
T5*

B3, B4 BUSHING
STANDARD



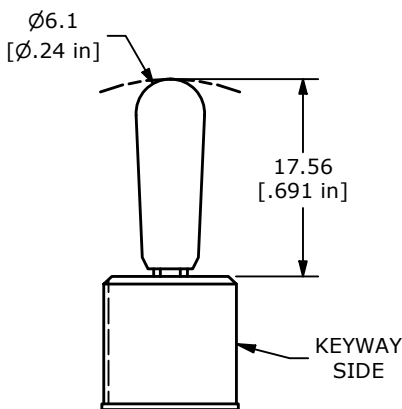
T6

USE WITH B11, B12,
B15, B16 ONLY



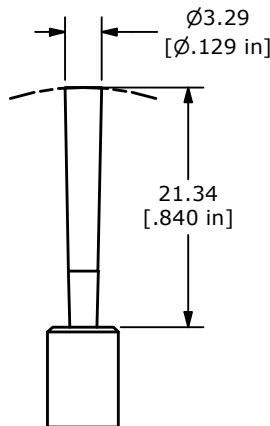
T7

USE WITH B13



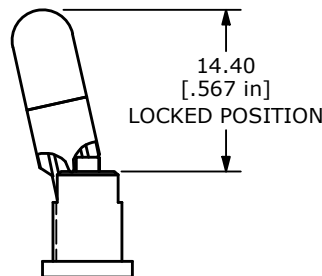
T8

USE WITH B13



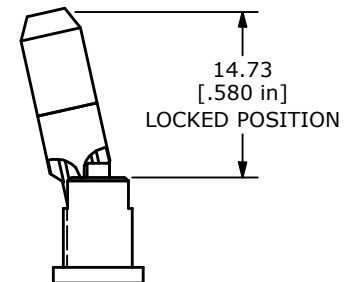
T9*

B1, B2
STANDARD



K1

B25, B26 ONLY



K2

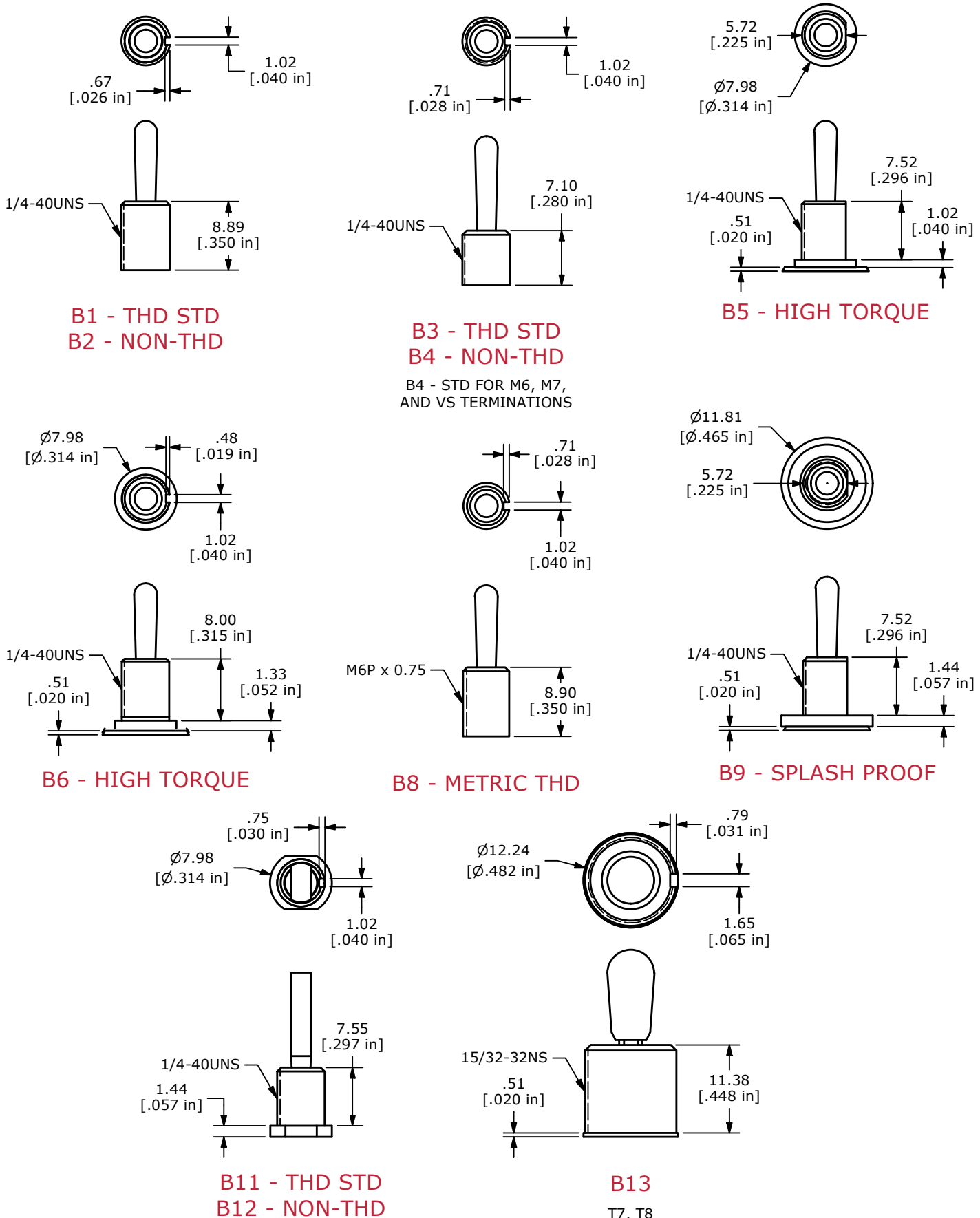
B25, B26 ONLY

* ADD 1.78 [$.070$] FOR B3, B4
SUBTRACT 0.51 [$.020$] FOR B6



100 SERIES TOGGLE SWITCH

BUSHING OPTIONS



E-SWITCH®

T6

T7, T8
ACTUATORS ONLY

www.e-switch.com

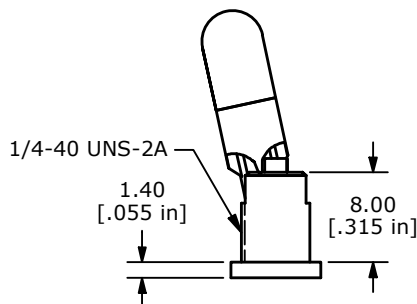
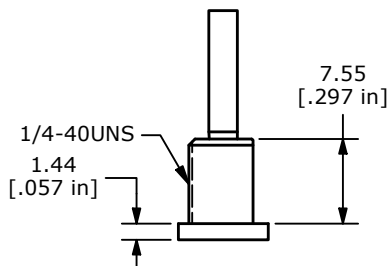
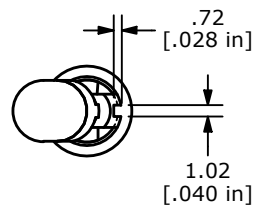
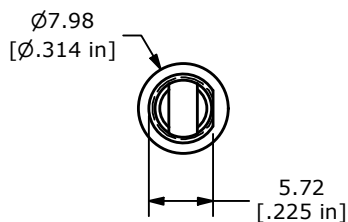
800.867.2717

6

ANTI-VANDAL SWITCHES
DETECTOR SWITCHES
DIP SWITCHES
KEYLOCK SWITCHES
NAVIGATION SWITCHES
PUSHBUTTON SWITCHES
ROCKER SWITCHES
ROTARY SWITCHES
SLIDE SWITCHES
SNAP ACTION SWITCHES
TACTILE SWITCHES
TOGGLE SWITCHES
CAP OPTIONS

100 SERIES TOGGLE SWITCH

BUSHING OPTIONS (CONTINUED)



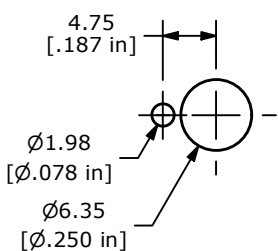
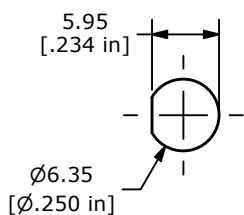
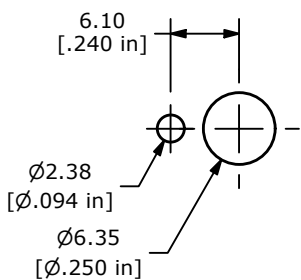
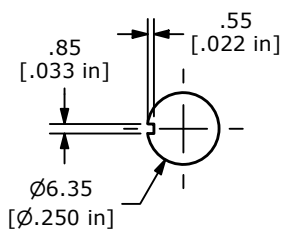
B15 - THD STD
B16 - NON-THD

T6
ACTUATOR ONLY

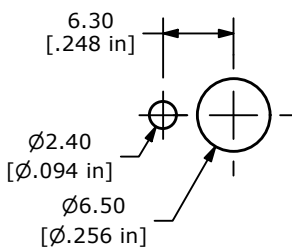
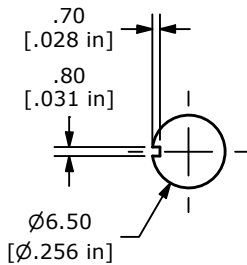
B25 - THD STD
B26 - NON-THD

K1 & K2
ACTUATOR ONLY

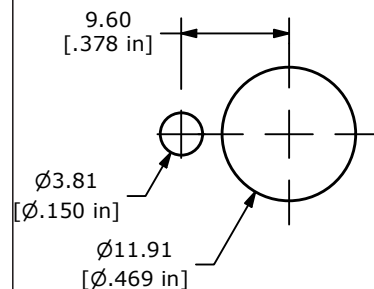
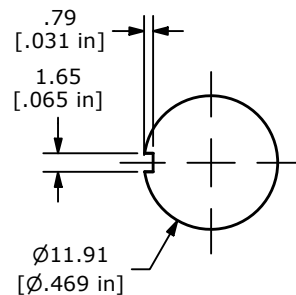
BUSHING OPTIONS PANEL MOUNTING



1/4 IN. BUSHING



METRIC BUSHING



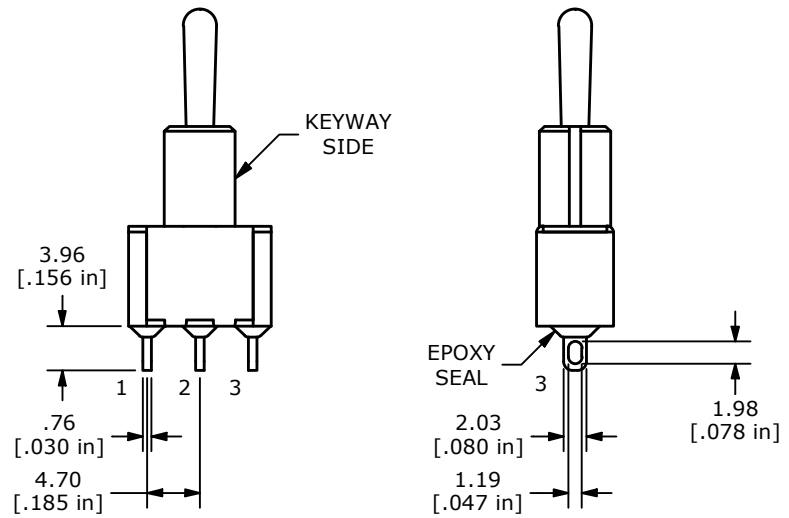
15/32 IN. BUSHING



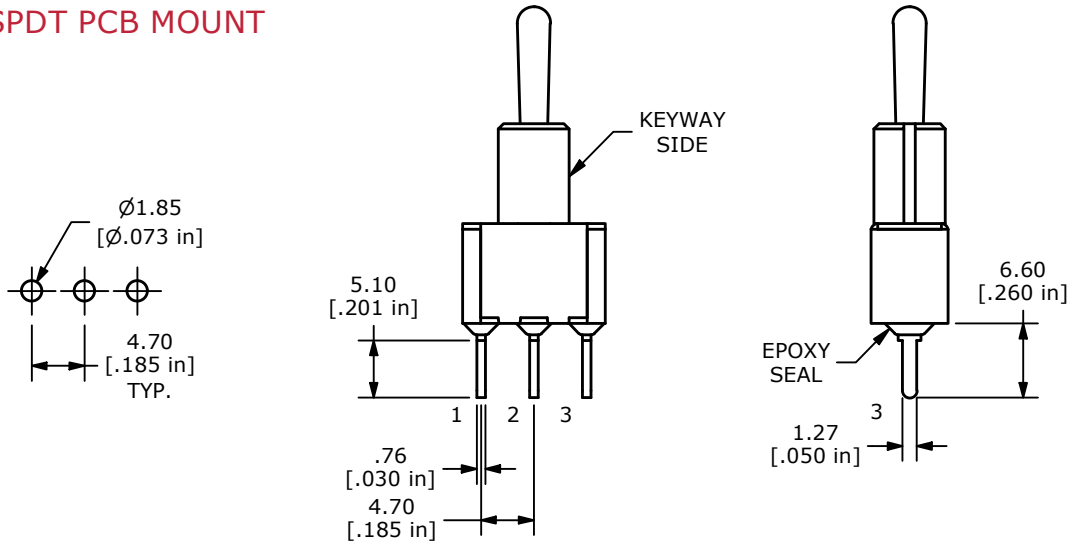
100 SERIES TOGGLE SWITCH

TERMINATION OPTIONS

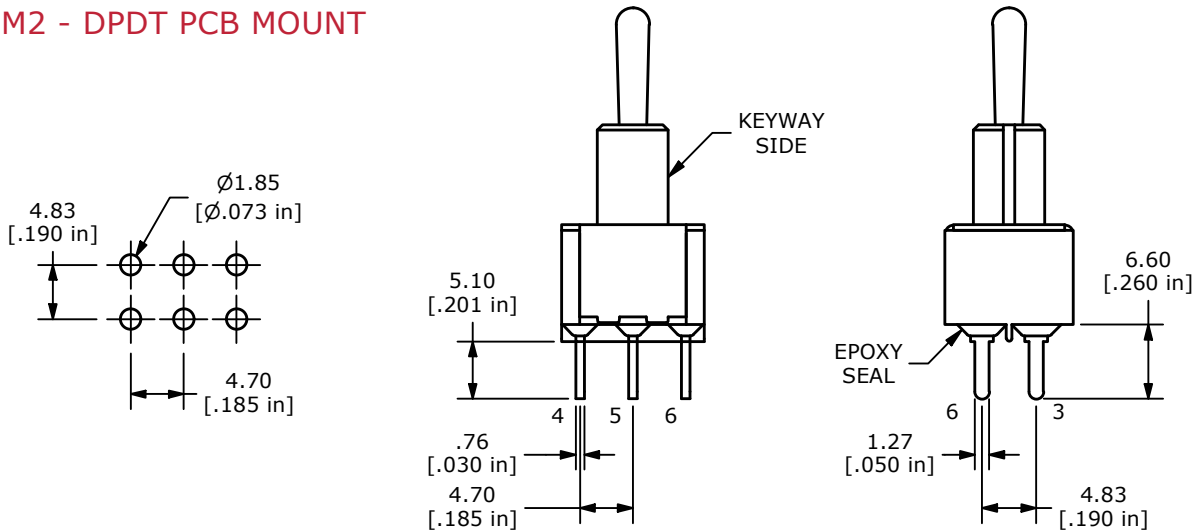
M1 - SOLDER LUG



M2 - SPDT PCB MOUNT



M2 - DPDT PCB MOUNT

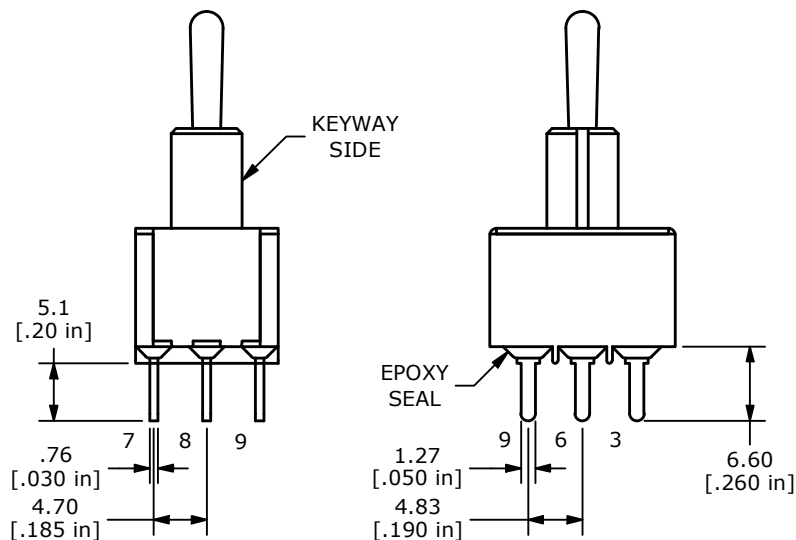
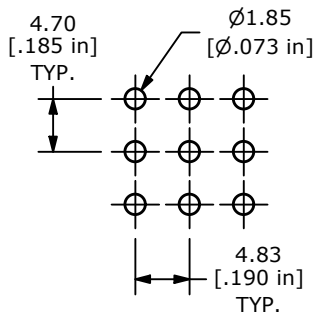


ANTI-VANDAL SWITCHES
 DETECTOR SWITCHES
 DIP SWITCHES
 KEYLOCK SWITCHES
 NAVIGATION SWITCHES
 PUSHBUTTON SWITCHES
 ROCKER SWITCHES
 ROTARY SWITCHES
 SLIDE SWITCHES
 SNAP ACTION SWITCHES
 TACTILE SWITCHES
 TOGGLE SWITCHES
 CAP OPTIONS

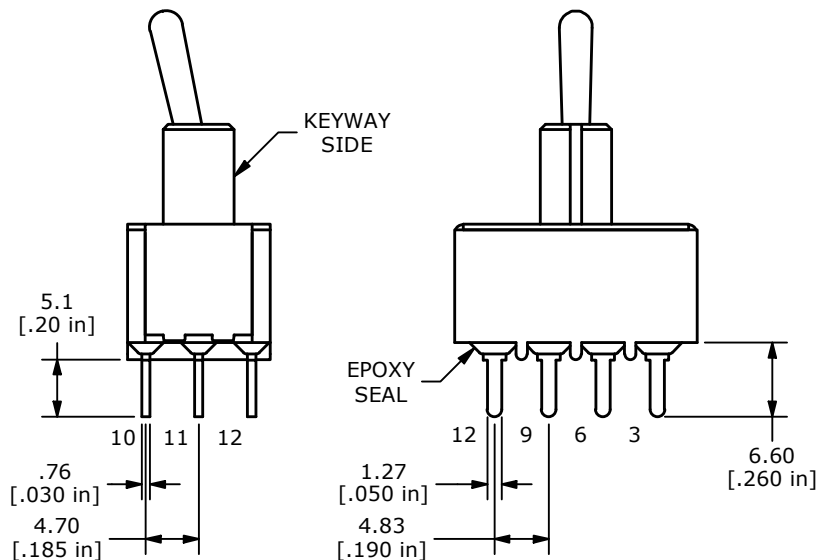
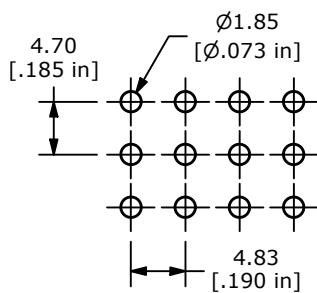
100 SERIES TOGGLE SWITCH

TERMINATION OPTIONS

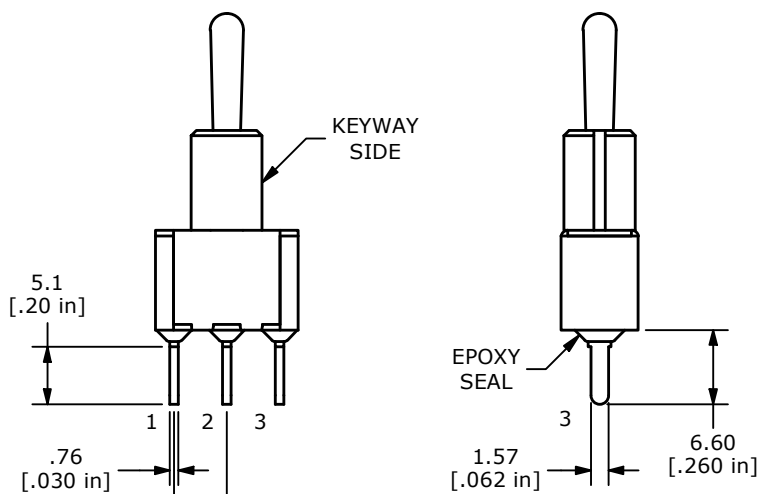
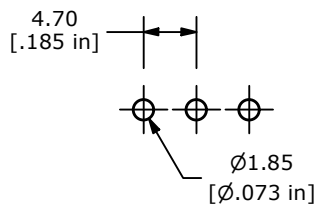
M2 - 3PDT PCB MOUNT



M2 - 4PDT PCB MOUNT



M3 - QUICK CONNECT

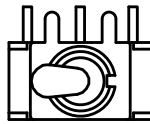
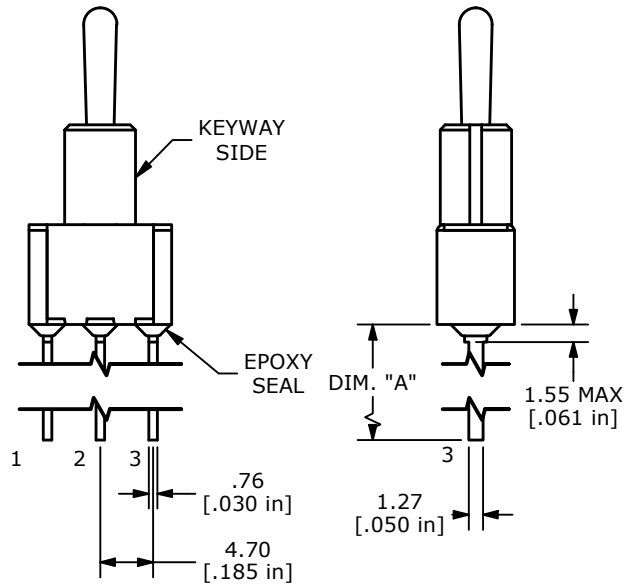


100 SERIES TOGGLE SWITCH

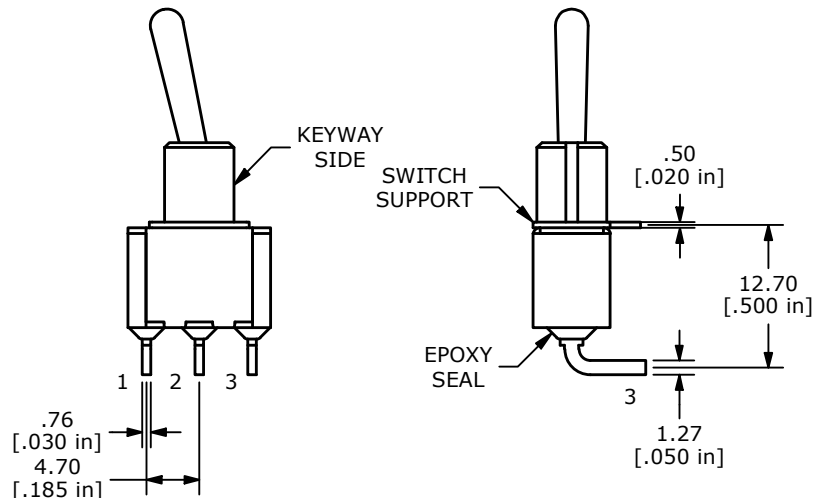
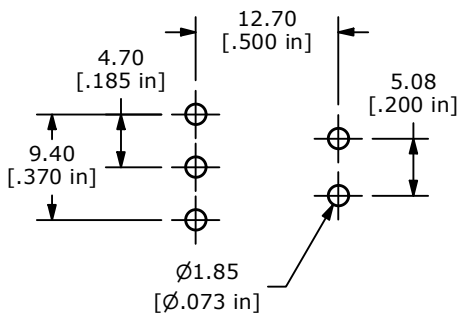
TERMINATION OPTIONS

M5 - WIRE WRAP

OPTION CODE	DIM "A"
M51	18.70 [0.736 in]
M52	24.20 [0.953 in]
M53	10.55 [0.415 in]
M54	26.97 [1.062 in]



M6 - SP HORIZONTAL RIGHT ANGLE PCB MOUNT

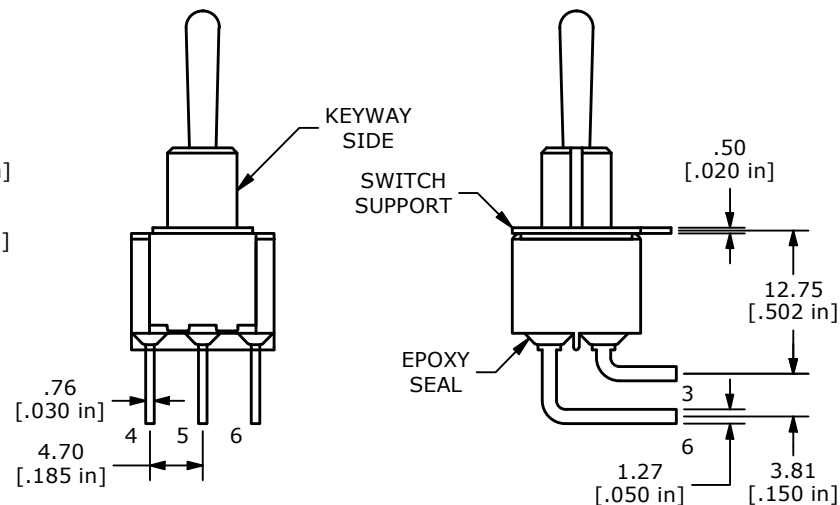
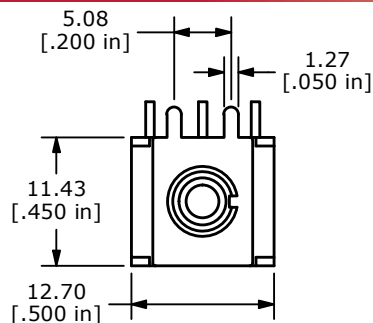
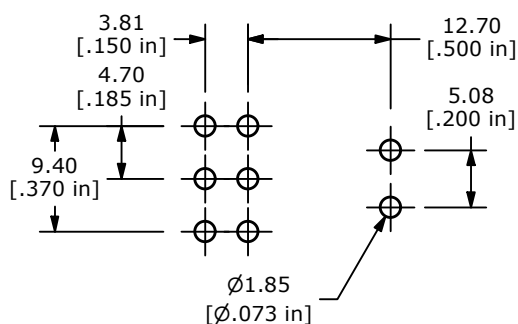


100 SERIES TOGGLE SWITCH

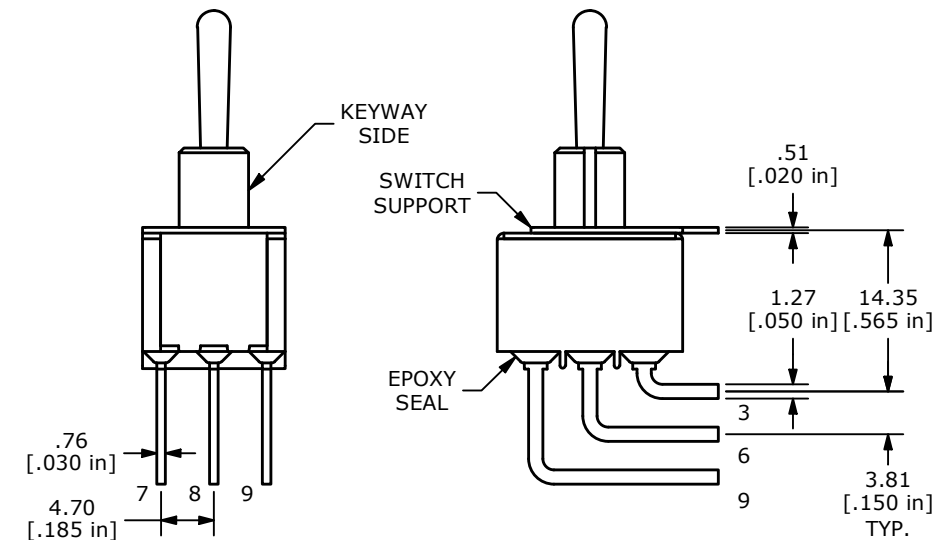
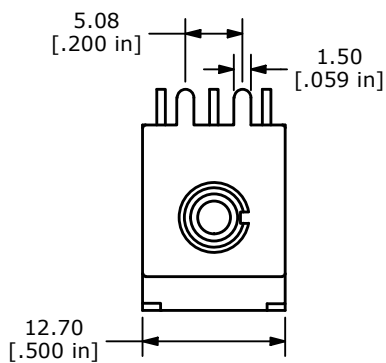
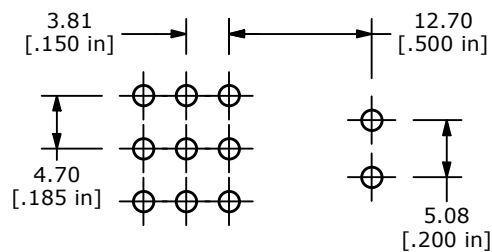
TERMINATION OPTIONS

- ANTI-VANDAL SWITCHES
- DETECTOR SWITCHES
- DIP SWITCHES
- KEYLOCK SWITCHES
- NAVIGATION SWITCHES
- PUSHBUTTON SWITCHES
- ROCKER SWITCHES
- ROTARY SWITCHES
- SLIDE SWITCHES
- SNAP ACTION SWITCHES
- TACTILE SWITCHES
- TOGGLE SWITCHES**
- CAP OPTIONS

M6 - DP HORIZONTAL RIGHT ANGLE PCB MOUNT



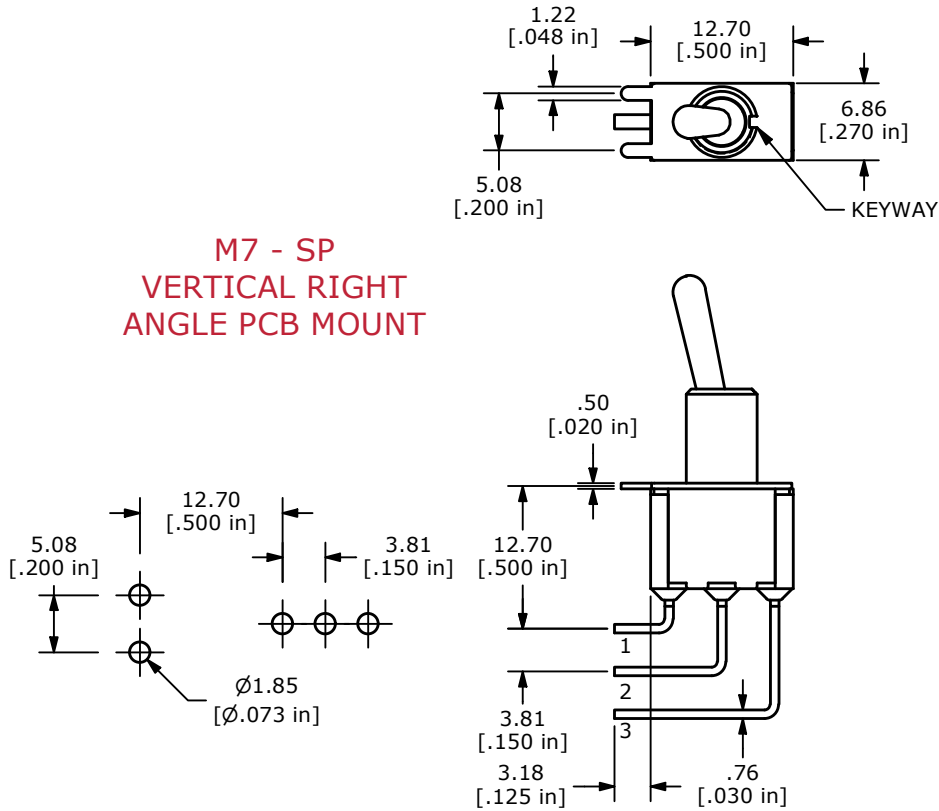
M6 - 3P HORIZONTAL RIGHT ANGLE PCB MOUNT



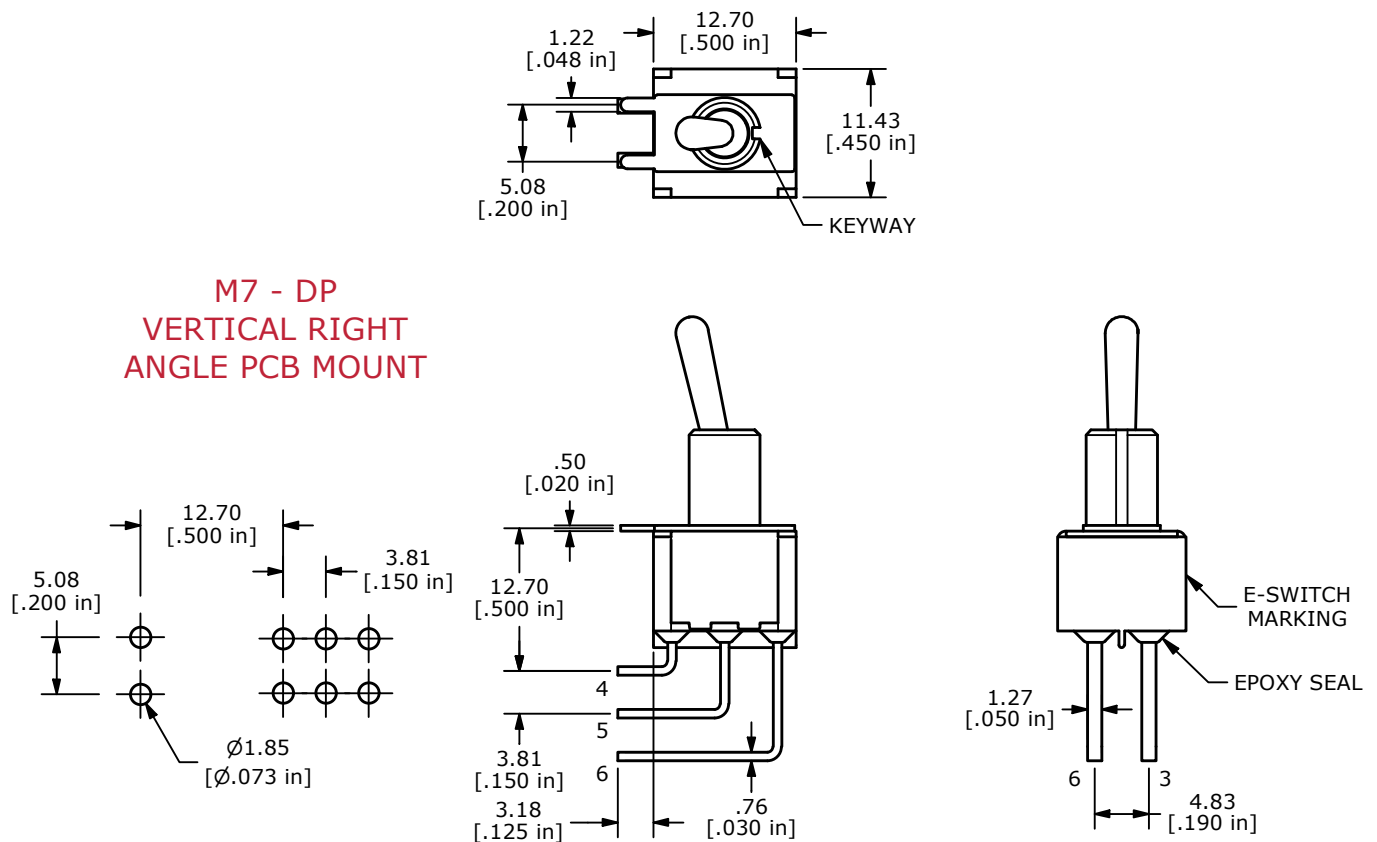
100 SERIES TOGGLE SWITCH

TERMINATION OPTIONS

**M7 - SP
VERTICAL RIGHT
ANGLE PCB MOUNT**



**M7 - DP
VERTICAL RIGHT
ANGLE PCB MOUNT**

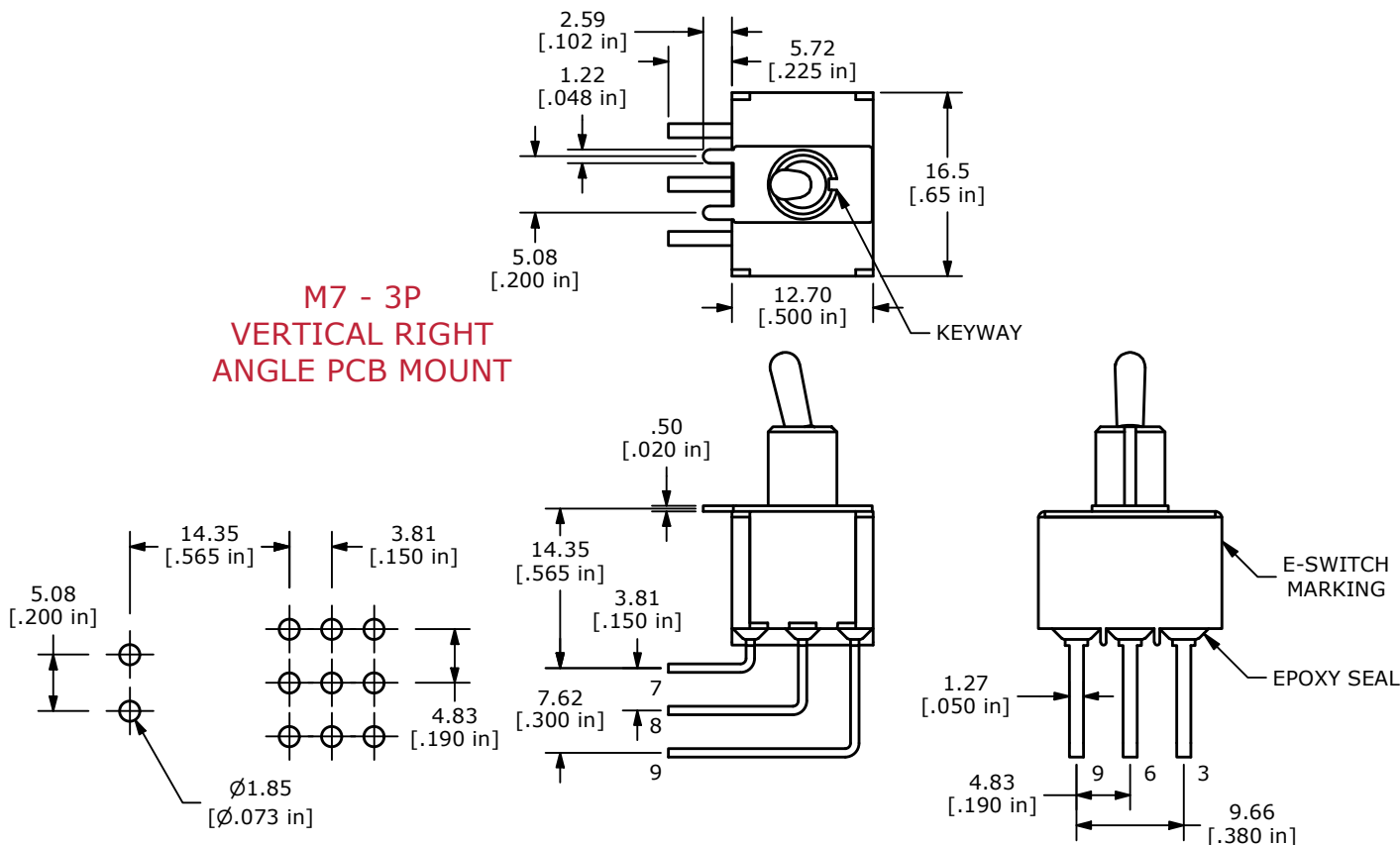


100 SERIES TOGGLE SWITCH

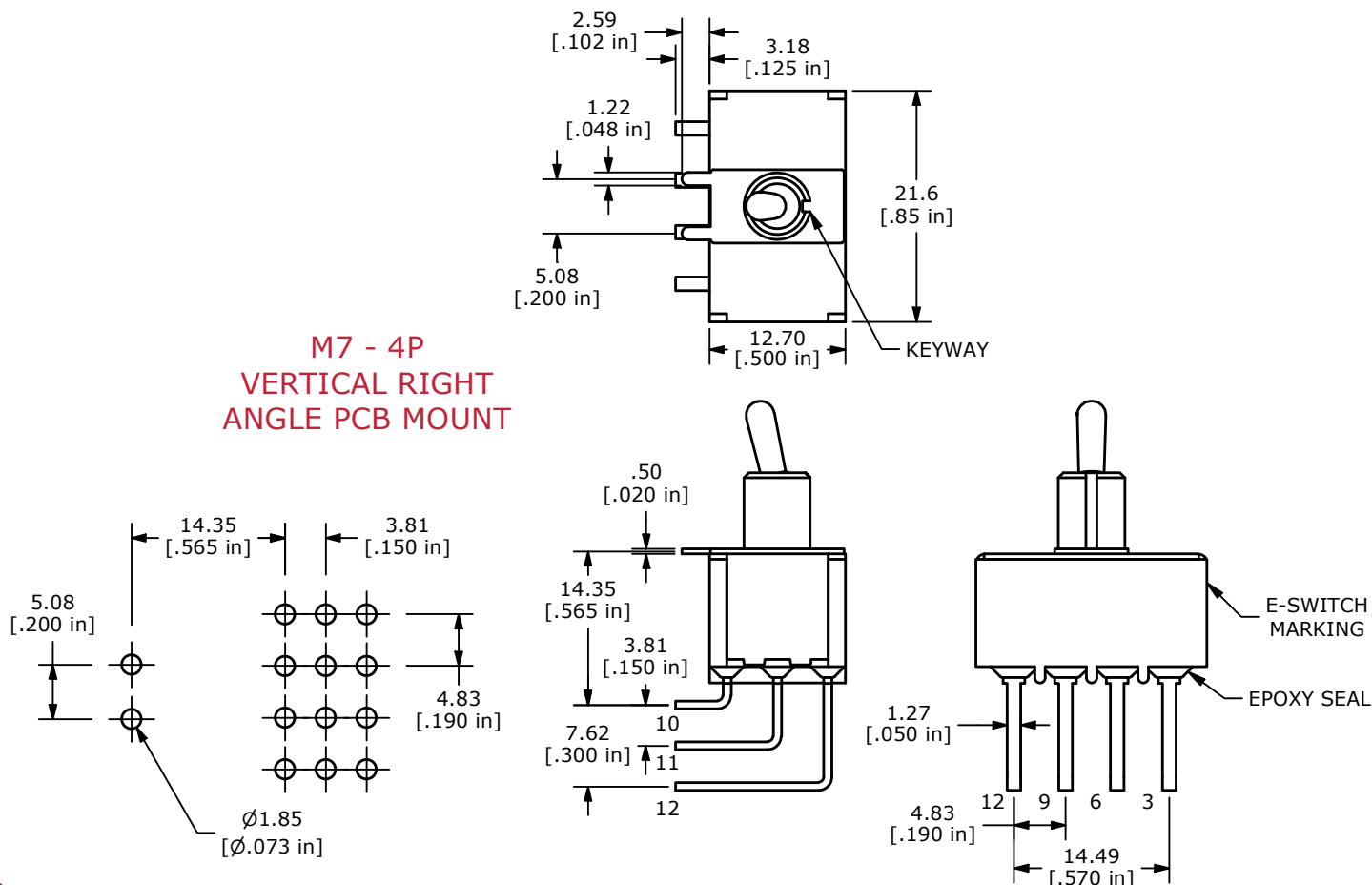
TERMINATION OPTIONS

- ANTI-VANDAL SWITCHES
- DETECTOR SWITCHES
- DIP SWITCHES
- KEYLOCK SWITCHES
- NAVIGATION SWITCHES
- PUSHBUTTON SWITCHES
- ROCKER SWITCHES
- ROTARY SWITCHES
- SLIDE SWITCHES
- SNAP ACTION SWITCHES
- TACTILE SWITCHES
- TOGGLE SWITCHES**
- CAP OPTIONS

**M7 - 3P
VERTICAL RIGHT
ANGLE PCB MOUNT**



**M7 - 4P
VERTICAL RIGHT
ANGLE PCB MOUNT**

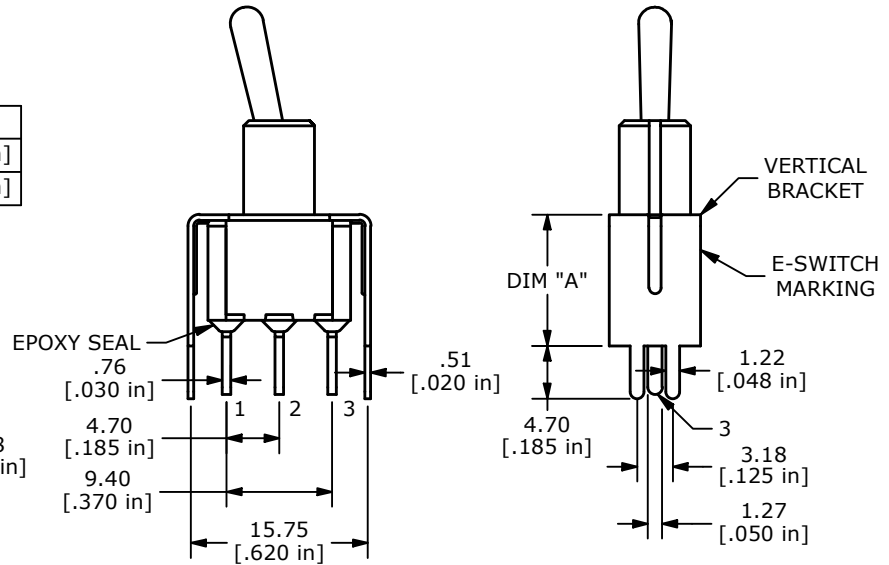
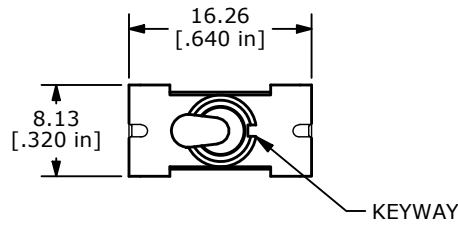
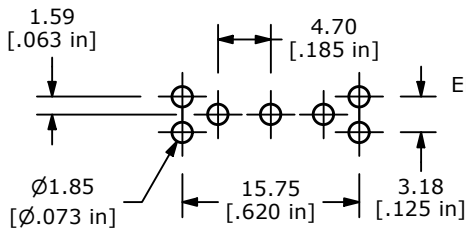


100 SERIES TOGGLE SWITCH

TERMINATION OPTIONS

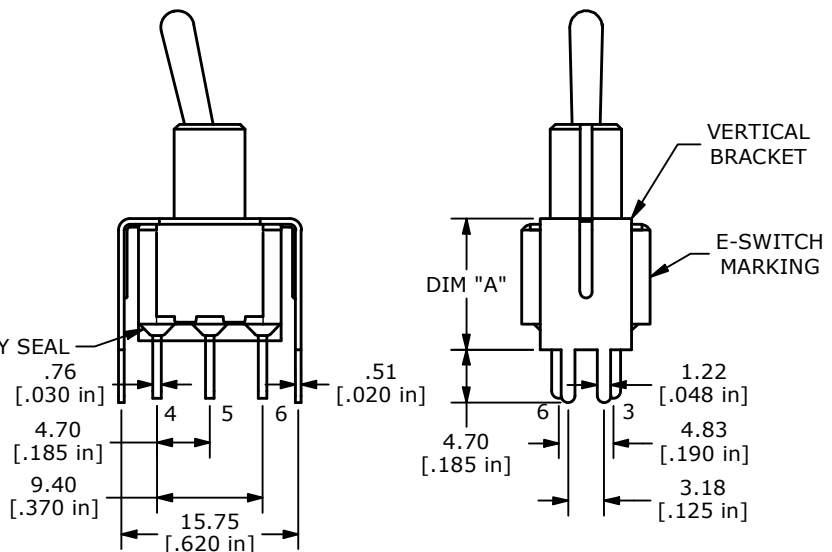
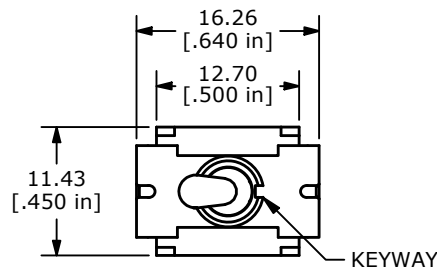
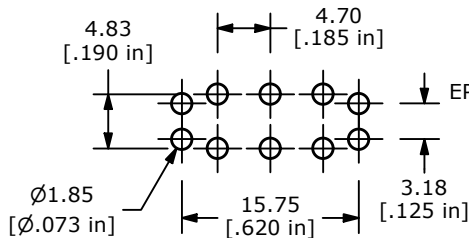
VS2 - VS3 - SP VERTICAL BRACKET PCB MOUNT (REQUIRES M2 TERMINATION)

OPTION CODE	DIM "A"
VS2	11.68 [0.460 in]
VS3	16.00 [0.630 in]



VS2 - VS3 - DP VERTICAL BRACKET PCB MOUNT (REQUIRES M2 TERMINATION)

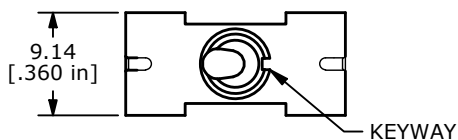
OPTION CODE	DIM "A"
VS2	11.68 [0.460 in]
VS3	16.00 [0.630 in]



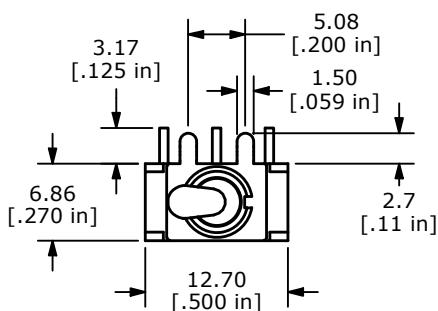
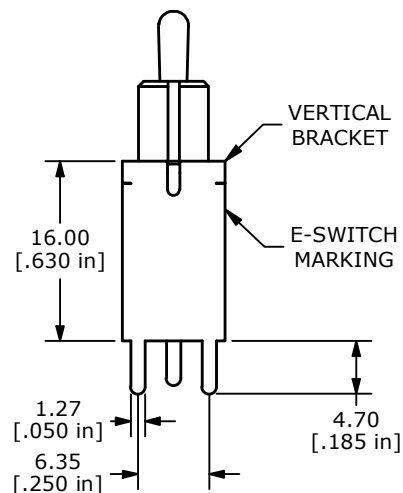
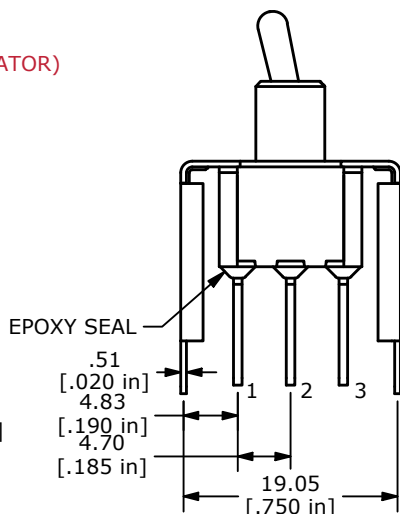
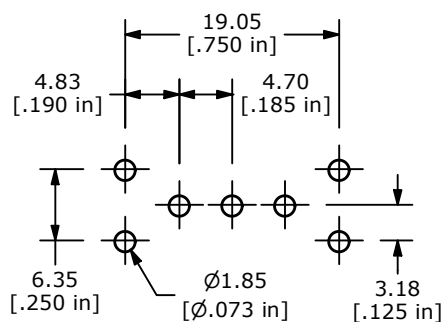
100 SERIES TOGGLE SWITCH

TERMINATION OPTIONS

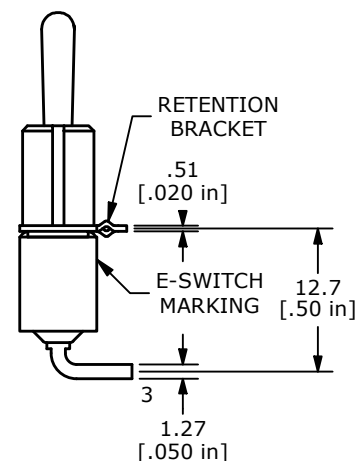
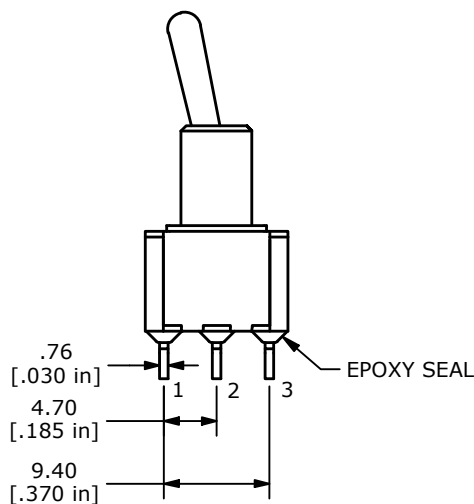
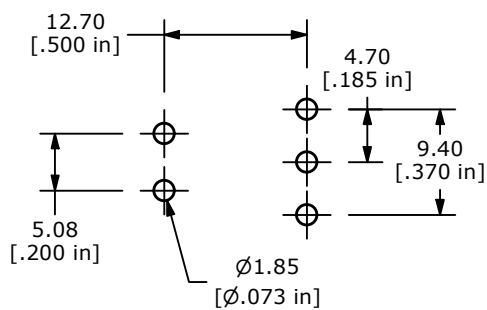
- ANTI-VANDAL SWITCHES
- DETECTOR SWITCHES
- DIP SWITCHES
- KEYLOCK SWITCHES
- NAVIGATION SWITCHES
- PUSHBUTTON SWITCHES
- ROCKER SWITCHES
- ROTARY SWITCHES
- SLIDE SWITCHES
- SNAP ACTION SWITCHES
- TACTILE SWITCHES
- TOGGLE SWITCHES**
- CAP OPTIONS



VS5 - SP
VERTICAL BRACKET
PCB MOUNT
 (NOT AVAILABLE w/K1 OR K2 ACTUATOR)



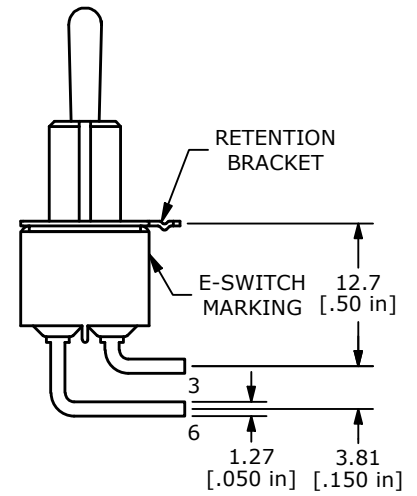
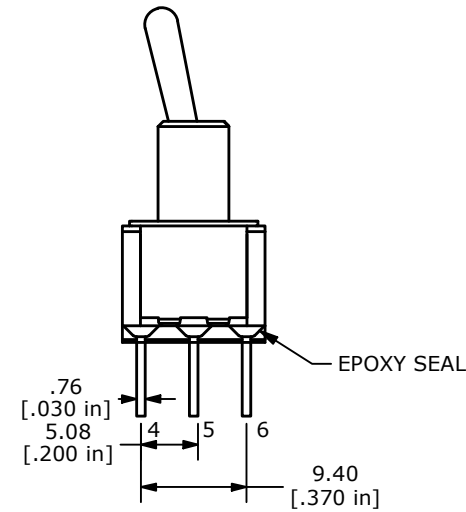
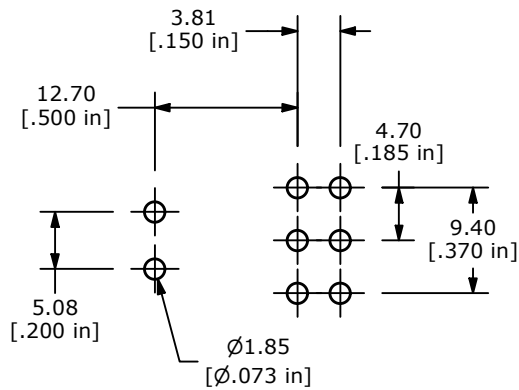
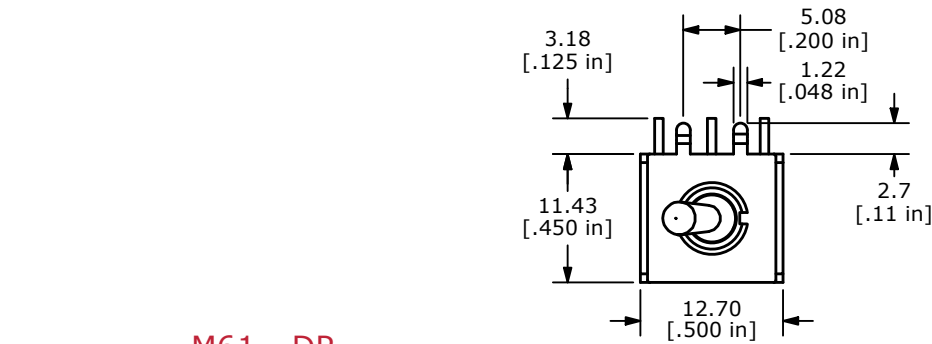
M61 - SP
HORIZONTAL RT.
ANGLE PCB MOUNT
 (w/ RETENTION BRACKET)



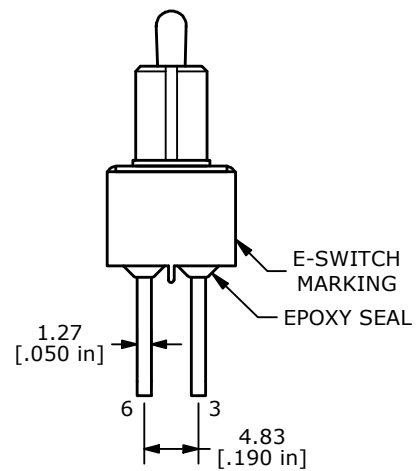
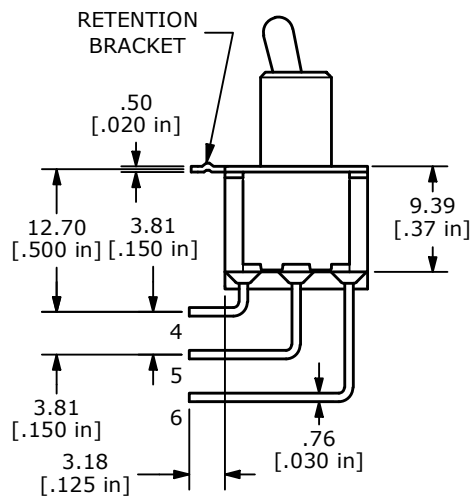
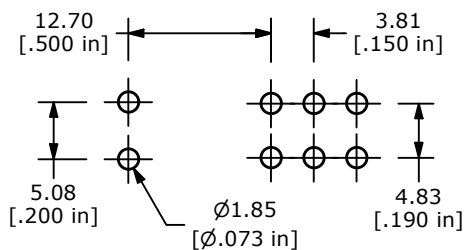
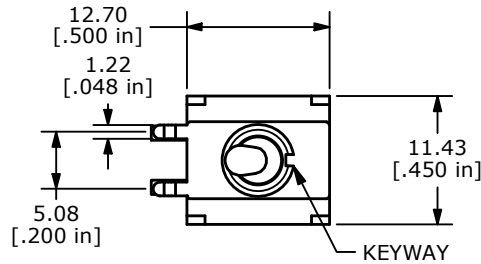
100 SERIES TOGGLE SWITCH

TERMINATION OPTIONS

**M61 - DP
HORIZONTAL RT.
ANGLE PCB MOUNT
(w/RETENTION BRACKET)**



**M71 - DP
VERTICAL RT.
ANGLE PCB MOUNT
(w/RETENTION BRACKET)**



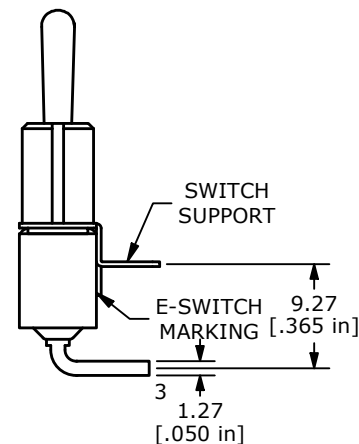
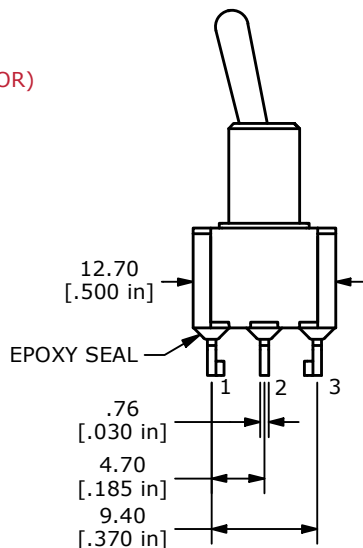
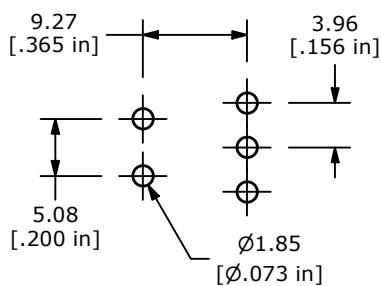
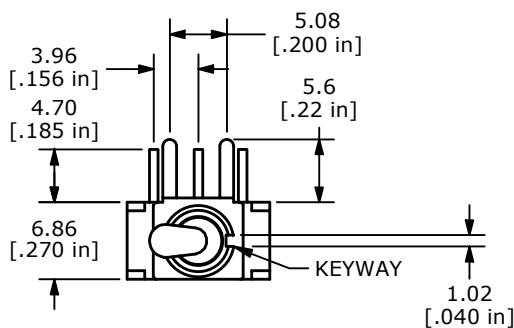
ANTI-VANDAL SWITCHES
DETECTOR SWITCHES
DIP SWITCHES
KEYLOCK SWITCHES
NAVIGATION SWITCHES
PUSHBUTTON SWITCHES
ROCKER SWITCHES
ROTARY SWITCHES
SLIDE SWITCHES
SNAP ACTION SWITCHES
TACTILE SWITCHES
TOGGLE SWITCHES
CAP OPTIONS

100 SERIES TOGGLE SWITCH

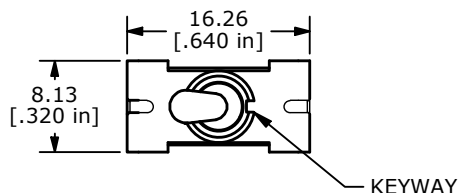
TERMINATION OPTIONS

ANTI-VANDAL SWITCHES
 DETECTOR SWITCHES
 DIP SWITCHES
 KEYLOCK SWITCHES
 NAVIGATION SWITCHES
 PUSHBUTTON SWITCHES
 ROCKER SWITCHES
 ROTARY SWITCHES
 SLIDE SWITCHES
 SNAP ACTION SWITCHES
 TACTILE SWITCHES
TOGGLE SWITCHES
 CAP OPTIONS

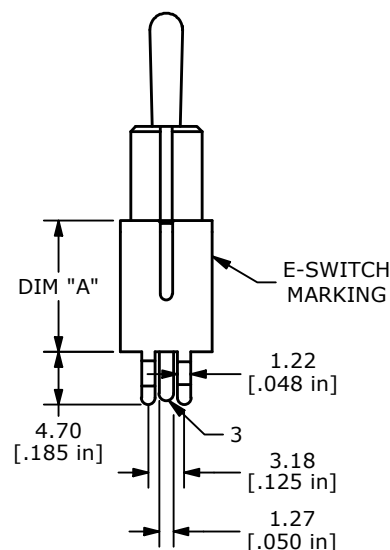
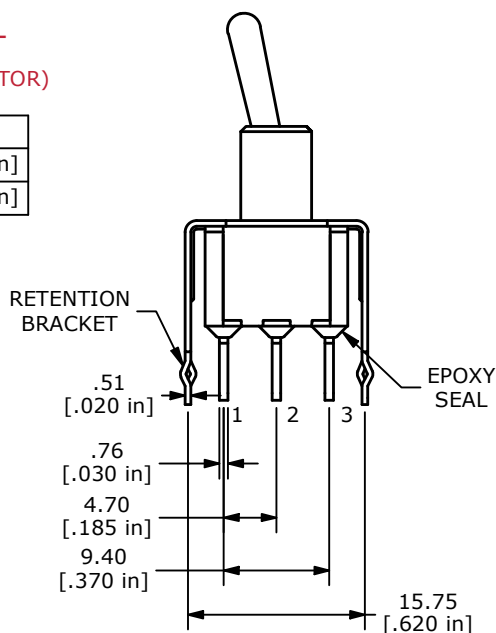
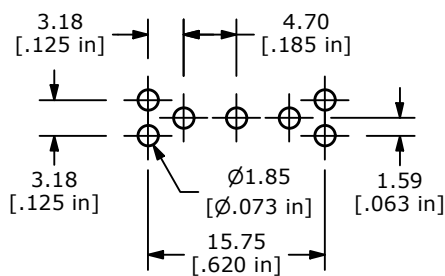
M64 - SP HORIZONTAL RT. ANGLE PCB MOUNT (NOT AVAILABLE w/K1 OR K2 ACTUATOR)



VS21 - VS31 - SP VERTICAL PCB MOUNT (NOT AVAILABLE w/K1 OR K2 ACTUATOR)



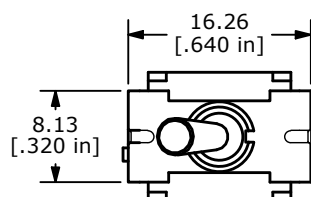
OPTION CODE	DIM "A"
VS21	11.68 [0.460 in]
VS31	16.00 [0.630 in]



100 SERIES TOGGLE SWITCH

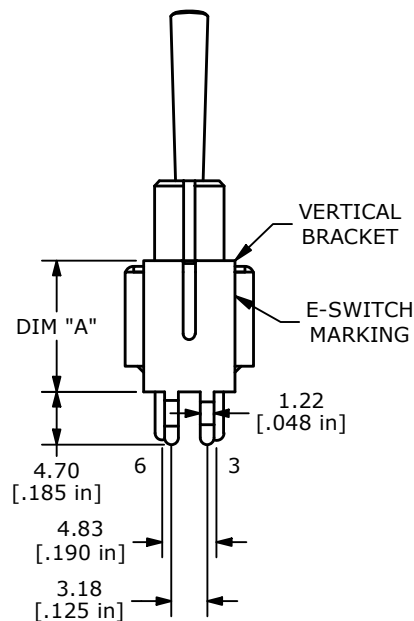
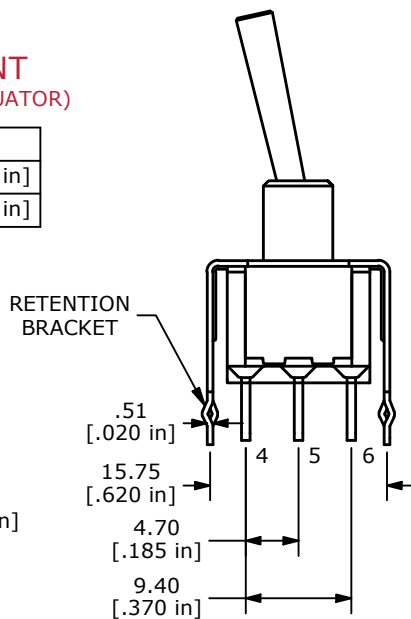
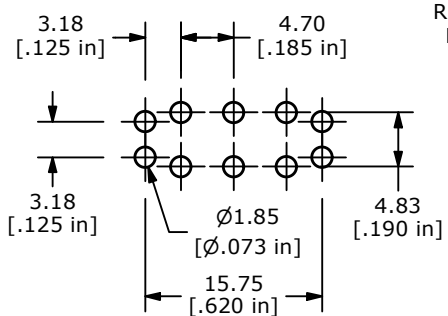
TERMINATION OPTIONS

ANTI-VANDAL SWITCHES
 DETECTOR SWITCHES
 DIP SWITCHES
 KEYLOCK SWITCHES
 NAVIGATION SWITCHES
 PUSHBUTTON SWITCHES
 ROCKER SWITCHES
 ROTARY SWITCHES
 SLIDE SWITCHES
 SNAP ACTION SWITCHES
 TACTILE SWITCHES
TOGGLE SWITCHES
 CAP OPTIONS



VS21 - VS31 - DP
VERTICAL PCB MOUNT
 (NOT AVAILABLE w/K1 OR K2 ACTUATOR)

OPTION CODE	DIM "A"
VS21	11.68 [0.460 in]
VS31	16.00 [0.630 in]



Looking for pricing, stock, or lifecycle information?

Click below to explore more details on WIN SOURCE:

 [View 100SP4T8B13VS3QEH on WIN SOURCE](#)

 [E-SWITCH](#) Information

Optimize Your Supply Chain with WIN SOURCE Solutions

-  Global Sourcing Solution
-  Obsolete Management
-  Cost Control Management
-  Shortage Management
-  Alternative Solution
-  Excess Inventory Management