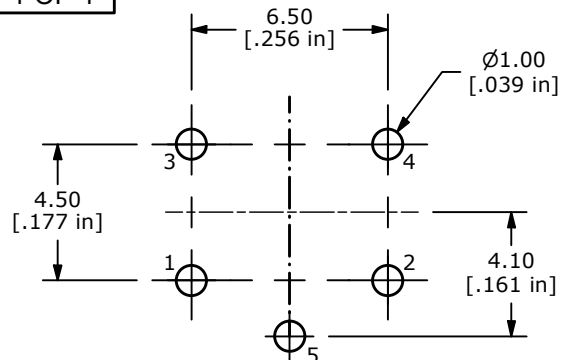


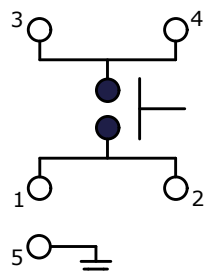


**THE DATASHEET OF
TLE1105BF250Q**





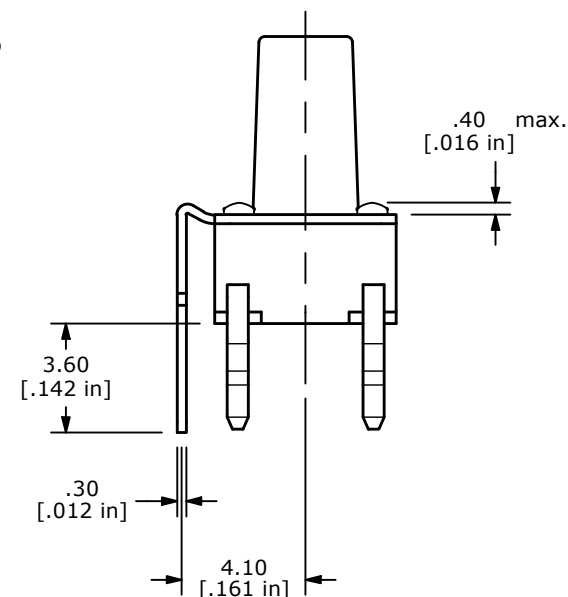
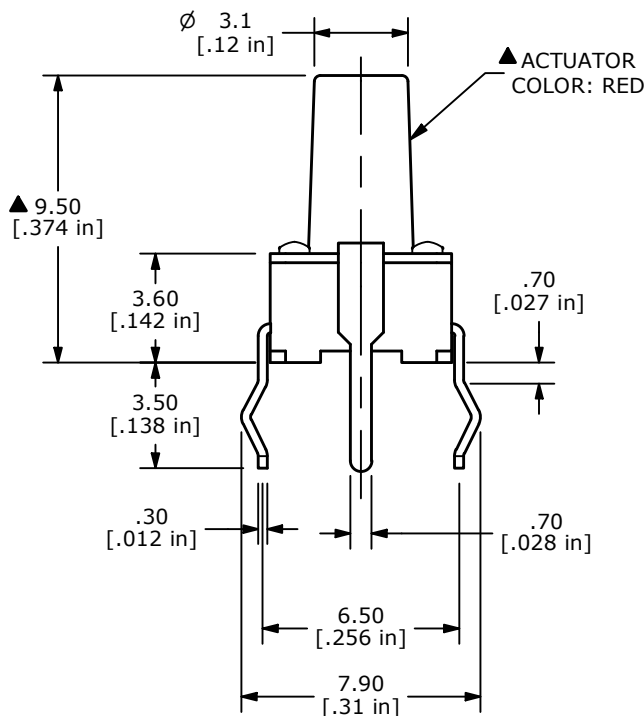
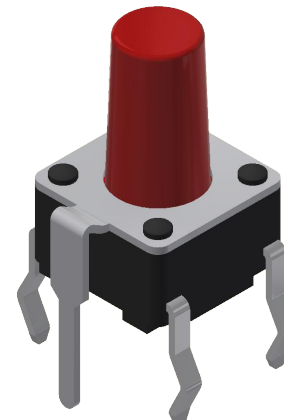
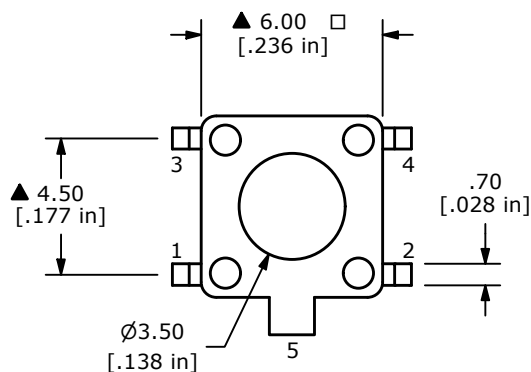
P.C.B LAYOUT



CIRCUIT: SPST ▲

NOTES:

1. ALL DIMENSIONS IN MM [INCH]
2. GENERAL TOLERANCE: X.X = ± 0.4
X.XX = ± 0.25
3. TERM. NUMBERS FOR REF. ONLY.
4. RATING: 50mA @ 12VDC
- ▲ 5. OPERATING FORCE: 250 ± 50gf
6. TRAVEL: 0.25 +0.2/-0.1mm
7. CONTACT RESISTANCE: 100 mΩ MAX.
- ▲ 8. CONTACT MATERIAL: SILVER
9. DIELECTRIC STRENGTH: 250V RMS min.
10. INSULATION RESISTANCE: 100 MEGAΩ min.
11. ELECTRICAL LIFE: 100,000 CYCLES
12. ▲ DENOTES CRITICAL PARAMETER.
13. OPERATING TEMP: -40°C to 85°C
14. PACKAGE: POLYBAG / 750 PIECES PER BAG



REV	ECO NO	DESCRIPTION	DATE	BY
C	ECO-102176	PRINT UPDATE	08/31/23	JS



OBJECT ID
000017663

TITLE TLE1105BF250Q				
SCALE 4:1	DATE 12/1/1998	DR MM	DWG P010033	REV C

Looking for pricing, stock, or lifecycle information?

Click below to explore more details on WIN SOURCE:

 [View TLE1105BF250Q on WIN SOURCE](#)

 [E-SWITCH](#) Information

Optimize Your Supply Chain with WIN SOURCE Solutions

-  Global Sourcing Solution
-  Obsolete Management
-  Cost Control Management
-  Shortage Management
-  Alternative Solution
-  Excess Inventory Management