



THE DATASHEET OF HFJ11-E2450E-L12RL





Product Features:

- 10/100 Ethernet RJ45
- IEEE802.3u Compliant
- 30µ" Gold Plating (min) on Contacts
- 350µH min OCL at 8mA DC Bias Across the Full Temp Range
- 100% Electrical Testing
- 1500Vrms Hi-Pot
- Proprietary Robust Contact Design

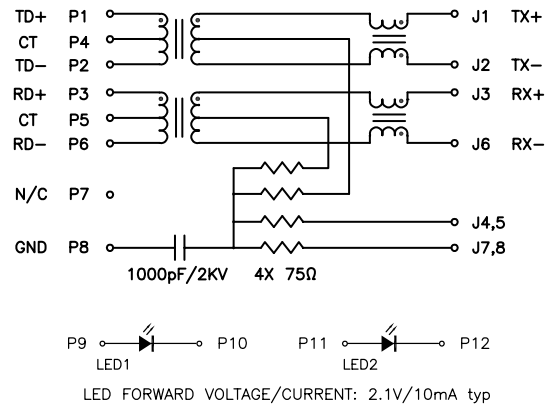
Part Number		Footprint	LED's (L/R)	Return Loss (min)				Insertion Loss (typ)
Standard Temp (0 to 70°C)	Extended Temp (-40 to +85°C)			1-30MHz	40MHz	50MHz	60-80MHz	
HFJ11-2450HRL	HFJ11-E2450HRL	A	None	-18dB	-15.5dB	-13.6dB	-12dB	-1.1dB
HFJ11-2450ERL ¹	HFJ11-E2450ERL ¹	B	None	-18dB	-15.5dB	-13.6dB	-12dB	-1.1dB
HFJ11-2450E-L11RL	HFJ11-E2450E-L11RL	C	G/G	-18dB	-15.5dB	-13.6dB	-12dB	-1.1dB
HFJ11-2450E-L12RL	HFJ11-E2450E-L12RL	C	G/Y	-18dB	-15.5dB	-13.6dB	-12dB	-1.1dB
HFJ11-2450E-L15RL	HFJ11-E2450E-L15RL	C	G/G(Y)	-18dB	-15.5dB	-13.6dB	-12dB	-1.1dB
HFJ11-2450E-L17RL	HFJ11-E2450E-L17RL	C	G/G(O)	-18dB	-15.5dB	-13.6dB	-12dB	-1.1dB
HFJ11-2450E-L21RL	HFJ11-E2450E-L21RL	C	Y/G	-18dB	-15.5dB	-13.6dB	-12dB	-1.1dB
HFJ11-2450E-L55RL	HFJ11-E2450E-L55RL	C	G(Y)/G(Y)	-18dB	-15.5dB	-13.6dB	-12dB	-1.1dB
HFJ11-2450E-L56RL	HFJ11-E2450E-L56RL	C	G(Y)/Y(G)	-18dB	-15.5dB	-13.6dB	-12dB	-1.1dB
HFJ11-2450E-L77RL	HFJ11-E2450E-L77RL	C	G(O)/G(O)	-18dB	-15.5dB	-13.6dB	-12dB	-1.1dB
HFJ11-2450E-L78RL	HFJ11-E2450E-L78RL	C	G(O)/O(G)	-18dB	-15.5dB	-13.6dB	-12dB	-1.1dB
HFJ11-245HGRR	HFJ11-E245HGRR	GR-1089 Intra-Building Lightning Protection						
HFJ11-245HGRPRL	HFJ11-E245HGRPRL	GR-1089 Intra-Building Enhanced Lightning Protection						
HFJ11-2450GRRL ¹	HFJ11-E2450GRRL ¹	GR-1089 Intra-Building Lightning Protection						
HFJ11-2450GRPRL ¹	HFJ11-E2450GRPRL ¹	GR-1089 Intra-Building Enhanced Lightning Protection						

Notes:

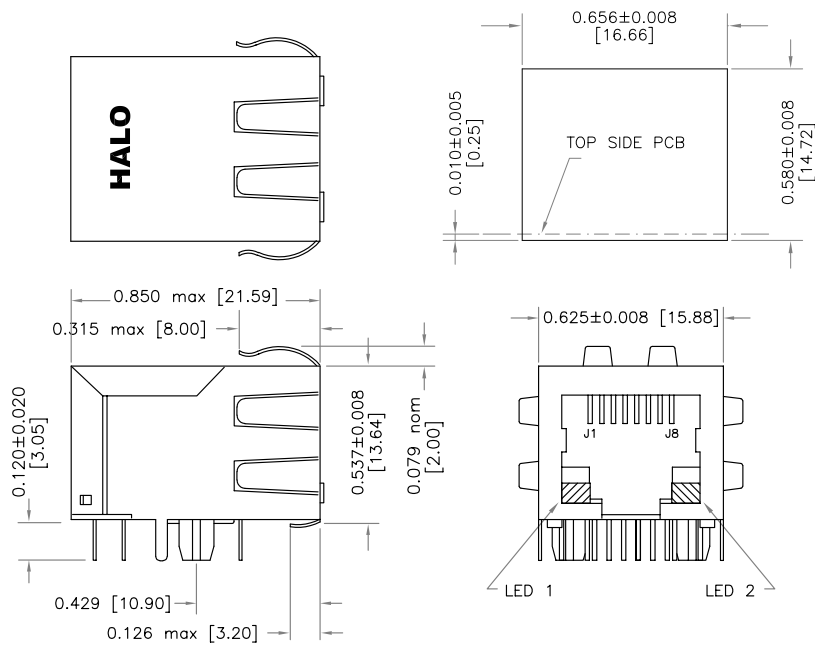
1. Not recommended for new designs.
2. LED Key : G = Green, Y = Yellow, O = Orange, () = Bi-Color
3. Other LED colors, bi-colors, polarities, and current limiting versions available.
4. Unshielded or shielded without ground tabs available.
5. Part specific datasheets available.
6. Contact the factory for more information regarding GR-1089 lightning FastJacks.

HALO 10/100BASE-TX Ethernet Family of FastJacks

Circuit

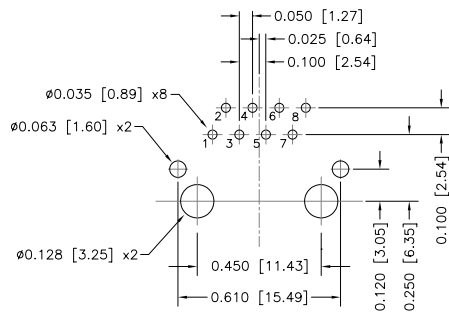


Mechanical

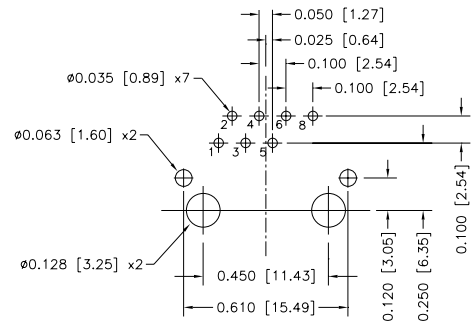


Dimensions are in inches [mm]

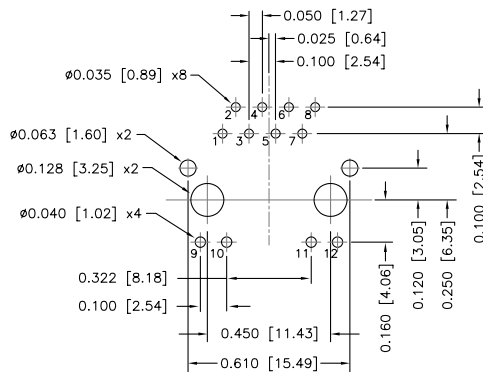
Footprint A



Footprint B



Footprint C



Recommended PCB Layout
(Component Side)

Dimensions are in inches [mm]





2880 Lakeside Drive #116
Santa Clara, CA 95054
(650) 903-3800
www.haloelectronics.com

HALO® Electronics is a leading supplier of high quality communication magnetics including signal transformers, filters, CMR chokes, PoE power transformers, DC/DC converters, and integrated Ethernet connectors. HALO's leading edge technology solutions are manufactured in ISO9001 and ISO14001 factories offering high quality products at a competitive price.

Looking for pricing, stock, or lifecycle information?

Click below to explore more details on WIN SOURCE:

-  [View HFJ11-E2450E-L12RL on WIN SOURCE](#)
-  [Halo Electronics Inc Information](#)

Optimize Your Supply Chain with WIN SOURCE Solutions

-  Global Sourcing Solution
-  Obsolete Management
-  Cost Control Management
-  Shortage Management
-  Alternative Solution
-  Excess Inventory Management