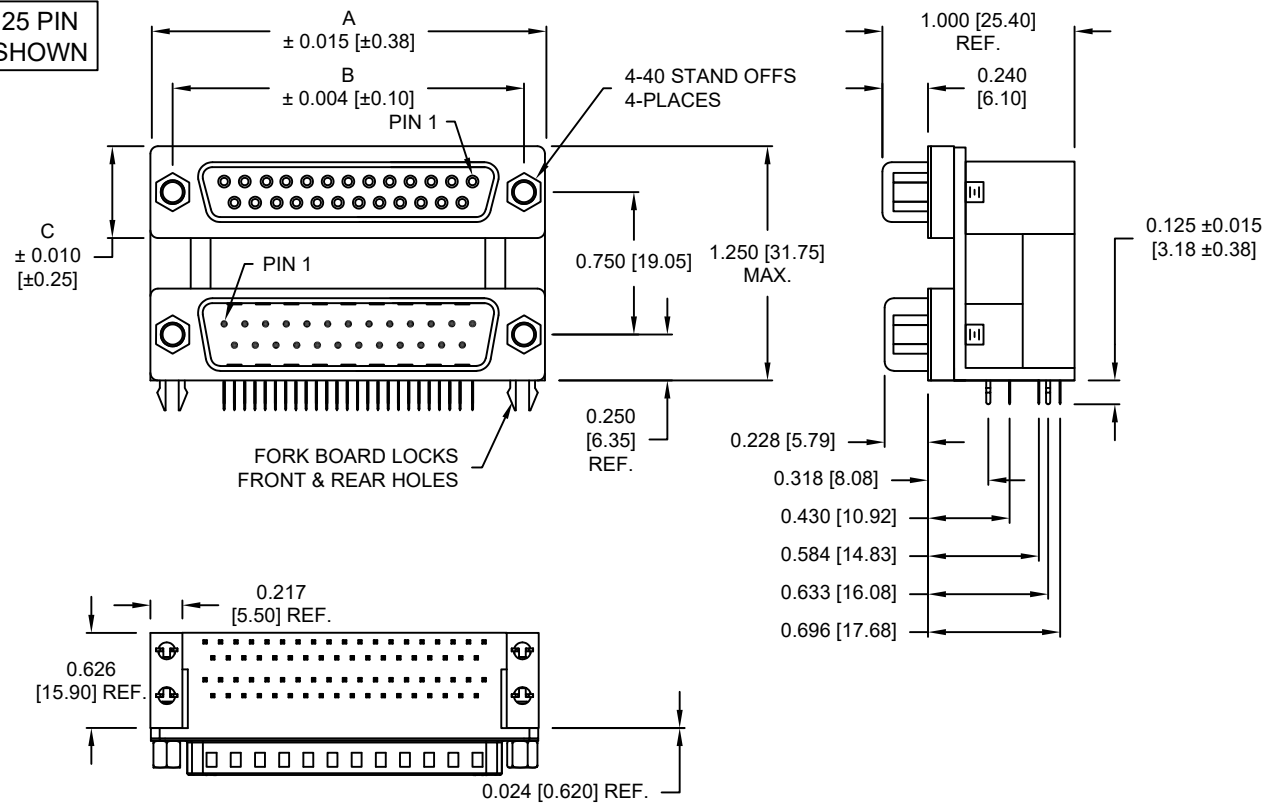


DESCRIPTION: 0.750 CENTER DUAL PORT D-SUB - FEMALE OVER MALE

25 PIN
SHOWN



SPECIFICATIONS:

MATERIALS:

HOUSING: UL 94V-0 RATED, BLACK PA9T, 260° PROCESS TEMP.

CONTACTS: GOLD PLATED BRASS (SEE P/N KEY BELOW)

SHELL: STEEL, NICKEL PLATED

ELECTRICAL:

RATED CURRENT: 5A

INSULATOR RESISTANCE: 1,000 Ohms MIN.

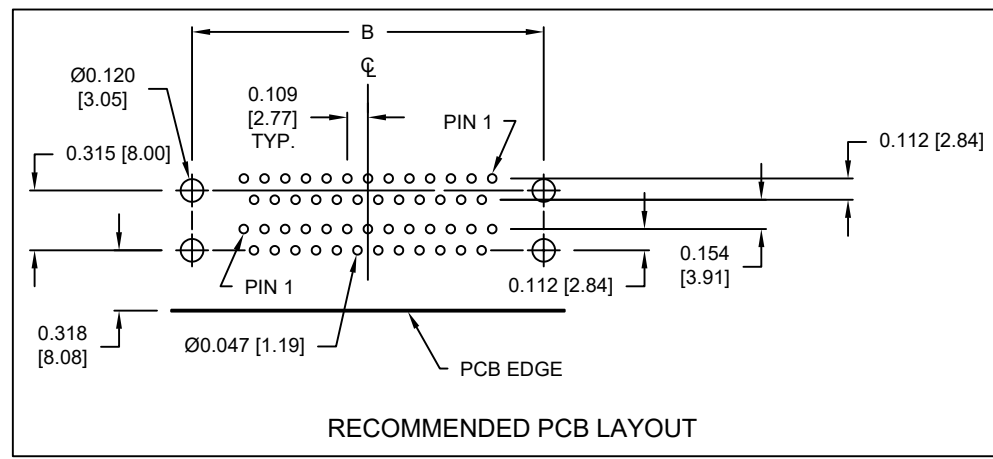
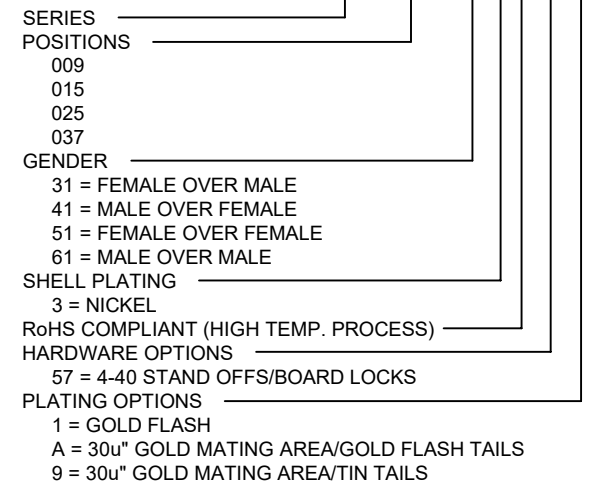
DIELECTRIC STRENGTH: 1,000 VAC RMS

OPERATING TEMPERATURE: -55°C TO +105°C

DIMENSIONS (IN.)

	9	15	25	37
A	1.204 [30.58]	1.535 [38.99]	2.078 [52.78]	2.724 [69.19]
B	0.984 [24.99]	1.312 [33.32]	1.850 [46.99]	2.500 [63.50]
C	0.494 [12.55]	0.494 [12.55]	0.494 [12.55]	0.494 [12.55]

178-YYY-313R571



RoHS COMPLIANT

UNITS = inch [mm]

DO NOT SCALE FROM DRAWING



THESE DRAWINGS AND SPECIFICATIONS ARE THE PROPERTY OF NorComp AND SHALL NOT BE REPRODUCED, COPIED OR USED AS THE BASIS FOR THE MANUFACTURE OR SALE OF APPARATUS WITHOUT WRITTEN PERMISSION.

DRAWN: C. SMITH

DATE: 3/30/07

NorComp

SCALE: NTS

SHEET 1 OF 1

REV 8

DWG NO. 178-YYY-313R571

Looking for pricing, stock, or lifecycle information?

Click below to explore more details on WIN SOURCE:

 [View 178-015-313R571 on WIN SOURCE](#)

 [NorComp Inc. Information](#)

Optimize Your Supply Chain with WIN SOURCE Solutions

-  Global Sourcing Solution
-  Obsolete Management
-  Cost Control Management
-  Shortage Management
-  Alternative Solution
-  Excess Inventory Management