



**THE DATASHEET OF
IP4234CZ6,125**





IP4234CZ6

Single USB 2.0 ESD protection to IEC 61000-4-2 level 4

Rev. 3.0 — 31 January 2018

Product data sheet

1 Product profile

1.1 General description

The IP4234CZ6 is designed to protect Input/Output (I/O) USB 2.0 ports, that are sensitive to capacitive loads, from being damaged by ElectroStatic Discharge (ESD). The π -filter structure is implemented with a small series resistor to provide the necessary protection to signal and supply components from ESD voltages greater than ± 8 kV contact discharge according IEC 61000-4-2, level 4.

The ESD protection is independent of the supply voltage due to the rail-to-rail diode architecture being connected to a Zener diode.

The IP4234CZ6 is fabricated using monolithic silicon technology and integrates two ultra-low capacitance π -filter ESD protection diodes plus a Zener diode in a miniature 6-lead SOT457 package.

1.2 Features

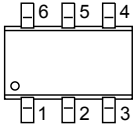
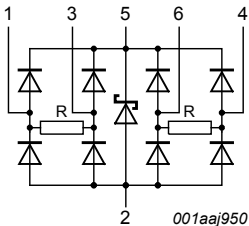
- Pb-free and RoHS compliant
- Simple, direct signal routing provides for high speed signal integrity
- ESD protection compliant to IEC 61000-4-2 level 4, ± 8 kV contact discharge
- Four low input capacitance (3.1 pF typical) rail-to-rail ESD protection diodes
- Low voltage clamping due to an integrated Zener diode
- Small 6-lead SO6 (SOT457) package
- IEC 61000-4-5 15 A Lightning (8/20 μ s) compliant

1.3 Applications

- General-purpose downstream ESD protection high frequency analog signals and high-speed serial data transmission for ports inside:
 - Cellular and PCS mobile handsets
 - PC/Notebook USB2.0/IEEE1394 ports
 - DVI interfaces
 - HDMI interfaces
 - Cordless telephones
 - Wireless data (WAN/LAN) systems
 - PDAs

2 Pinning information

Table 1. Pinning

Pin	Description	Simplified outline	Graphic symbol
1	ESD protection I/O channel 1		
2	ground		
3	ESD protection I/O channel 1		
4	ESD protection I/O channel 2		
5	supply voltage		
6	ESD protection I/O channel 2		

3 Ordering information

Table 2. Ordering options

Type number	Package		
	Name	Description	Version
IP4234CZ6	TSOP6	plastic surface-mounted package (TSOP6); 6 leads	SOT457

4 Limiting values

Table 3. Limiting values

In accordance with the Absolute Maximum Rating System (IEC 60134).

Symbol	Parameter	Conditions	Min	Max	Unit
V_I	input voltage		GND - 0.5	+5.5	V
V_{esd}	electrostatic discharge voltage	all pins; IEC 61000-4-2 level 4; contact discharge	-15	+15	kV
P_{PP}	peak pulse power	$t_p = 8/20 \mu\text{s}$; IEC 61000-4-5 15 A lightning	-	100	W
T_{stg}	storage temperature		-55	+125	°C

5 Recommended operating conditions

Table 4. Operating conditions

Symbol	Parameter	Conditions	Min	Max	Unit
T_{amb}	ambient temperature		-40	+85	°C

6 Characteristics

Table 5. Characteristics

$T_{amb} = 25\text{ }^{\circ}\text{C}$ unless otherwise specified.

Symbol	Parameter	Conditions		Min	Typ	Max	Unit
$C_{(I/O-GND)}$	input/output to ground capacitance	pins 1, 3, 4, 6; $V_I = 0\text{ V}$; $f = 1\text{ MHz}$; $V_{CC} = 3.0\text{ V}$	[1]	-	3.1	3.8	pF
$C_{(zd-GND)}$	Zener diode to ground capacitance	pin 5 to pin 2; $V_I = 0\text{ V}$; $f = 1\text{ MHz}$; $V_{CC} = 3.0\text{ V}$	[1]	-	40	-	pF
I_{LR}	reverse leakage current	pins 1, 3, 4, 6 to ground; $V_I = 3.0\text{ V}$		-	-	100	nA
V_{BRzd}	Zener diode breakdown voltage	pin 5 to pin 2; $I = 1\text{ mA}$		6	-	9	V
V_F	forward voltage		[1]	-	0.7	-	V
R_s	series resistance	$T_{case} = 25\text{ }^{\circ}\text{C}$	[1]	-	0.5	-	Ω

[1] Guaranteed by design.

7 Application information

7.1 Universal serial bus 2.0 protection

The IP4234CZ6 is optimized to protect a USB 2.0 port from ESD. The device is capable of protecting both USB data lines and the V_{BUS} supply. A typical application is shown below.

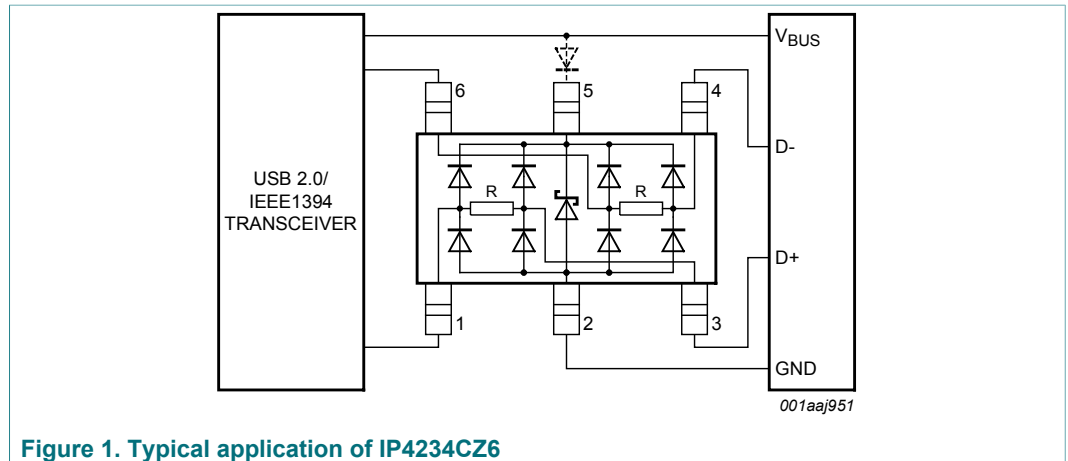


Figure 1. Typical application of IP4234CZ6

To avoid a short circuit on the data lines when V_{BUS} is shut down, a back drive protection diode can be attached to the IP4234CZ6.

8 Package outline

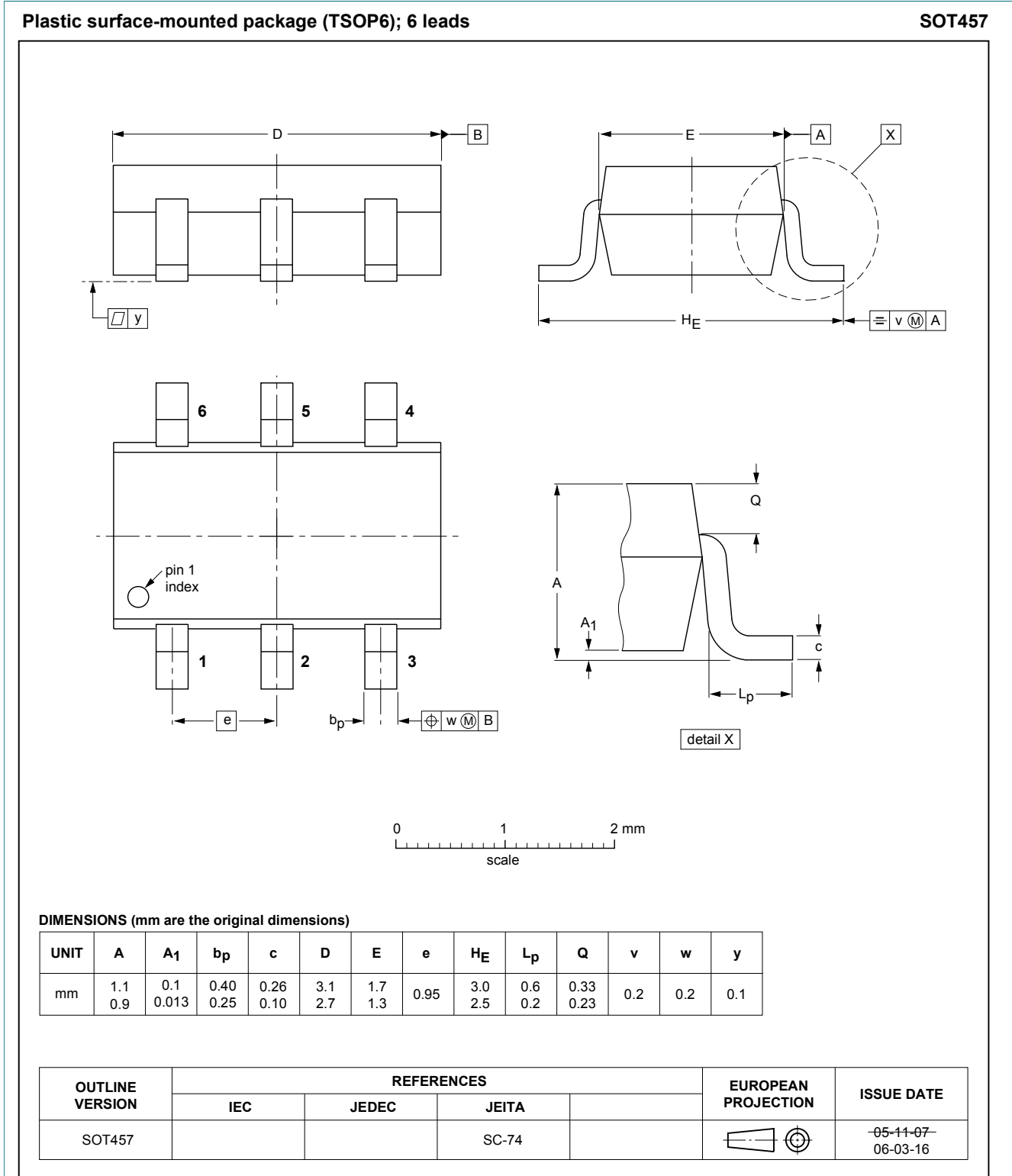


Figure 2. Package outline SOT457 (TSOP6)

9 Soldering of SMD packages

This text provides a very brief insight into a complex technology. A more in-depth account of soldering ICs can be found in Application Note AN10365 “Surface mount reflow soldering description”.

9.1 Introduction to soldering

Soldering is one of the most common methods through which packages are attached to Printed Circuit Boards (PCBs), to form electrical circuits. The soldered joint provides both the mechanical and the electrical connection. There is no single soldering method that is ideal for all IC packages. Wave soldering is often preferred when through-hole and Surface Mount Devices (SMDs) are mixed on one printed wiring board; however, it is not suitable for fine pitch SMDs. Reflow soldering is ideal for the small pitches and high densities that come with increased miniaturization.

9.2 Wave and reflow soldering

Wave soldering is a joining technology in which the joints are made by solder coming from a standing wave of liquid solder. The wave soldering process is suitable for the following:

- Through-hole components
- Leaded or leadless SMDs, which are glued to the surface of the printed circuit board

Not all SMDs can be wave soldered. Packages with solder balls, and some leadless packages which have solder lands underneath the body, cannot be wave soldered. Also, leaded SMDs with leads having a pitch smaller than ~0.6 mm cannot be wave soldered, due to an increased probability of bridging.

The reflow soldering process involves applying solder paste to a board, followed by component placement and exposure to a temperature profile. Leaded packages, packages with solder balls, and leadless packages are all reflow solderable.

Key characteristics in both wave and reflow soldering are:

- Board specifications, including the board finish, solder masks and vias
- Package footprints, including solder thieves and orientation
- The moisture sensitivity level of the packages
- Package placement
- Inspection and repair
- Lead-free soldering versus SnPb soldering

9.3 Wave soldering

Key characteristics in wave soldering are:

- Process issues, such as application of adhesive and flux, clinching of leads, board transport, the solder wave parameters, and the time during which components are exposed to the wave
- Solder bath specifications, including temperature and impurities

9.4 Reflow soldering

Key characteristics in reflow soldering are:

- Lead-free versus SnPb soldering; note that a lead-free reflow process usually leads to higher minimum peak temperatures (see Figure 3) than a SnPb process, thus reducing the process window
- Solder paste printing issues including smearing, release, and adjusting the process window for a mix of large and small components on one board
- Reflow temperature profile; this profile includes preheat, reflow (in which the board is heated to the peak temperature) and cooling down. It is imperative that the peak temperature is high enough for the solder to make reliable solder joints (a solder paste characteristic). In addition, the peak temperature must be low enough that the packages and/or boards are not damaged. The peak temperature of the package depends on package thickness and volume and is classified in accordance with Table 6 and 7

Table 6. SnPb eutectic process (from J-STD-020C)

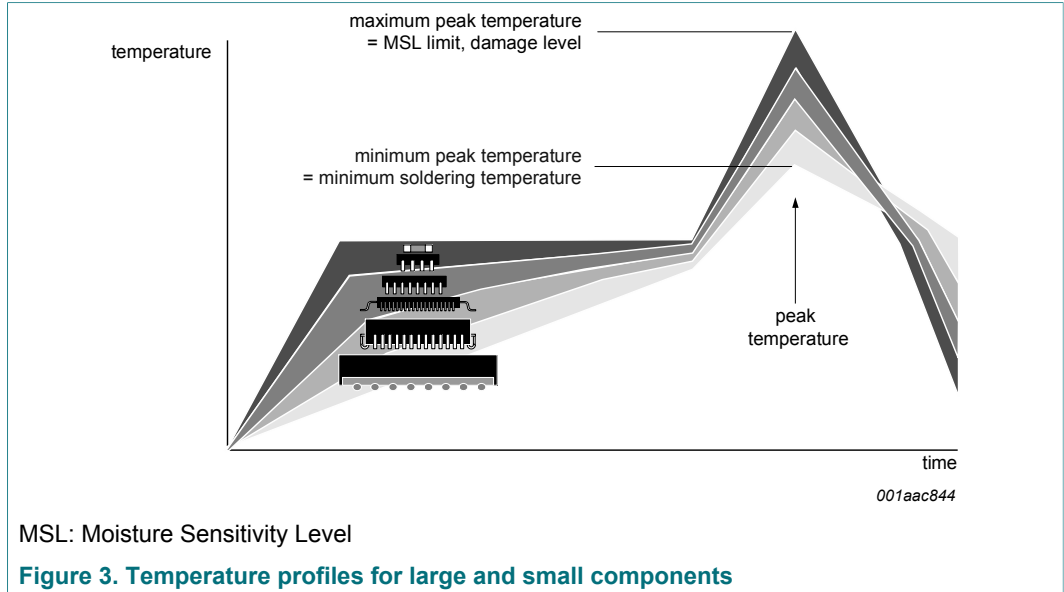
Package thickness (mm)	Package reflow temperature (°C)	
	Volume (mm ³)	
	< 350	≥350
< 2.5	235	220
≥ 2.5	220	220

Table 7. Lead-free process (from J-STD-020C)

Package thickness (mm)	Package reflow temperature (°C)		
	Volume (mm ³)		
	< 350	350 to 2000	> 2000
< 1.6	260	260	260
1.6 to 2.5	260	250	245
> 2.5	250	245	245

Moisture sensitivity precautions, as indicated on the packing, must be respected at all times.

Studies have shown that small packages reach higher temperatures during reflow soldering, see Figure 3.



For further information on temperature profiles, refer to Application Note AN10365 “Surface mount reflow soldering description”.

10 Abbreviations

Table 8. Abbreviations

Acronym	Description
DVI	Digital Video Interface
ESD	ElectroStatic Discharge
HDMI	High Definition Multimedia interface
LAN	Local Area Network
PCS	Personal Computing System
PDA	Personal Digital Assistant
RoHS	Restriction of Hazardous Substances
USB	Universal Serial Bus
WAN	Wide Area Network

11 Revision history

Table 9. Revision history

Document ID	Release date	Data sheet status	Change notice	Supersedes
IP4234CZ6 v.3	20180131	Product data sheet	-	IP4234CZ6 v.2
		• Data sheet changed to Product status		
IP4234CZ6 v.2	20180109	Preliminary data sheet	-	IP4234CZ6_1
IP4234CZ6_1	20090416	Product data sheet	-	-

12 Legal information

12.1 Data sheet status

Document status ^{[1][2]}	Product status ^[3]	Definition
Objective [short] data sheet	Development	This document contains data from the objective specification for product development.
Preliminary [short] data sheet	Qualification	This document contains data from the preliminary specification.
Product [short] data sheet	Production	This document contains the product specification.

[1] Please consult the most recently issued document before initiating or completing a design.

[2] The term 'short data sheet' is explained in section "Definitions".

[3] The product status of device(s) described in this document may have changed since this document was published and may differ in case of multiple devices. The latest product status information is available on the Internet at URL <http://www.nexperia.com>.

12.2 Definitions

Draft — The document is a draft version only. The content is still under internal review and subject to formal approval, which may result in modifications or additions. Nexperia does not give any representations or warranties as to the accuracy or completeness of information included herein and shall have no liability for the consequences of use of such information.

Short data sheet — A short data sheet is an extract from a full data sheet with the same product type number(s) and title. A short data sheet is intended for quick reference only and should not be relied upon to contain detailed and full information. For detailed and full information see the relevant full data sheet, which is available on request via the local Nexperia sales office. In case of any inconsistency or conflict with the short data sheet, the full data sheet shall prevail.

Product specification — The information and data provided in a Product data sheet shall define the specification of the product as agreed between Nexperia and its customer, unless Nexperia and customer have explicitly agreed otherwise in writing. In no event however, shall an agreement be valid in which the Nexperia product is deemed to offer functions and qualities beyond those described in the Product data sheet.

12.3 Disclaimers

Limited warranty and liability — Information in this document is believed to be accurate and reliable. However, Nexperia does not give any representations or warranties, expressed or implied, as to the accuracy or completeness of such information and shall have no liability for the consequences of use of such information. Nexperia takes no responsibility for the content in this document if provided by an information source outside of Nexperia. In no event shall Nexperia be liable for any indirect, incidental, punitive, special or consequential damages (including - without limitation - lost profits, lost savings, business interruption, costs related to the removal or replacement of any products or rework charges) whether or not such damages are based on tort (including negligence), warranty, breach of contract or any other legal theory. Notwithstanding any damages that customer might incur for any reason whatsoever, Nexperia's aggregate and cumulative liability towards customer for the products described herein shall be limited in accordance with the Terms and conditions of commercial sale of Nexperia.

Right to make changes — Nexperia reserves the right to make changes to information published in this document, including without limitation specifications and product descriptions, at any time and without notice. This document supersedes and replaces all information supplied prior to the publication hereof.

Suitability for use — Nexperia products are not designed, authorized or warranted to be suitable for use in life support, life-critical or safety-critical

systems or equipment, nor in applications where failure or malfunction of an Nexperia product can reasonably be expected to result in personal injury, death or severe property or environmental damage. Nexperia and its suppliers accept no liability for inclusion and/or use of Nexperia products in such equipment or applications and therefore such inclusion and/or use is at the customer's own risk.

Applications — Applications that are described herein for any of these products are for illustrative purposes only. Nexperia makes no representation or warranty that such applications will be suitable for the specified use without further testing or modification. Customers are responsible for the design and operation of their applications and products using Nexperia products, and Nexperia accepts no liability for any assistance with applications or customer product design. It is customer's sole responsibility to determine whether the Nexperia product is suitable and fit for the customer's applications and products planned, as well as for the planned application and use of customer's third party customer(s). Customers should provide appropriate design and operating safeguards to minimize the risks associated with their applications and products. Nexperia does not accept any liability related to any default, damage, costs or problem which is based on any weakness or default in the customer's applications or products, or the application or use by customer's third party customer(s). Customer is responsible for doing all necessary testing for the customer's applications and products using Nexperia products in order to avoid a default of the applications and the products or of the application or use by customer's third party customer(s). Nexperia does not accept any liability in this respect.

Limiting values — Stress above one or more limiting values (as defined in the Absolute Maximum Ratings System of IEC 60134) will cause permanent damage to the device. Limiting values are stress ratings only and (proper) operation of the device at these or any other conditions above those given in the Recommended operating conditions section (if present) or the Characteristics sections of this document is not warranted. Constant or repeated exposure to limiting values will permanently and irreversibly affect the quality and reliability of the device.

Terms and conditions of commercial sale — Nexperia products are sold subject to the general terms and conditions of commercial sale, as published at <http://www.nexperia.com/profile/terms>, unless otherwise agreed in a valid written individual agreement. In case an individual agreement is concluded only the terms and conditions of the respective agreement shall apply. Nexperia hereby expressly objects to applying the customer's general terms and conditions with regard to the purchase of Nexperia products by customer.

No offer to sell or license — Nothing in this document may be interpreted or construed as an offer to sell products that is open for acceptance or the grant, conveyance or implication of any license under any copyrights, patents or other industrial or intellectual property rights.

Export control — This document as well as the item(s) described herein may be subject to export control regulations. Export might require a prior authorization from competent authorities.

Non-automotive qualified products — Unless this data sheet expressly states that this specific Nexperia product is automotive qualified, the product is not suitable for automotive use. It is neither qualified nor tested in accordance with automotive testing or application requirements. Nexperia accepts no liability for inclusion and/or use of non-automotive qualified products in automotive equipment or applications. In the event that customer uses the product for design-in and use in automotive applications to automotive specifications and standards, customer (a) shall use the product without Nexperia's warranty of the product for such automotive applications, use and specifications, and (b) whenever customer uses the product for automotive applications beyond Nexperia's specifications such use shall be solely at customer's own risk, and (c) customer fully indemnifies Nexperia for any liability, damages or failed product claims resulting from customer

design and use of the product for automotive applications beyond Nexperia's standard warranty and Nexperia's product specifications.

Translations — A non-English (translated) version of a document is for reference only. The English version shall prevail in case of any discrepancy between the translated and English versions.

12.4 Trademarks

Notice: All referenced brands, product names, service names and trademarks are the property of their respective owners.

Tables

Tab. 1.	Pinning	2	Tab. 6.	SnPb eutectic process (from J-STD-020C)	6
Tab. 2.	Ordering options	2	Tab. 7.	Lead-free process (from J-STD-020C)	6
Tab. 3.	Limiting values	2	Tab. 8.	Abbreviations	7
Tab. 4.	Operating conditions	2	Tab. 9.	Revision history	7
Tab. 5.	Characteristics	3			

Figures

Fig. 1.	Typical application of IP4234CZ6	3	Fig. 3.	Temperature profiles for large and small components	7
Fig. 2.	Package outline SOT457 (TSOP6)	4			

Contents

1	Product profile	1
1.1	General description	1
1.2	Features	1
1.3	Applications	1
2	Pinning information	2
3	Ordering information	2
4	Limiting values	2
5	Recommended operating conditions	2
6	Characteristics	3
7	Application information	3
7.1	Universal serial bus 2.0 protection	3
8	Package outline	4
9	Soldering of SMD packages	5
9.1	Introduction to soldering	5
9.2	Wave and reflow soldering	5
9.3	Wave soldering	5
9.4	Reflow soldering	6
10	Abbreviations	7
11	Revision history	7
12	Legal information	8

Please be aware that important notices concerning this document and the product(s) described herein, have been included in section 'Legal information'.

© Nexperia B.V. 2018.

All rights reserved.

For more information, please visit: <http://www.nexperia.com>

For sales office addresses, please send an email to: salesaddresses@nexperia.com

Date of release: 31 January 2018

Document identifier: IP4234CZ6

Looking for pricing, stock, or lifecycle information?

Click below to explore more details on WIN SOURCE:

- [View IP4234CZ6,125 on WIN SOURCE](#)
- [NXP / Nexperia Information](#)

Optimize Your Supply Chain with WIN SOURCE Solutions

- ✓ Global Sourcing Solution
- ✓ Obsolete Management
- ✓ Cost Control Management
- ✓ Shortage Management
- ✓ Alternative Solution
- ✓ Excess Inventory Management