



THE DATASHEET OF MSR516NSR





Mallory Sonalert Products, Inc.

Part #: **MSR516NSR**

Sales Outline Drawing

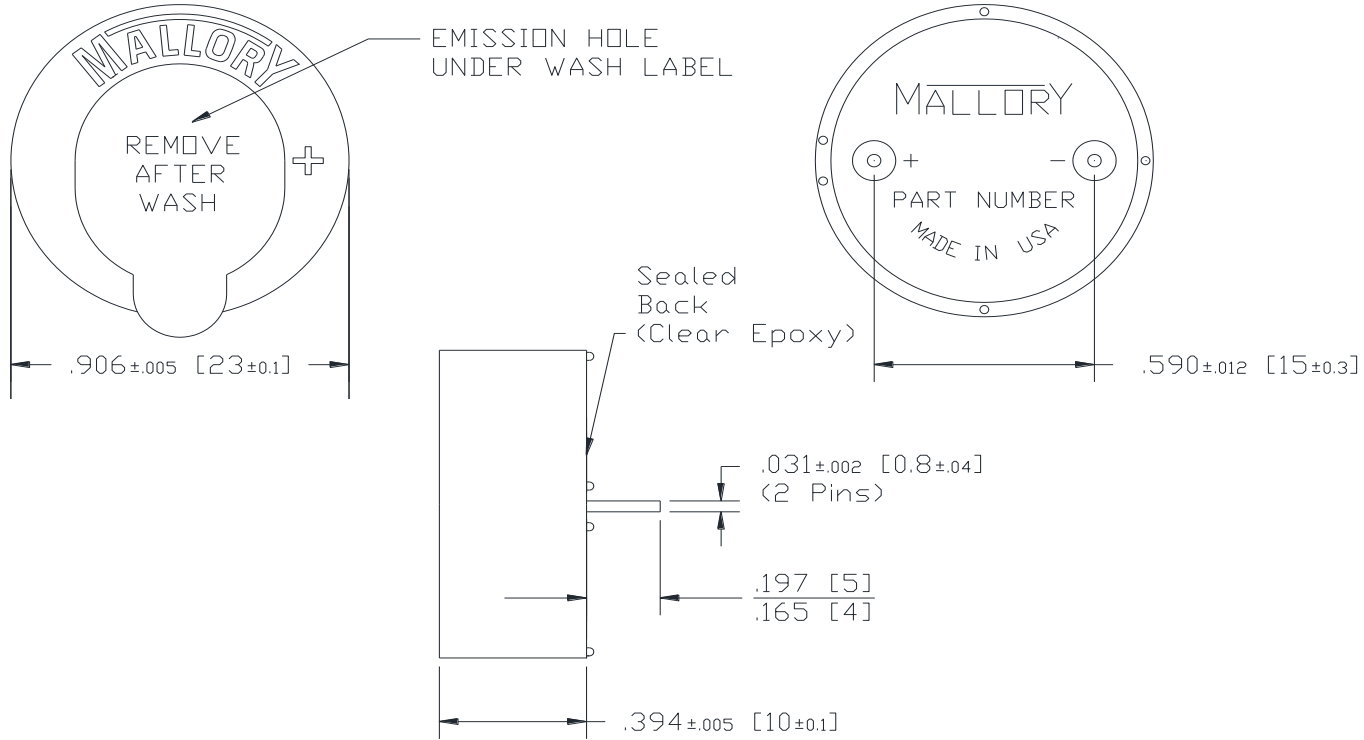
Revision: **J**

Specifications:

Sound Level Category	Loud
Mode of Operation	Continuous
Voltage Range	5 to 16 VDC
Rated Voltage	12VDC
Loudness @ 1 FT	98 Typical at Rated Voltage
Frequency	3900 ± 500 Hz
Current Draw	14mA at Rated Voltage
Housing Material	Valox (UL94V-0), Color Blue
Storage Temperature	-40° to +85° C
Operating Temperature	-40° to +85° C
Weight (Typical)	3.5g
Options	Please contact factory.

Dimensions: Inches (mm)

ROHS Compliant



NOTE A:
TERMINALS - .031" DIA. NICKEL/TIN COATED BRASS.

NOTE B:
MOUNTING- INSERT INTO PRINTED CIRCUIT BOARD AND HAND OR MACHINE SOLDER. UNITS ARE SUITABLE FOR WAVE SOLDERING AND AQUEOUS WASH WHEN THE EMISSION HOLE IS COVERED WITH A WASH LABEL. RECOMMENDED MAXIMUM TEMPERATURE AND TIME DURATION FOR WAVE SOLDERING IS +270°C AND 3 SECONDS RESPECTIVELY.

NOTE C:
PART NUMBER - FOR SEALED MODELS WHICH INCLUDE A WASH LABEL, THE PART NUMBER ENDS WITH THE SUFFIX "SR". THE LETTER "S" IS FOR ORDERING PURPOSES ONLY AND WILL NOT BE LISTED ON THE PART ITSELF.

Looking for pricing, stock, or lifecycle information?

Click below to explore more details on WIN SOURCE:

- ⊖ [View MSR516NSR on WIN SOURCE](#)
- ⊖ [Mallory Sonalert Products Inc. Information](#)

Optimize Your Supply Chain with WIN SOURCE Solutions

- ✓ Global Sourcing Solution
- ✓ Obsolete Management
- ✓ Cost Control Management
- ✓ Shortage Management
- ✓ Alternative Solution
- ✓ Excess Inventory Management