



**THE DATASHEET OF  
FP11121\_LISA2-O-CLIP**



## LISA2-O-CLIP

~45° x 20° oval beam optimized for CREE XP-E.  
6.8 mm high variant with clip installation.

### SPECIFICATION:

Dimensions	Ø 9.9
Height	6.8 mm
Fastening	glue, clips
ROHS compliant	yes ⓘ

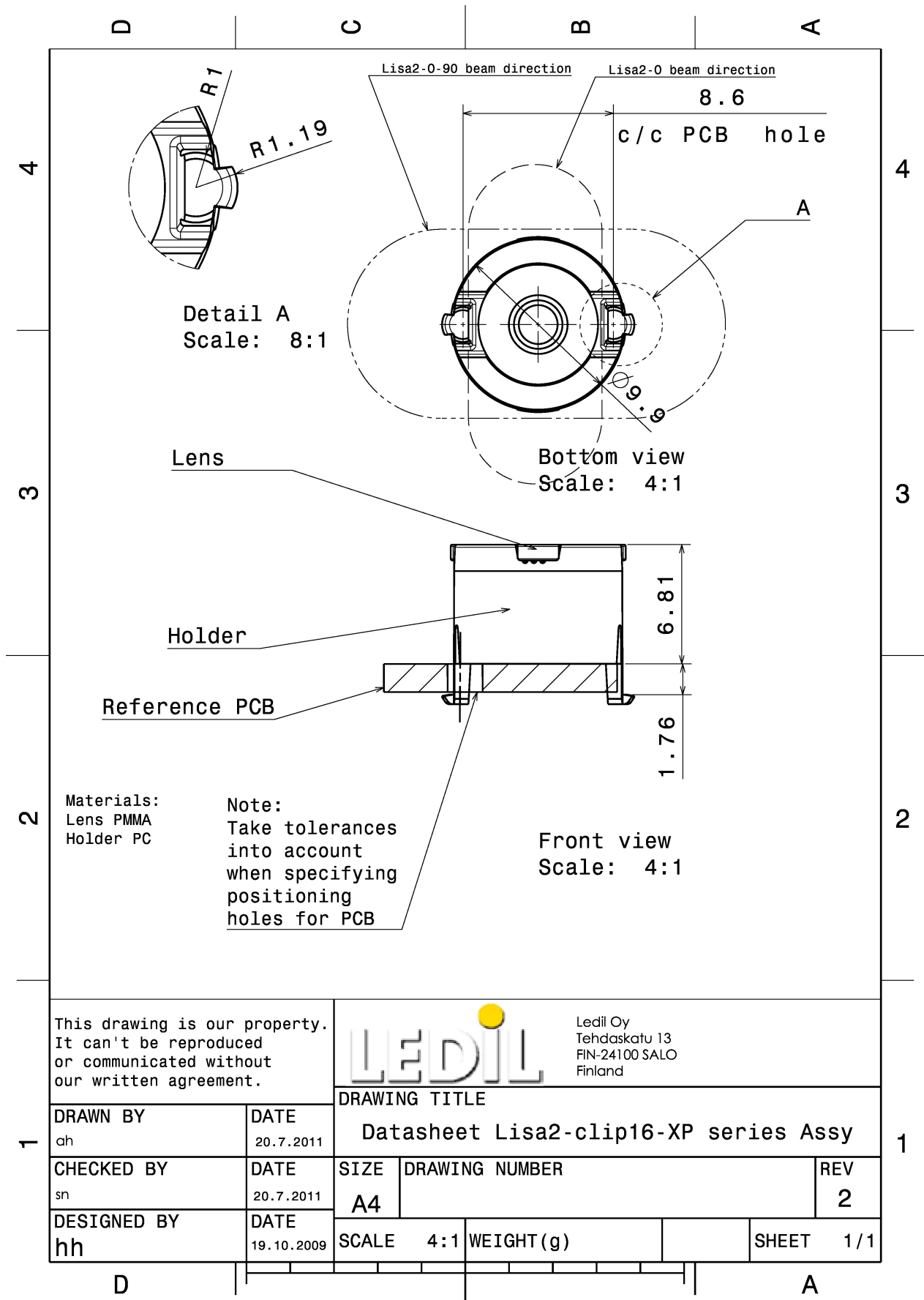


### MATERIALS:

Component	Type	Material	Colour	Finish	Length (mm)
LISA2-O-XP	Single lens	PMMA	clear		
LISA2-HLD-CLIP16-XP	Holder	PC	black		

### ORDERING INFORMATION:

Component		Qty in box	MOQ	MPQ	Box weight (kg)
FP11121_LISA2-O-CLIP	Single lens	2000	300	100	1.4
» Box size:					



This drawing is our property. It can't be reproduced or communicated without our written agreement.



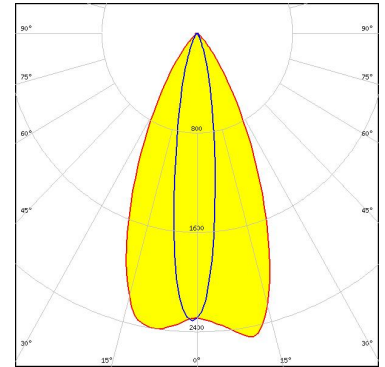
DRAWN BY ch		DATE 20.7.2011	DRAWING TITLE Datasheet Lisa2-clip16-XP series Assy		
CHECKED BY sn	DATE 20.7.2011	SIZE A4	DRAWING NUMBER		REV 2
DESIGNED BY hh	DATE 19.10.2009	SCALE 4:1	WEIGHT (g)	SHEET 1/1	

See also our general installation guide: [www.ledil.com/installation\\_guide](http://www.ledil.com/installation_guide)

#### OPTICAL RESULTS (MEASURED):



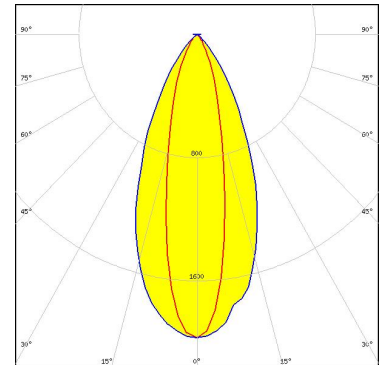
LED XP-E  
 FWHM / FWTM 18.0 + 48.0°  
 Efficiency 83 %  
 Peak intensity 2.3 cd/lm  
 LEDs/each optic 1  
 Light colour/type White  
 Required components:



Light distribution files



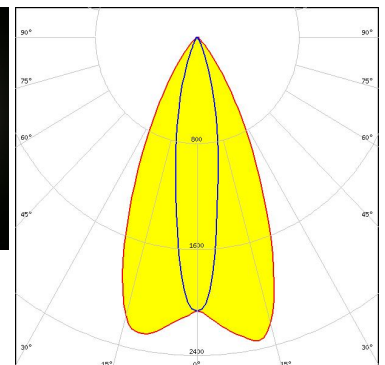
LED XP-G  
 FWHM / FWTM 46.0 + 24.0°  
 Efficiency 86 %  
 LEDs/each optic 1  
 Light colour/type White  
 Required components:



Light distribution files



LED LUXEON Z ES  
 FWHM / FWTM 50.0 + 19.0° / 78.0 + 44.0°  
 Efficiency 79 %  
 Peak intensity 2.3 cd/lm  
 LEDs/each optic 1  
 Light colour/type White  
 Required components:



Light distribution files

#### OPTICAL RESULTS (MEASURED):

**OSRAM**  
Opto Semiconductors

LED SFH 4170S  
FWHM / FWTM 50.0 + 12.0° / 75.0 + 36.0°  
Efficiency %  
LEDs/each optic 1  
Light colour/type IR  
Required components:

Light distribution files

**OSRAM**  
Opto Semiconductors

LED SFH 4180S  
FWHM / FWTM 11.0 + 51.0° / 33.0 + 74.0°  
Efficiency %  
LEDs/each optic 1  
Light colour/type IR  
Required components:

Light distribution files

**SHARP**

LED Double Dome (GM2BB)  
FWHM / FWTM 10.0 + 32.0°  
Efficiency %  
LEDs/each optic 1  
Light colour/type White  
Required components:

Light distribution files

### OPTICAL RESULTS (SIMULATED):

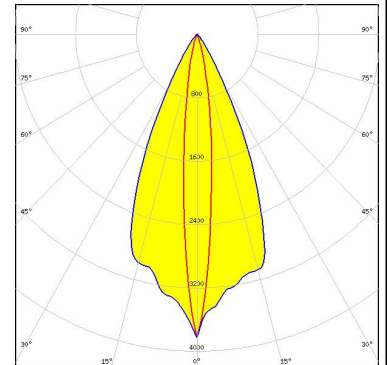


LED	XQ-E HD
FWHM / FWTM	13.0 + 40.0° / 32.0 + 69.0°
Efficiency	86 %
Peak intensity	3.5 cd/lm
LEDs/each optic	1
Light colour/type	White
Required components:	

Light distribution files



LED	XQ-E HI
FWHM / FWTM	11.0 + 46.0° / 28.0 + 68.0°
Efficiency	83 %
Peak intensity	3.8 cd/lm
LEDs/each optic	1
Light colour/type	White
Required components:	



Light distribution files

### GENERAL INFORMATION:

NOTE: The typical beam angle will be changed by different color, chip size and chip position tolerance. The typical total beam angle is the full angle measured where the luminous intensity is half of the peak value.

### MATERIALS:

As part of our continuous research and improvement processes, and to ensure the best possible quality and availability of our products, LEDiL reserves the right to change material grades without notice.

### PRODUCT DATA USER AGREEMENT AND DISCLAIMER:

The measured data in the provided downloadable LEDiL Product Datasheets and Mechanical 2D-Drawings is rounded and provided as reference for planning. LEDiL Oy's optical specifications have been verified by conducting performance testing of the products in accordance with the company's quality system. The reported data are averaged results of multiple measurements with typical variation. LEDiL Oy reserves the right to without prior notification make changes and improvements to its products.

LEDiL Oy assumes neither warranty, nor guarantee nor any other liability of any kind for the contents and correctness of the provided data. The provided data has been generated with highest diligence but the provided data may in reality not represent the complete possible variation range of all intrinsic parameters. Therefore, in certain cases a deviation from the provided data could occur.

LEDiL Oy reserves the right to undertake technical changes of its products without further notification which could lead to changes in the provided data. LEDiL Oy assumes no liability of any kind for the possible deviation from any provided data or any other damage resulting from the usage of the provided data.

The user agrees to this disclaimer and user agreement with the download or usage of the provided files.

#### LEDiL Oy

Joensuunkatu 7  
FI-24240 SALO  
Finland

#### LEDiL Inc.

228 West Page Street  
Suite D  
Sycamore IL 60178  
USA

#### Ledil Optics Technology (Shenzhen) Co., Ltd.

# 405 , Block B  
Casic Motor Building  
Shenzhen 518057  
P.R.CHINA

#### Local sales and technical support

[www.ledil.com/  
where\\_to\\_buy](http://www.ledil.com/where_to_buy)

#### Shipping locations

Poznan, Poland  
Hong Kong, China

#### Distribution Partners

[www.ledil.com/  
where\\_to\\_buy](http://www.ledil.com/where_to_buy)

## Looking for pricing, stock, or lifecycle information?

Click below to explore more details on WIN SOURCE:

 [View FP11121\\_LISA2-O-CLIP on WIN SOURCE](#)

 [Ledil Information](#)

## Optimize Your Supply Chain with WIN SOURCE Solutions

-  Global Sourcing Solution
-  Obsolete Management
-  Cost Control Management
-  Shortage Management
-  Alternative Solution
-  Excess Inventory Management