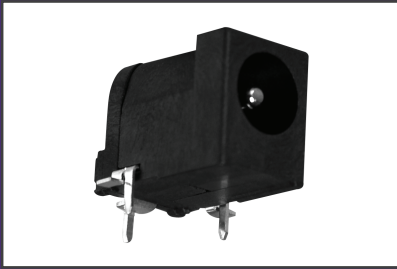




**THE DATASHEET OF
KLDX-SMT-0202-B**





DC POWER CONNECTORS: KLDX-SMT Series
Hybrid DC Power Jack

Product Features

- 2.0mm and 2.5mm
- Built-In DC On/Off Switch
- Laptop and Palm Computer, Portable Modems, Radar Detectors, and Other Portable Device Applications
- High Temperature Material For Reflow Compatibility
- Packaged in Tubes for Automated Assembly
- Optional Center Peg Available
- CSA/NRTL Certified File No. LR78160
- UL File No. E140125

Performance Specifications

Materials and Finish

- Plastic Housing:** High Temperature Thermoplastic, UL 94V-0 Rated, Black Color
- Center Pin:** Copper Alloy, Nickel Plated
- Contact #1: and #3:** Brass, Silver Plated
- Contact #2:** Phosphor Bronze, Silver Plated

Electrical Characteristics

Contact Resistance

- Before Durability Test**
- Between Terminals:** 30 milliohms Max.
- Plug to Contacts:** 50 milliohms Max.
- After Durability Test**
- Between Terminals:** 60 milliohms Max.
- Plug to Contacts:** 100 milliohms Max.

- Rated Voltage:** 24V DC
- Rated Current:** 3.5A
- Insulation Resistance:** 100 Megohms Min. at 500V DC
- Dielectric Withstanding Voltage:** 500V AC RMS for 1 Minute

Mechanical Characteristics

- Durability Test:** 5000 Cycles
- Insertion Force:** 0.3kg - 2.0kg
- Extraction Force:** 0.3kg - 2.0kg
- Operating Temperature:** -25°C to +85°C

2D Drawing	IGES	STEP	3D PDF
Solder Profile	CofC RoHS Compliant	CofC REACH Compliant	UL Plastic File
Certificate of Origin	Check Stock	Request a Sample	Send Us An Email

Generated Part Number



Part Number Builder

-
 Series Diameter Peg Option Packaging Option

Series

KLDX-SMT-0202 - Hybrid Mount DC Power Jack

Diameter

- A - 2.0mm Center Pin Diameter
- B - 2.5mm Center Pin Diameter

Center Peg Option

- Blank - No Peg
- P - With Peg

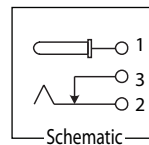
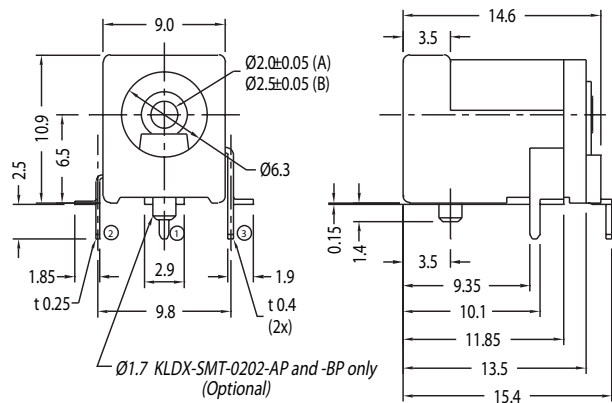
Packaging Option

- Blank - Bulk
- TR - Tape and Reel

Contact Kycon for Other Options

KLDX-SMT Series

Dimensions in mm



Looking for pricing, stock, or lifecycle information?

Click below to explore more details on WIN SOURCE:

 [View KLDX-SMT-0202-B on WIN SOURCE](#)

 [Kycon, Inc. Information](#)

Optimize Your Supply Chain with WIN SOURCE Solutions

-  Global Sourcing Solution
-  Obsolete Management
-  Cost Control Management
-  Shortage Management
-  Alternative Solution
-  Excess Inventory Management