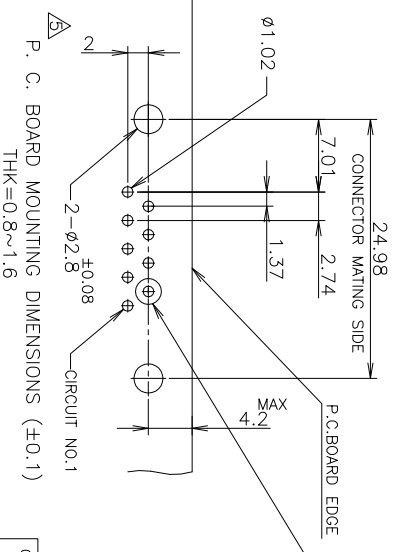
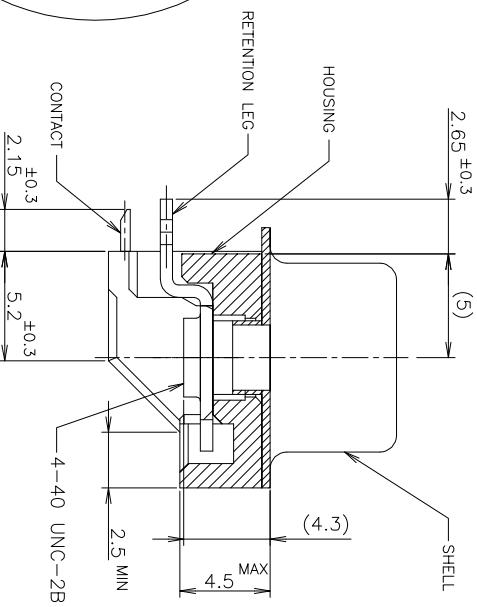
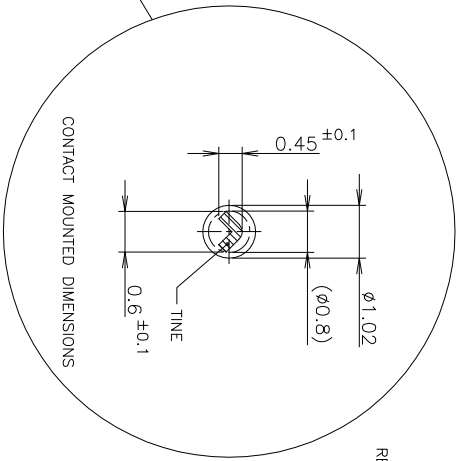
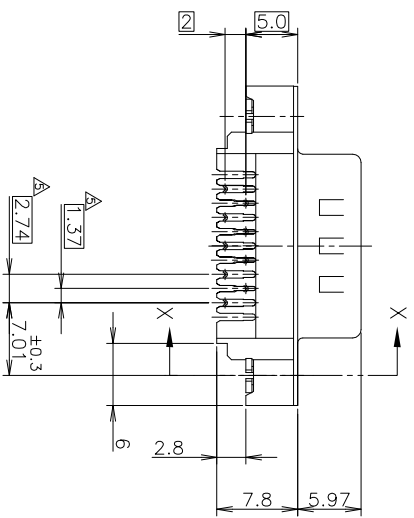
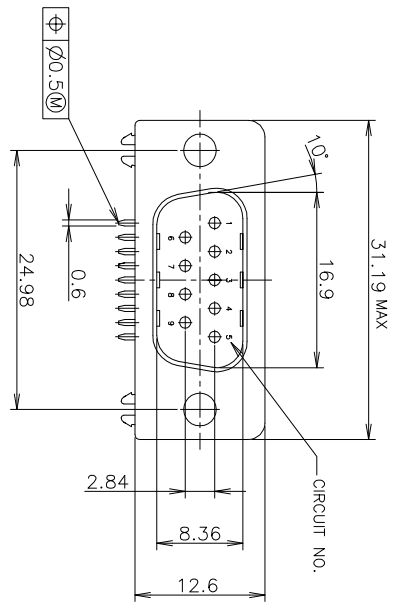




THE DATASHEET OF
5177597-9



1	REVISIONS	DATE	DMN	APRD
2	RELEASED (ECR-05-001155)	5APR95	L.Z	I.E



1 THESE PRODUCTS CONFORM AMP SPEC. 108-5400.

△ MATERIAL
 HOUSING: THERMOPLASTEC
 SHELL: CARBON STEEL
 CONTACT: COPPER ALLOY
 RETENTION LEG: COPPER ALLOY

△ FINISH
 CONTACT: GOLD PL.
 SHELL: TIN PL.
 RETENTION LEG: TIN PL.

4 SCREWLOCK OR SCREW MUST BE ASSEMBLED BEFORE RECEPTACLE CONNECTOR MATTING. (SCREW ON TORQUE: 5kg-cm(MAX))

△ P. C. BOARD MOUNTING DIMENSION CONFORM MIL SPEC. (MS-18273)

Au: 0.00076 MIN.	-9
Au: 0.00038 MIN.	-6
Au: FLASH	5177597-3
FINISH	P/N

THIS DRAWING IS A CONTROLLED DOCUMENT.

DMN	LEO ZHOU	5APR95
CHK	STEVEN YAO	5APR95
APRD	LENDOMOTO	5APR95

DMN: LEO ZHOU
 CHK: STEVEN YAO
 APRD: LENDOMOTO

tyco
Electronics
 Tyco Electronics AMP K.K.
 Kawasaki, Japan

PLUG ASSY RIGHT ANGLE SIZE 1, 9P
 LOW PROFILE STD-D P.C.B t=0.8~1.6 DIP
 AMP/PLMITE III-J ULTRA SLIM HD-20

SIZE	A3
QAGE CODE	00779
DRAWING NO	5177597

SCALE: NTS SHEET: 1 OF 1 REV: 0

GENERAL TOLERANCE
 10 ≥ : ±0.2
 30 ≥ > 10 : ±0.25
 100 ≥ > 30 : ±0.3
 ANGLES : ±3°

DIMENSIONS:	mm
TOLERANCES UNLESS OTHERWISE SPECIFIED:	
0 P.L.C.	±
1 P.L.C.	±
2 P.L.C.	±
3 P.L.C.	±
4 P.L.C.	±
ANGLES	±

MATERIAL	SEE NOTE
FINISH	SEE NOTE

CUSTOMER DRAWING	
------------------	--

Looking for pricing, stock, or lifecycle information?

Click below to explore more details on WIN SOURCE:

 [View 5177597-9 on WIN SOURCE](#)

 [TE Connectivity](#) Information

Optimize Your Supply Chain with WIN SOURCE Solutions

-  Global Sourcing Solution
-  Obsolete Management
-  Cost Control Management
-  Shortage Management
-  Alternative Solution
-  Excess Inventory Management