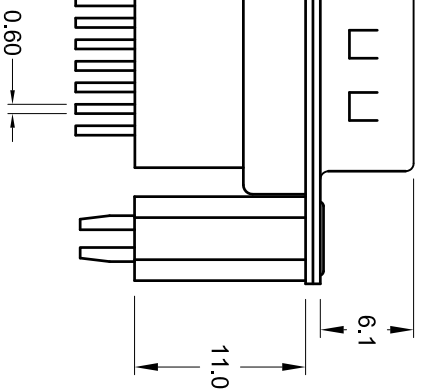
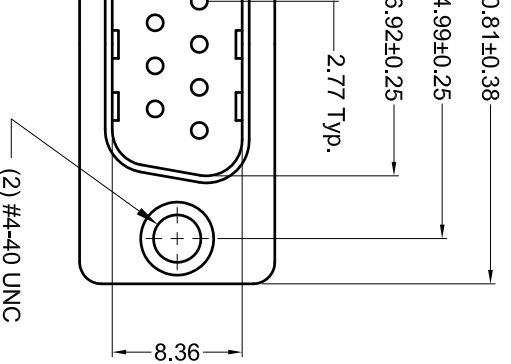




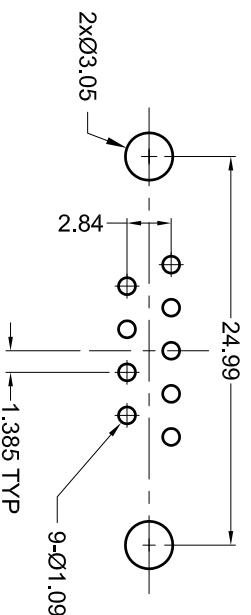
**THE DATASHEET OF
K88X-ED-9P-BR**





Finish	Contact Area Plating Finish
Option	Gold Flash (standard option)
Option	15u" Gold (15 option)
Option	30u" Gold (30 option)

V. BY	CHK. BY	DRAWN BY	DATE
Aguirre	H. MA	R. Aguirre	02/14/06
LLX.H.	H. MA		UNITS
Seirraio	C. Furumasa		mm



Recommended PCB Layout

Material And Finish

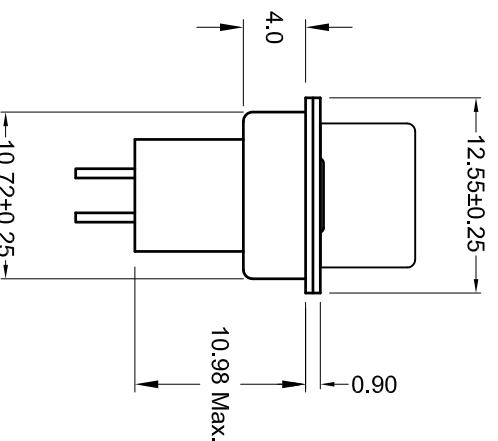
Shell: Steel, Nickel plated
 Insulator: PBT with glass-fiber reinforcement,
 UL 94V-0 rated,
 color-black
 Contact Material:
 Plug - Brass

Plating Options:
 (Standard) Gold flash on mating end, tin on termination end with nickel underplate

- 15: 15 u" Gold on mating end tin on termination end with nickel underplate
- 30: 30 u" Gold on mating end tin on termination end with nickel underplate

Electrical Specifications

Rated Current: 2A
 Rated Voltage: 30V RMS
 Dielectric Withstanding Voltage: 500 V (rms) AC for 1 minute
 Insulation Resistance: more than 1000 Megohm at 500 V DC
 Contact Resistance: 13 milliohm max.
 Temperature Rating: -55°C to +105°C



Boardlock not shown
 in this view



LF78160
 US

Tolerances	XX ± 0.25
	XXX ± 0.15
	Unless Stated
	Otherwise

K88X-ED-9P-BR

D-Sub, Vertical, 9 Pin Male, RoHS Compliant, RoHS Compliant

Formed Contacts, w/ Boardlocks



Looking for pricing, stock, or lifecycle information?

Click below to explore more details on WIN SOURCE:

 [View K88X-ED-9P-BR on WIN SOURCE](#)

 [Kycon, Inc. Information](#)

Optimize Your Supply Chain with WIN SOURCE Solutions

-  Global Sourcing Solution
-  Obsolete Management
-  Cost Control Management
-  Shortage Management
-  Alternative Solution
-  Excess Inventory Management