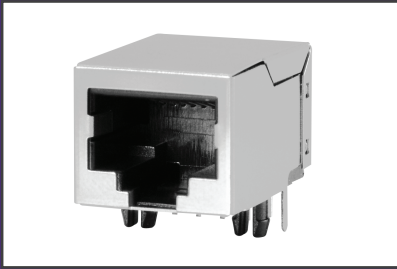




**THE DATASHEET OF  
GSX-NS-88-3.68**





## MODULAR JACKS AND PLUGS: GSX Series

### Right Angle Modular Jack

#### Product Features

- 0.515" Height
- Snap in Board Retention Tabs
- Available with Ground Tabs
- Available Fully Shielded for Category 5 Applications
- CSA/NRTL Certified File No. LR78160
- UL File No. E134345

#### Performance Specifications

##### Materials and Finish

- Housing Material**  
PBT Thermoplastic, Glass Filled, UL 94V-0 Rated, Black Color
- Shield Material**  
Copper Alloy, Nickel Plated
- Contact Material**  
Phosphor Bronze

#### Electrical Characteristics

- Insulation Resistance**  
500 Megohms Min.
- Dielectric Withstanding Voltage**  
1000V AC RMS for 1 Minute
- Contact Resistance**  
20 milliohms Max.
- Current Rating**  
1.5A
- Voltage Rating**  
125V DC
- Operating Temperature**  
-40°C to +85°C
- Durability Rating**  
750 Mating Cycles Min.

2D Drawing	IGES	STEP	3D PDF
Solder Profile	CofC RoHS Compliant	CofC REACH Compliant	UL Plastic File
Certificate of Origin	Check Stock	Request a Sample	Send Us An Email

#### Generated Part Number



#### Part Number Builder

<input type="text"/>	-	<input type="text"/>	<input type="text"/>	<input type="text"/>	<input type="text"/>
Series		Shield Option	No. of Positions & Contacts	Ground Pin Spacing	Plating Option

#### Series

GSX - Right Angle Jack, PCB Mount

#### Shield Options

- N - Non-Shielded (only with No Ground Pin Spacing)
- NS - Fully Shielded
- NS2 - Fully Shielded with Ground Tabs
- NS7 - Fully Shielded with Top & Side Ground Tabs

#### Number of Positions / Contacts

88 - 8 Positions / 8 Contacts

#### Ground Pin Spacing

- 3.05 - 3.05mm Ground Pin Spacing
- 3.68 - 3.68mm Ground Pin Spacing
- 4.57 - 4.57mm Ground Pin Spacing

#### Plating Option

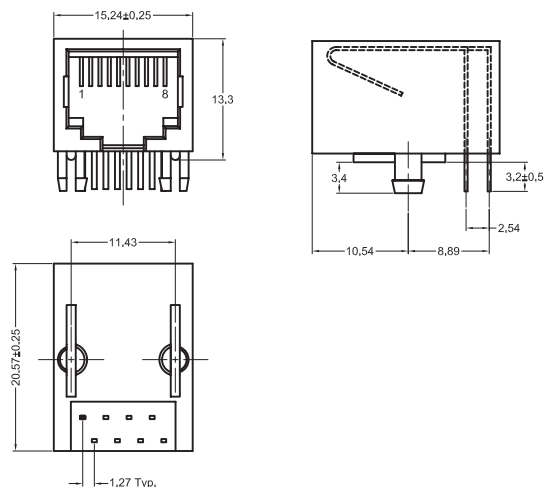
- Blank - Standard
- 30 - 30µ" Gold Plating (only with fully Shielded and Ground Pin Spacing )
- 50 - 50µ" Gold Plating

Contact Kycon for \*High Temperature and Other Options

#### GSX Series

Dimensions in mm



#### GSX-N-88



\*Mins may apply

## Looking for pricing, stock, or lifecycle information?

Click below to explore more details on WIN SOURCE:

-  [View GSX-NS-88-3.68 on WIN SOURCE](#)
-  [Kycon, Inc. Information](#)

## Optimize Your Supply Chain with WIN SOURCE Solutions

-  Global Sourcing Solution
-  Obsolete Management
-  Cost Control Management
-  Shortage Management
-  Alternative Solution
-  Excess Inventory Management