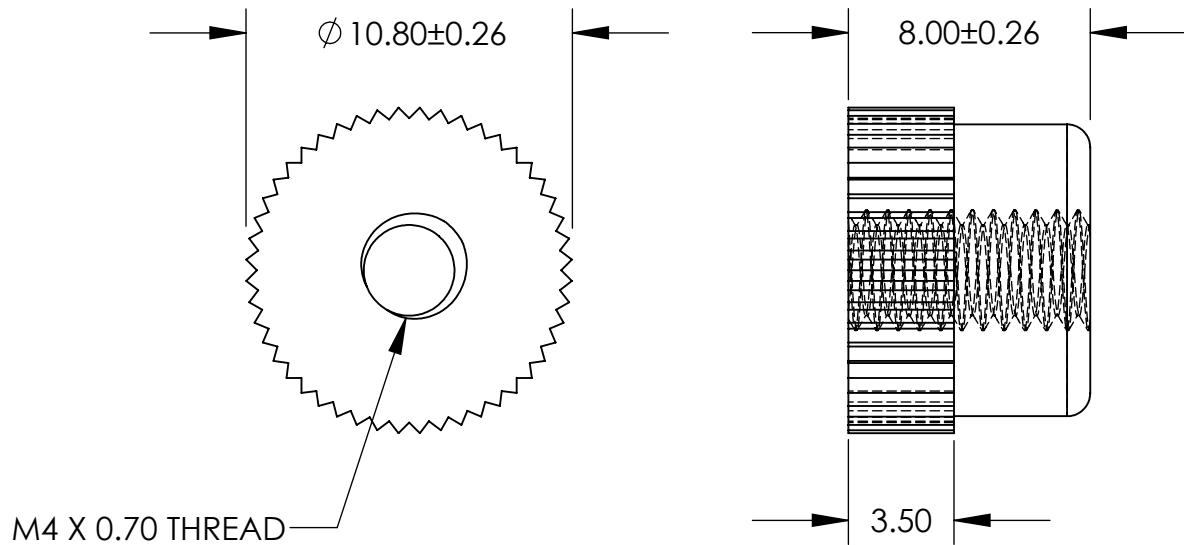




THE DATASHEET OF
08M040070TN



UNCONTROLLED DOCUMENT



ALL DIMENSIONS ARE IN MILLIMETERS
TOLERANCES UNLESS NOTED

- $\pm .13$ MM ON DIMENSIONS THRU 15.88MM
- $\pm .20$ MM ON DIMENSIONS 15.89MM THRU 25.41MM
- $\pm .25$ MM ON DIMENSIONS 25.42MM THRU 38.10MM
- $\pm .38$ MM ON DIMENSIONS LARGER THAN 38.10MM

**WE RESERVE THE RIGHT
TO DISCONTINUE ITEMS,
CHANGE SPECIFICATIONS
OR DESIGN AT ANY TIME
WITHOUT NOTICE AND
WITHOUT INCURRING
ANY OBLIGATIONS**

PROPERTY OF
MICRO PLASTICS INC.

CATALOG DRAWING
METRIC KNURLED THUMB NUT
MICRO P/N 08M040070TN
DWG. # 08M040070TN
FILE SERVER\ENG\WEB

MATERIAL: 6/6 NYLON

DATE

SCALE
4:1

TA

Looking for pricing, stock, or lifecycle information?

Click below to explore more details on WIN SOURCE:

-  [View 08M040070TN on WIN SOURCE](#)
-  [Essentra Components](#) Information

Optimize Your Supply Chain with WIN SOURCE Solutions

-  Global Sourcing Solution
-  Obsolete Management
-  Cost Control Management
-  Shortage Management
-  Alternative Solution
-  Excess Inventory Management