



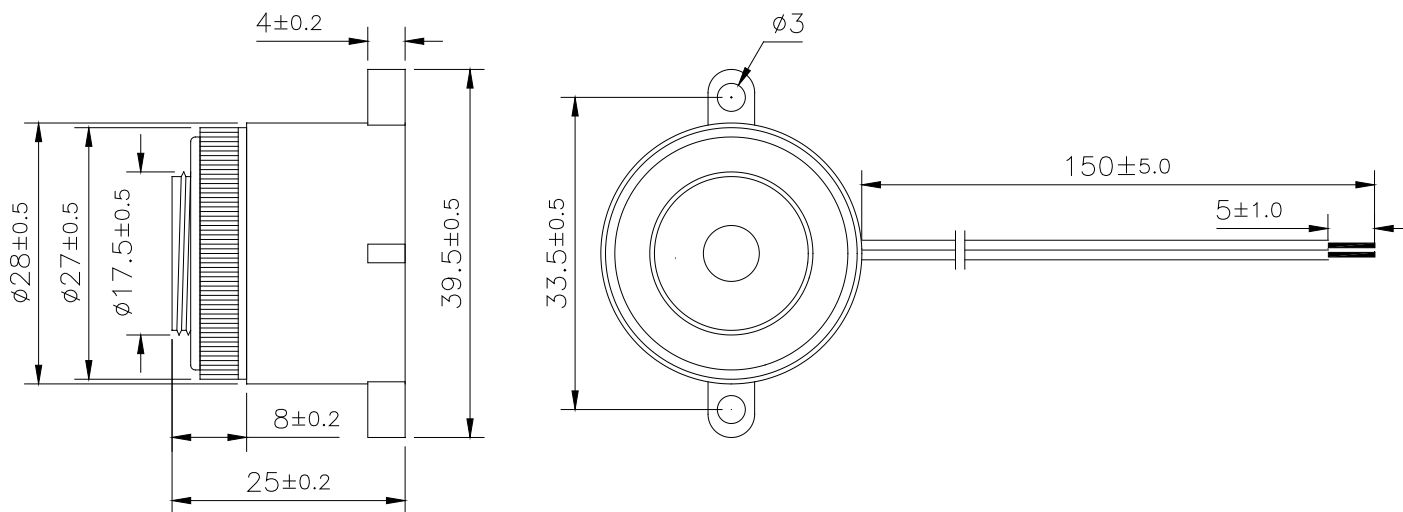
**THE DATASHEET OF
PK-20A35EW-24VQ**



Sales Outline DrawingRevision **C**



**May not be suitable for all Medical and Aerospace applications.
Contact Mallory Sonalert to discuss your application.**

| | |
|-------------------------------|---|
| Oscillation Frequency (Hz) | 3500 ± 500 |
| Operating Voltage (Vdc) | 12 ~ 28 |
| Rated Voltage (Vdc) | 24 |
| Current Consumption (mA/max) | 20 at Rated Voltage |
| Sound Pressure Level (dB/min) | 95 at 30cm at Rated Voltage |
| Tone/Pulse Rate | Constant |
| Operating Temperature (°C) | -20 ~ +70 |
| Storage Temperature (°C) | -30 ~ +80 |
| Housing | ABS 757 plastic resin (Color: Black) |
| Lead Wires | 28 AWG |
| Weight (Grams) | 8.4 |
| Mounting - Panel | Use 20-22 mm hole. |
| Mounting - Flange | Use 33.5 mm spaced 1/8" max hole. |
| Options | For other options contact factory |

Dimensions: (units: mm)**ROHS Compliant**

Looking for pricing, stock, or lifecycle information?

Click below to explore more details on WIN SOURCE:

-  [View PK-20A35EW-24VQ on WIN SOURCE](#)
-  [Mallory Sonalert Products Inc. Information](#)

Optimize Your Supply Chain with WIN SOURCE Solutions

-  Global Sourcing Solution
-  Obsolete Management
-  Cost Control Management
-  Shortage Management
-  Alternative Solution
-  Excess Inventory Management