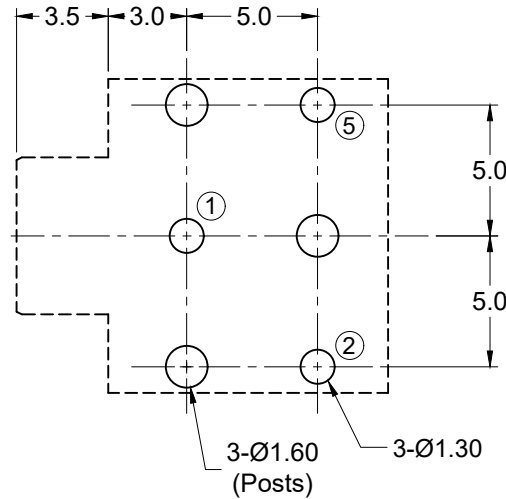
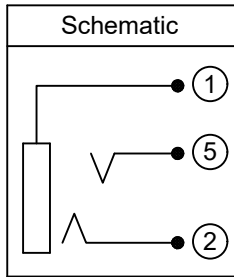
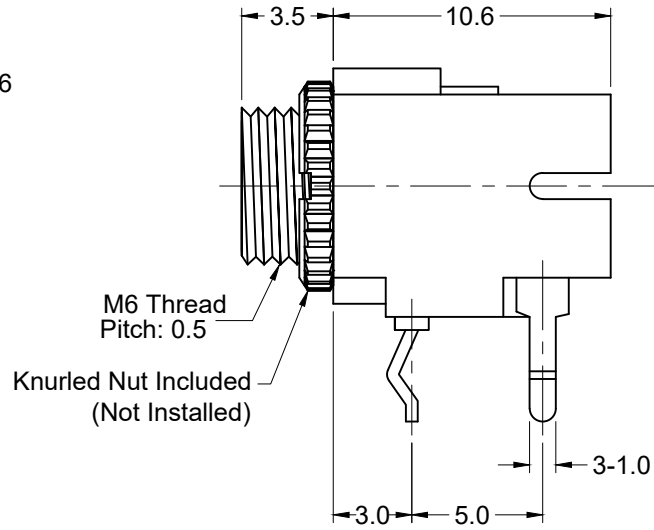
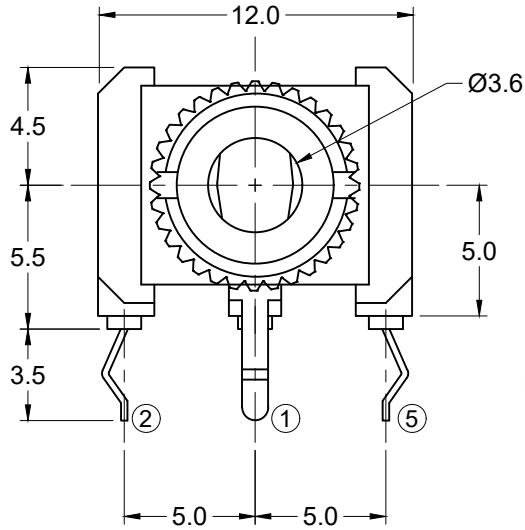




**THE DATASHEET OF  
STX-3100-3C**





Recommended PCB Layout  
(Bottom View)

**Materials and Finish**

Housing: PBT Thermoplastic  
15% Glass Filled, Black Color  
UL 94V-0 Rated

Terminals:  
Pin #1: Brass, Nickel Plated  
Pin #5 & Pin #2:  
Phosphor Bronze, Matte Tin Plated

Bushing: Brass, Nickel Plated

**Electrical Characteristics**

Rated Voltage: DC 24 V

Rated Current: 3.0 A

Contact Resistance:  
Before Test: 50mohms Max.  
After Durability Test: 100 mohms Max.

Insulation Resistance:  
More Than 100 Megohms  
At 500V DC

Dielectric Strength:  
500V AC RMS for 1 Minute

Operating Temp: -25°C to +85°C

**Mechanical Characteristics**

Insertion Force: 0.3kg - 3.0kg

Extraction Force: 0.3kg - 3.0kg

Durability: 5000 Mating Cycles Min.

**Tolerances**

X.X ± 0.3  
X.XX ± 0.15  
Unless Stated  
Otherwise



REV.	DATE	DESCRIPTION	REV. BY	CHK. BY	DRAWN BY	DATE
A1	9/6/05	New Drawing	R. Aguirre	H. MA	R. Aguirre	07/11/05
A2	11/8/06	ECO 06-046	R. Aguirre	H. MA		
A3	07/14/11	ECO #11-033	S. Vien	P. DalCanto		
A4	08/14/18	Update Address	D. Shehan	N/A		
A5	04/22/19	ECO #19-035	C. Kelleher	D. Shehan		

**STX-3100-3C**

Thru-Hole 3.5mm Stereo Jack, RoHS Compliant

3 pos., No Switch, Threaded Barrel



## Looking for pricing, stock, or lifecycle information?

Click below to explore more details on WIN SOURCE:

 [View STX-3100-3C on WIN SOURCE](#)

 [Kycon, Inc. Information](#)

## Optimize Your Supply Chain with WIN SOURCE Solutions

-  Global Sourcing Solution
-  Obsolete Management
-  Cost Control Management
-  Shortage Management
-  Alternative Solution
-  Excess Inventory Management