



THE DATASHEET OF INA337AIDGKT





Wide-Temperature, Precision INSTRUMENTATION AMPLIFIER

FEATURES

- **PRECISION**
 - LOW OFFSET: 100µV (max)
 - LOW OFFSET DRIFT: 0.4µV/°C (max)
 - EXCELLENT LONG-TERM STABILITY
 - VERY-LOW 1/f NOISE
- **SMALL SIZE**
 - microPACKAGE: MSOP-8, MSOP-10
- **LOW COST**

APPLICATIONS

- **LOW-LEVEL TRANSDUCER AMPLIFIER FOR BRIDGES, LOAD CELLS, THERMOCOUPLES**
- **WIDE DYNAMIC RANGE SENSOR MEASUREMENTS**
- **HIGH-RESOLUTION TEST SYSTEMS**
- **WEIGH SCALES**
- **MULTI-CHANNEL DATA ACQUISITION SYSTEMS**
- **MEDICAL INSTRUMENTATION**
- **AUTOMOTIVE APPLICATIONS**
- **GENERAL-PURPOSE**

DESCRIPTION

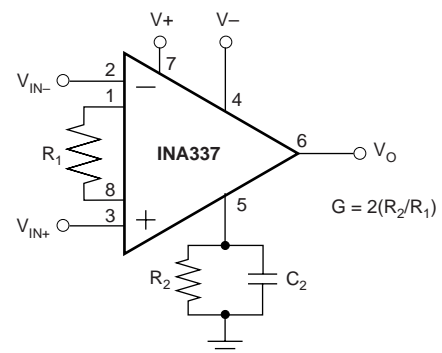
The INA337 and INA338 (with shutdown) are high temperature, high-performance, low-cost, precision instrumentation amplifiers. They are true single-supply instrumentation amplifiers with very-low DC errors and input common-mode ranges that extends beyond the positive and approaches the negative rail. These features make them suitable for applications ranging from general-purpose to high-accuracy.

Excellent long-term stability and very low 1/f noise assure low offset voltage and drift throughout the life of the product.

The INA337 (without shutdown) comes in the MSOP-8 package. The INA338 (with shutdown) is offered in MSOP-10. Both are specified over the temperature range, -40°C to +125°C.

INA337 AND INA338 RELATED PRODUCTS

PRODUCT	FEATURES
INA326	Precision, Rail-to-Rail I/O, 2.4mA I _Q
INA114	50µV V _{OS} , 0.5nA I _B , 115dB CMR, 3mA I _O , 0.25µV/°C drift
INA118	50µV V _{OS} , 1nA I _B , 120dB CMR, 385µA I _O , 0.5µV/°C drift
INA122	250µV V _{OS} , -10nA I _B , 85µA I _O , Rail-to-Rail Output, 3µV/°C drift
INA128	50µV V _{OS} , 2nA I _B , 125dB CMR, 750µA I _O , 0.5µV/°C drift
INA321	500µV V _{OS} , 0.5pA I _B , 94dB CMRR, 60µA I _O , Rail-to-Rail Output



Please be aware that an important notice concerning availability, standard warranty, and use in critical applications of Texas Instruments semiconductor products and disclaimers thereto appears at the end of this data sheet.

PACKAGE/ORDERING INFORMATION

PRODUCT	PACKAGE-LEAD	PACKAGE DESIGNATOR ⁽¹⁾	SPECIFIED TEMPERATURE RANGE	PACKAGE MARKING	ORDERING NUMBER	TRANSPORT MEDIA, QUANTITY
INA337	MSOP-8	DGK	-40°C to +125°C	BIM	INA337AIDGKT	Tape and Reel, 250
"	"	"	"	"	INA337AIDGKR	Tape and Reel, 2500
INA338	MSOP-10	DGS	-40°C to +125°C	BIL	INA338AIDGST	Tape and Reel, 250
"	"	"	"	"	INA338AIDGSR	Tape and Reel, 2500

NOTE: (1) For the most current specifications and package information, refer to our web site at www.ti.com.

ABSOLUTE MAXIMUM RATINGS⁽¹⁾

Supply Voltage	+5.5V
Signal Input Terminals: Voltage ⁽²⁾	-0.5V to (V+) + 0.5V
Current ⁽²⁾	±10mA
Output Short-Circuit	Continuous
Operating Temperature Range	-40°C to +150°C
Storage Temperature Range	-65°C to +150°C
Junction Temperature	+150°C
Lead Temperature (soldering, 10s)	+300°C

NOTES: (1) Stresses above these ratings may cause permanent damage. Exposure to absolute maximum conditions for extended periods may degrade device reliability. These are stress ratings only, and functional operation of the device at these or any other conditions beyond those specified is not implied. (2) Input terminals are diode clamped to the power-supply rails. Input signals that can swing more than 0.5V beyond the supply rails should be current limited to 10mA or less.

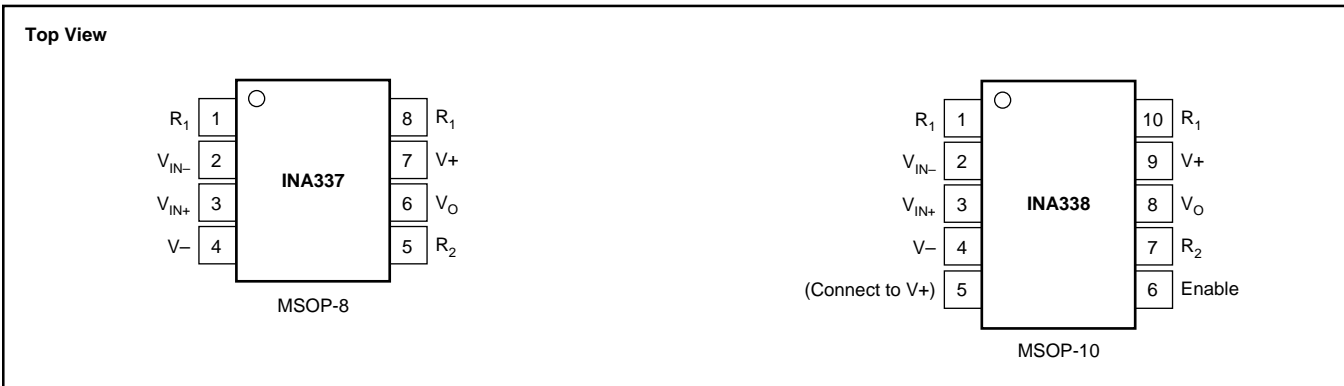


ELECTROSTATIC DISCHARGE SENSITIVITY

This integrated circuit can be damaged by ESD. Texas Instruments recommends that all integrated circuits be handled with appropriate precautions. Failure to observe proper handling and installation procedures can cause damage.

ESD damage can range from subtle performance degradation to complete device failure. Precision integrated circuits may be more susceptible to damage because very small parametric changes could cause the device not to meet its published specifications.

PIN CONFIGURATION



ELECTRICAL CHARACTERISTICS: $V_S = +2.7V$ to $+5.5V$

BOLDFACE limits apply over the specified temperature range, $T_A = -40^\circ\text{C}$ to $+125^\circ\text{C}$

At $T_A = +25^\circ\text{C}$, $R_L = 10\text{k}\Omega$, $G = 100$ ($R_1 = 2\text{k}\Omega$, $R_2 = 100\text{k}\Omega$), external gain set resistors, and $I_{A\text{COMMON}} = V_S/2$, with external equivalent filter corner of 1kHz filters, unless otherwise noted.

PARAMETER	CONDITION	INA337AIDGK, INA338AIDGS			UNITS
		MIN	TYP	MAX	
INPUT					
Offset Voltage, RTI Over Temperature vs Temperature vs Power Supply Long-Term Stability Input Impedance, Differential Common-Mode	V_{OS} $V_S = +5V, V_{CM} = V_S/2$ dV_{OS}/dT PSR $V_S = +2.7V$ to $+5.5V, V_{CM} = V_S/2$		± 20 ± 0.1 ± 3 See Note (1) $10^{10} \parallel 2$ $10^{10} \parallel 14$	± 100 ± 140 ± 0.4	μV μV $\mu V/^\circ\text{C}$ $\mu V/V$
Input Voltage Range Safe Input Voltage Common-Mode Rejection Over Temperature	CMR $V_S = +5V, V_{CM} = (V-) + 0.25V$ to $(V+) + 0.1V$	$(V-) + 0.25$ $(V-) - 0.5$ 106 100	120	$(V+) + 0.1$ $(V+) + 0.5$	$\Omega \parallel \text{pF}$ $\Omega \parallel \text{pF}$ V V dB dB
INPUT BIAS CURRENT					
Bias Current vs Temperature	I_B $V_{CM} = V_S/2$ $V_S = +5V$		± 0.2	± 2	nA
Offset Current	I_{OS} $V_S = +5V$		See Typical Characteristics		nA
NOISE					
Voltage Noise, RTI f = 10Hz f = 100Hz f = 1kHz f = 0.01Hz to 10Hz	$R_S = 0\Omega, G = 100, R_1 = 2\text{k}\Omega, R_2 = 100\text{k}\Omega$		33 33 33 0.8		$\text{nV}/\sqrt{\text{Hz}}$ $\text{nV}/\sqrt{\text{Hz}}$ $\text{nV}/\sqrt{\text{Hz}}$ $\mu\text{Vp-p}$
Voltage Noise, RTI f = 10Hz f = 100Hz f = 1kHz f = 0.01Hz to 10Hz	$R_S = 0\Omega, G = 10, R_1 = 20\text{k}\Omega, R_2 = 100\text{k}\Omega$		120 97 97 4		$\text{nV}/\sqrt{\text{Hz}}$ $\text{nV}/\sqrt{\text{Hz}}$ $\text{nV}/\sqrt{\text{Hz}}$ $\mu\text{Vp-p}$
Current Noise, RTI f = 1kHz f = 0.01Hz to 10Hz			0.15 4.2		$\text{pA}/\sqrt{\text{Hz}}$ pAp-p
Output Ripple, V_O Filtered ⁽²⁾			See Applications Information		
GAIN					
Gain Equation Range of Gain Gain Error ⁽³⁾ vs Temperature Nonlinearity	$G = 10, 100, V_S = +5V, V_O = 0.25V$ to $4.925V$ $G = 10, 100, V_S = +5V, V_O = 0.25V$ to $4.925V$ $G = 10, 100, V_S = +5V, V_O = 0.25V$ to $4.925V$	< 0.1	$G = 2(R_2/R_1)$ 0.08 ± 6 ± 0.003	> 10000 ± 0.2 ± 25 ± 0.01	V/V % ppm/ $^\circ\text{C}$ % of FS
OUTPUT					
Voltage Output Swing from Positive Rail Over Temperature	$R_L = 10\text{k}\Omega, V_S = 5V$	$(V+) - 0.075$ $(V+) - 0.075$	$(V+) - 0.01$		V V
Voltage Output Swing from Negative Rail Over Temperature	$R_L = 10\text{k}\Omega, V_S = 5V$	$(V-) + 0.25$ $(V-) + 0.25$	$(V+) + 0.01$		V V
Capacitive Load Drive Short-Circuit Current	I_{SC}		500 ± 25		pF mA
INTERNAL OSCILLATOR					
Frequency of Auto-Correction Accuracy			90 ± 20		kHz %
FREQUENCY RESPONSE					
Bandwidth ⁽⁴⁾ , -3dB Slew Rate ⁽⁴⁾ Settling Time ⁽⁴⁾ , 0.1% 0.01% 0.1% 0.01% Overload Recovery ⁽⁴⁾	BW SR t_s 1kHz Filter, $G = 1$ to $1k, V_O = 2V$ step, $C_L = 100\text{pF}$ 10kHz Filter, $G = 1$ to $1k, V_O = 2V$ step, $C_L = 100\text{pF}$ 1kHz Filter, 50% Output Overload, $G = 1$ to $1k$ 10kHz Filter, 50% Output Overload, $G = 1$ to $1k$	$G = 1$ to $1k$ $V_S = 5V$, All Gains, $C_L = 100\text{pF}$	1 Filter Limited 0.95 1.3 130 160 30 5		kHz ms ms μs μs μs μs

ELECTRICAL CHARACTERISTICS: $V_S = +2.7V$ to $+5.5V$ (Cont.)

BOLDFACE limits apply over the specified temperature range, $T_A = -40^\circ\text{C}$ to $+125^\circ\text{C}$

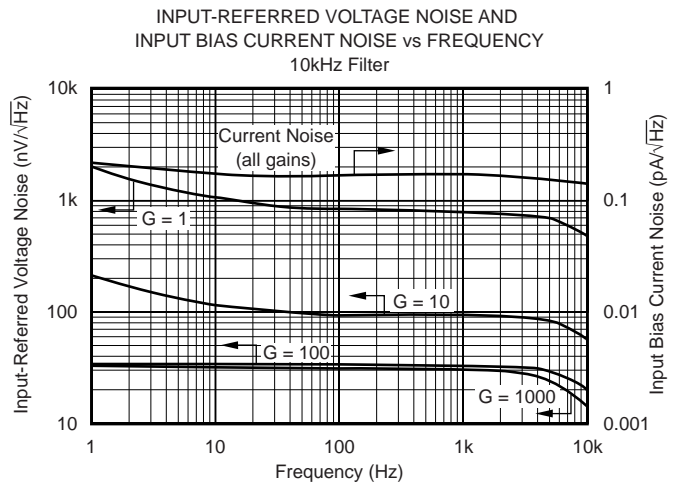
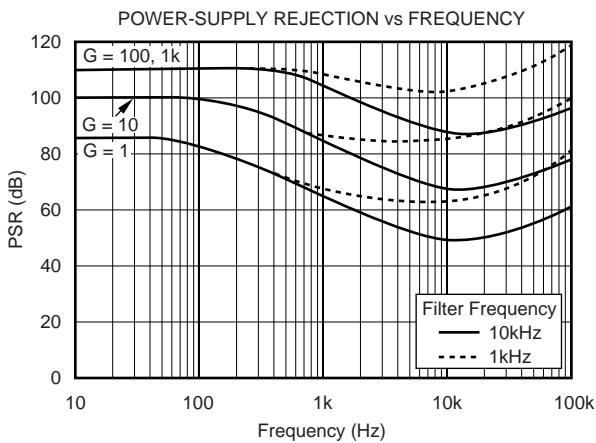
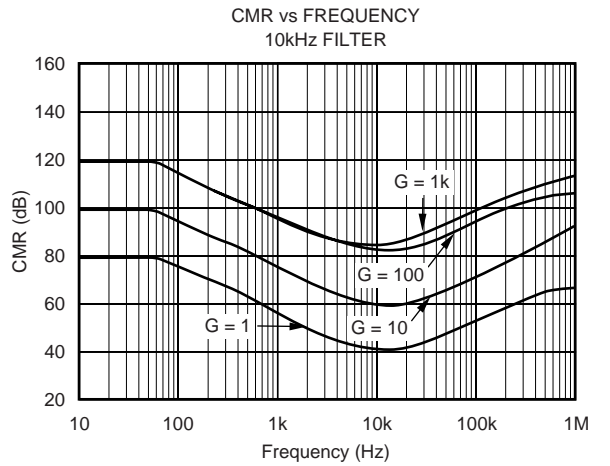
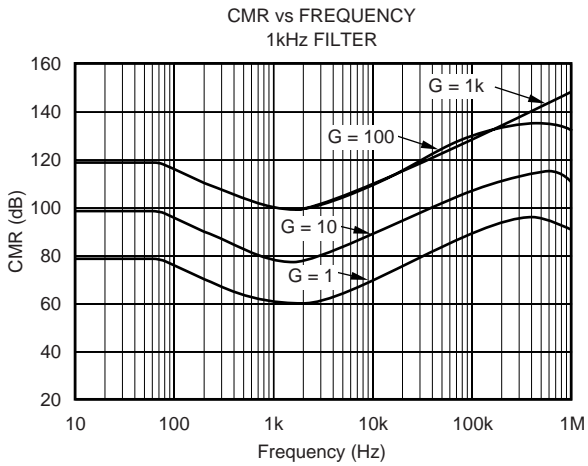
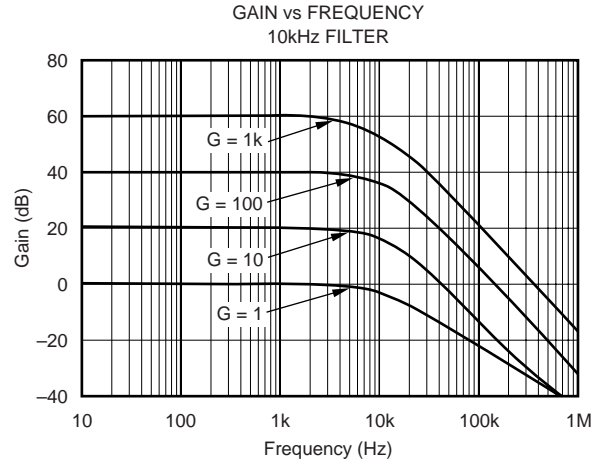
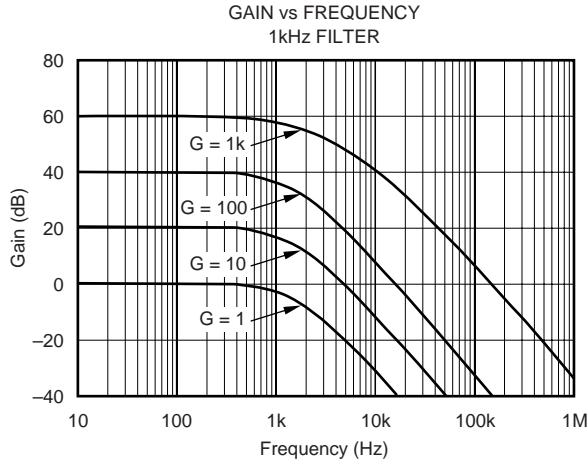
At $T_A = +25^\circ\text{C}$, $R_L = 10\text{k}\Omega$, $G = 100$ ($R_1 = 2\text{k}\Omega$, $R_2 = 100\text{k}\Omega$), external gain set resistors, and $I_{A_{\text{COMMON}}} = V_S/2$, with external equivalent filter corner of 1kHz filters, unless otherwise noted.

PARAMETER	CONDITION	INA337AIDGK, INA338AIDGS			UNITS
		MIN	TYP	MAX	
POWER SUPPLY					
Specified Voltage Range	$I_O = 0$, Diff $V_{IN} = 0V$, $V_S = +5V$	+2.7		+5.5	V
Quiescent Current			2.4	3.4	mA
Over Temperature				3.7	mA
SHUTDOWN					
Disable (Logic-Low Threshold)	$V_S = +5V$, Disabled	1.6		0.25	V
Enable (Logic-High Threshold)					V
Enable Time ⁽⁵⁾					μs
Disable Time					μs
Shutdown Current and Enable Pin Current					μA
TEMPERATURE RANGE					
Specified Range	θ_{JA} MSOP-8 Surface-Mount	-40	150	+125	$^\circ\text{C}$
Operating Range		-40		+150	$^\circ\text{C}$
Storage Range		-65		+150	$^\circ\text{C}$
Thermal Resistance					$^\circ\text{C}/\text{W}$

NOTES: (1) 1000-hour life test at 150°C demonstrated randomly distributed variation in the range of measurement limits—approximately $10\mu\text{V}$. (2) See Applications Information section, Figures 1 and 2. (3) Does not include error and TCR of external gain-setting resistors. (4) Dynamic response is limited by filtering. Higher bandwidths can be achieved by adjusting the filter. (5) See Typical Characteristics, "Input Offset Voltage vs Warm-Up Time".

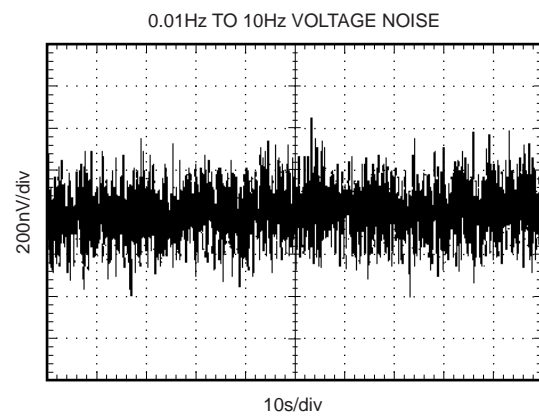
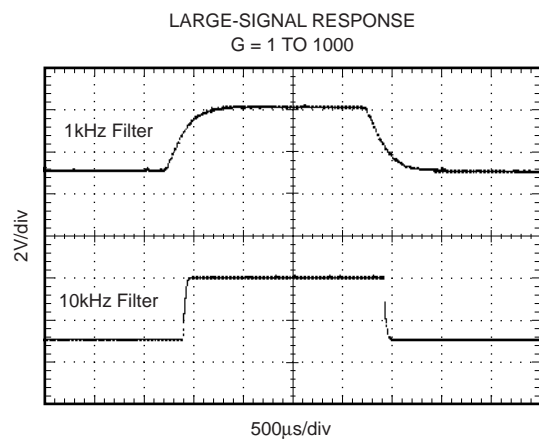
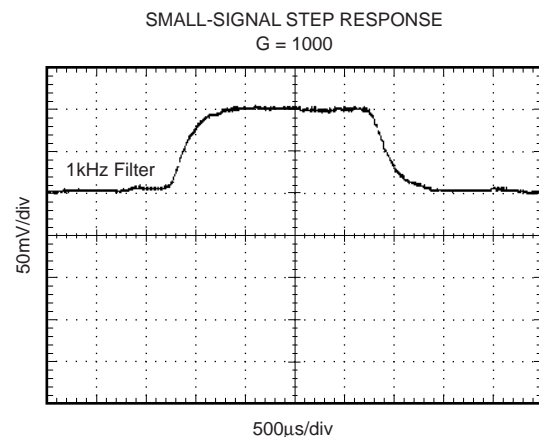
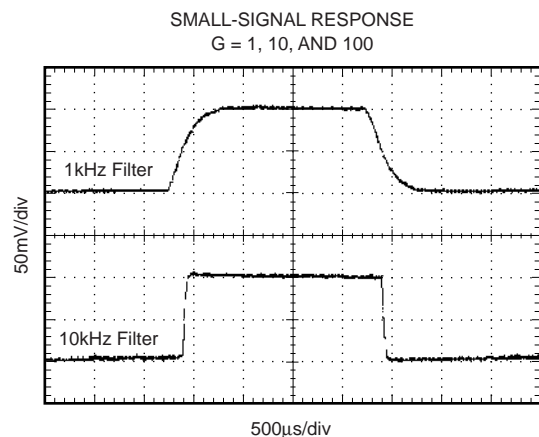
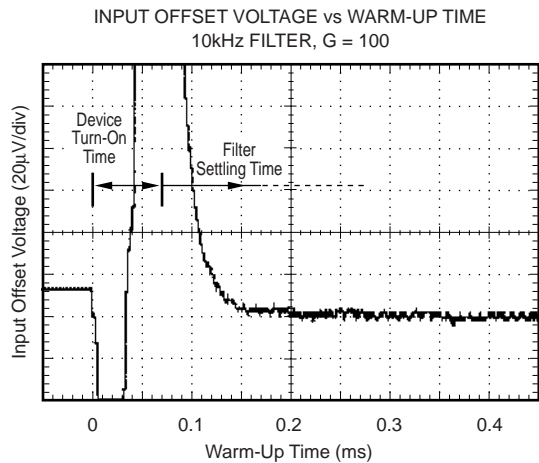
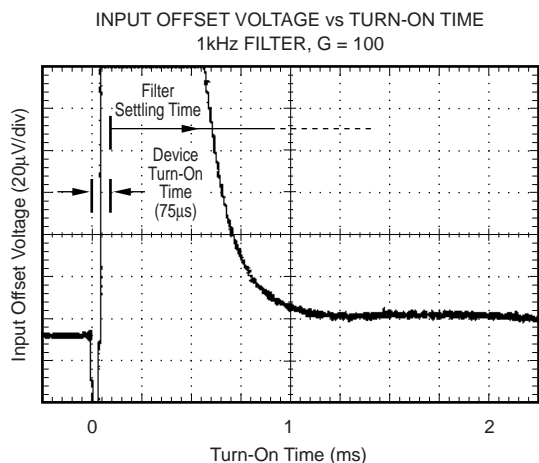
TYPICAL CHARACTERISTICS

At $T_A = 25^\circ\text{C}$, $V_S = +5\text{V}$, Gain = 100, $R_L = 10\text{k}\Omega$ with external equivalent filter corner of 1kHz filters, unless otherwise noted.



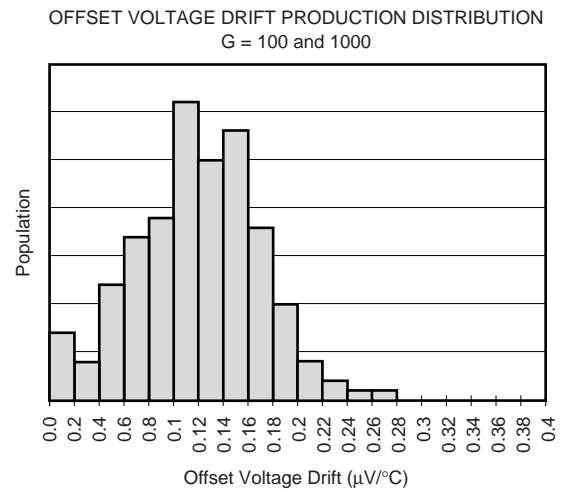
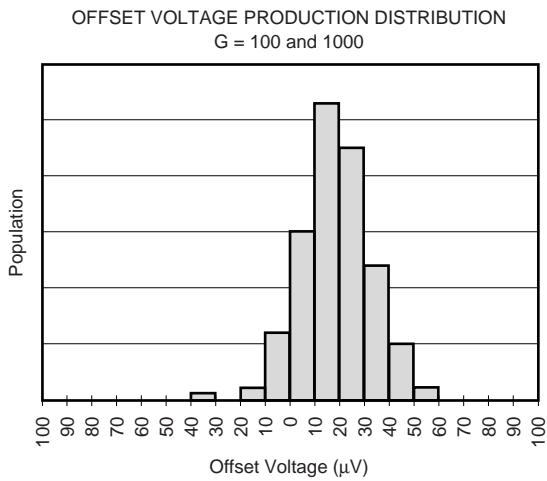
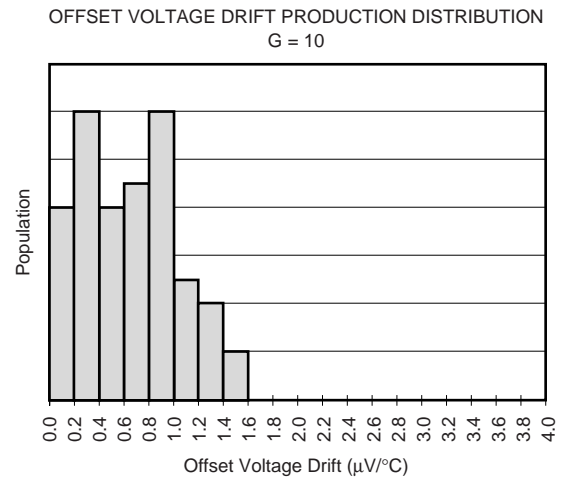
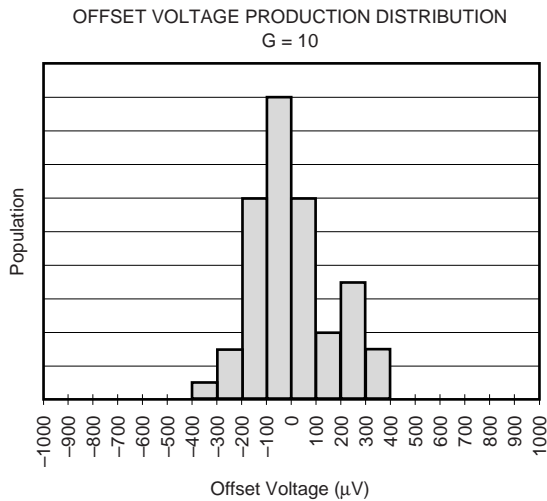
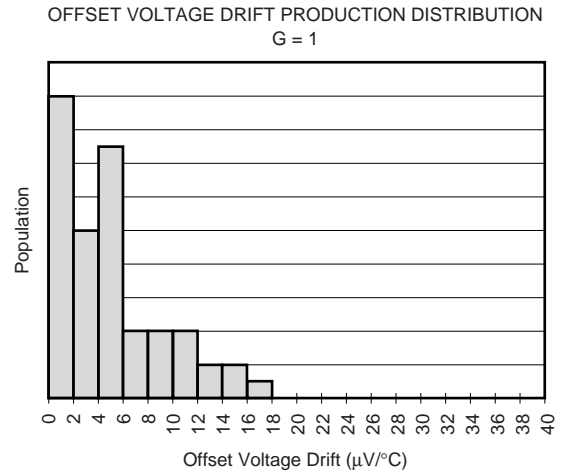
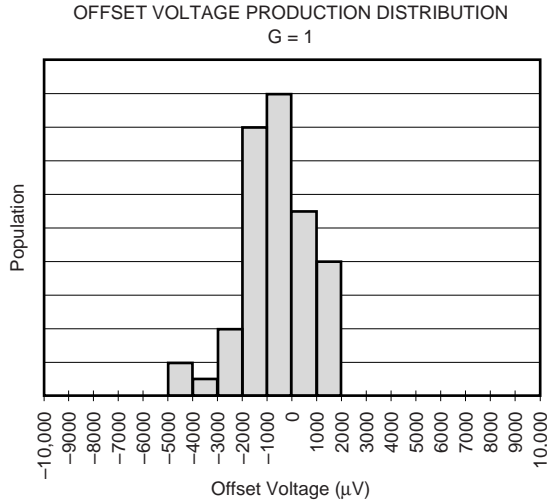
TYPICAL CHARACTERISTICS (Cont.)

At $T_A = 25^\circ\text{C}$, $V_S = +5\text{V}$, Gain = 100, $R_L = 10\text{k}\Omega$ with external equivalent filter corner of 1kHz filters, unless otherwise noted.



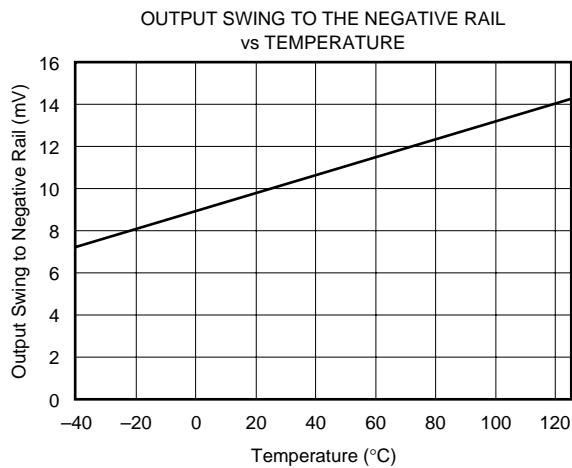
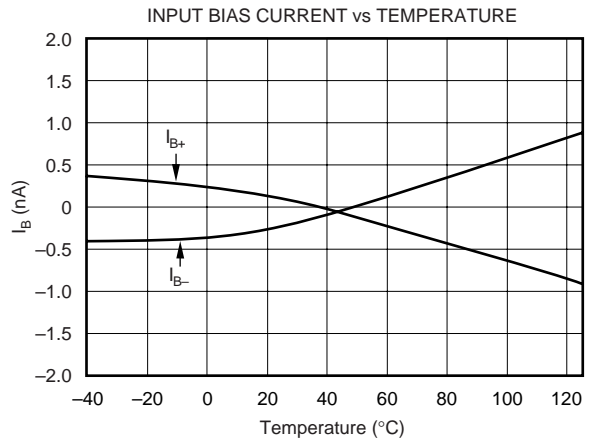
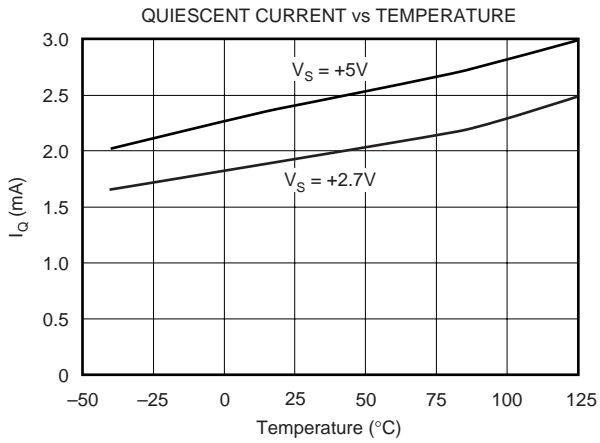
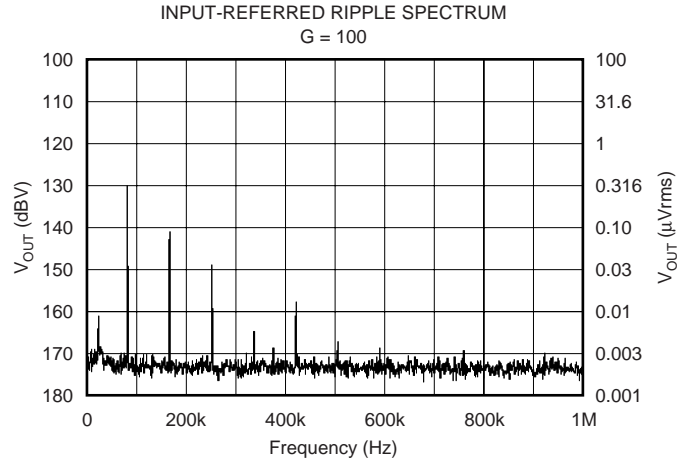
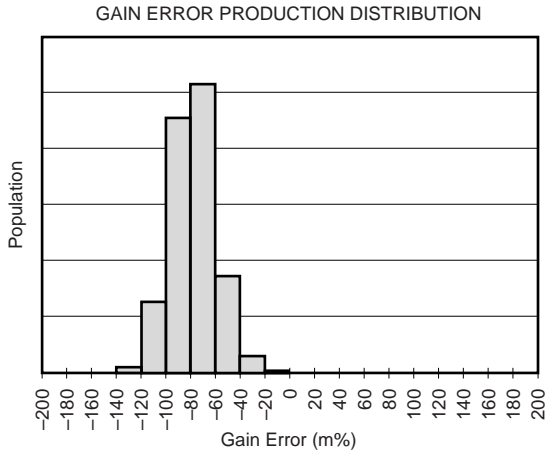
TYPICAL CHARACTERISTICS (Cont.)

At $T_A = 25^\circ\text{C}$, $V_S = +5\text{V}$, Gain = 100, $R_L = 10\text{k}\Omega$ with external equivalent filter corner of 1kHz filters, unless otherwise noted.



TYPICAL CHARACTERISTICS (Cont.)

At $T_A = 25^\circ\text{C}$, $V_S = +5\text{V}$, Gain = 100, $R_L = 10\text{k}\Omega$ with external equivalent filter corner of 1kHz filters, unless otherwise noted.



APPLICATIONS INFORMATION

Figure 1 shows the basic connections required for operation of the INA337. A 0.1µF capacitor, placed close to and across the power-supply pins is strongly recommended for highest accuracy. R_OC_O is an output filter that minimizes auto-correction circuitry noise. This output filter may also serve as an anti-aliasing filter ahead of an Analog-to-Digital (A/D) converter. It is also optional based on desired precision.

The output reference terminal is taken at the low side of R₂ (I_ACOMMON).

The INA337 uses a unique internal topology to achieve excellent common-mode rejection (CMR). Unlike conventional instrumentation amplifiers, CMR is not affected by resistance in the reference connections. See "Inside the INA337" for further detail. To achieve best high-frequency CMR, minimize capacitance on pins 1 and 8.

SETTING THE GAIN

The INA337 is a 2-stage amplifier with each stage gain set by R₁ and R₂, respectively (see Figure 4, "Inside the INA337", for details.) Overall gain is described by the equation:

$$G = \frac{2R_2}{R_1} \quad (1)$$

The stability and temperature drift of the external gain-setting resistors will affect gain by an amount that can be directly inferred from the gain equation (1).

Resistor values for commonly used gains are shown in Figure 1. Gain-set resistor values for best performance are different for +5V single-supply and for ±2.5V dual-supply operation. Optimum value for R₁ can be calculated by:

$$R_1 = V_{IN, MAX}/12.5\mu A \quad (2)$$

where R₁ must be no less than 2kΩ.

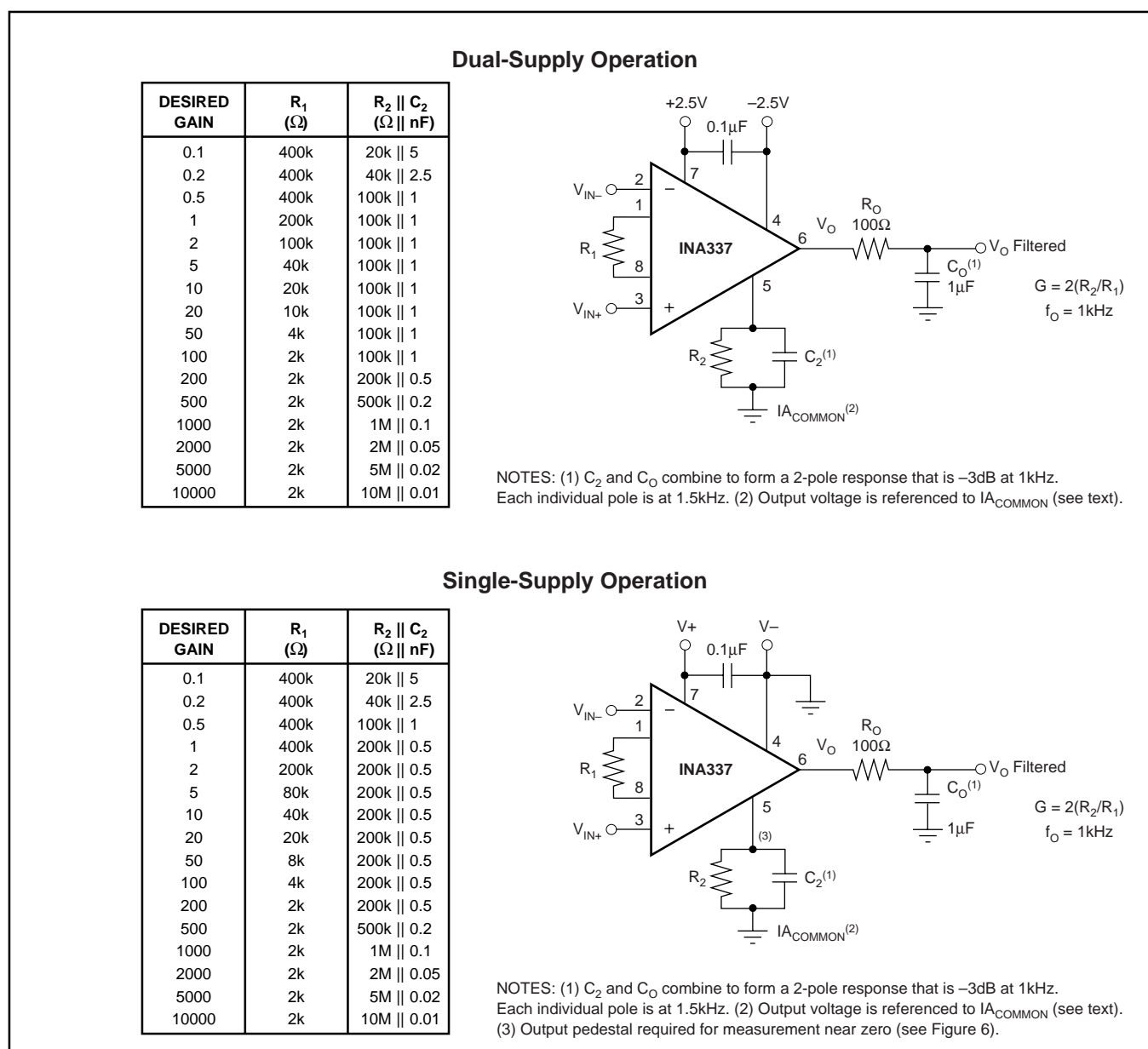


FIGURE 1. Basic Connections. NOTE: Connections for INA338 differ—see Pin Configuration for detail.

Following this design procedure for R_1 produces the maximum possible input stage gain for best accuracy and lowest noise.

Circuit layout and supply bypassing can affect performance. Minimize the stray capacitance on pins 1 and 8. Use recommended supply bypassing, including a capacitor directly from pin 7 to pin 4 (V_+ to V_-), even with dual (split) power supplies (see Figure 1).

DYNAMIC PERFORMANCE

The typical characteristic “Gain vs Frequency” shows that the INA337 has nearly constant bandwidth regardless of gain. This results from the bandwidth limiting from the recommended filters.

NOISE PERFORMANCE

Internal auto-correction circuitry eliminates virtually all $1/f$ noise (noise that increases at low frequency) in gains of 100 or greater. Noise performance is affected by gain-setting resistor values. Follow recommendations in the “Setting Gain” section for best performance.

Total noise is a combination of input stage noise and output stage noise. When referred to the input, the total mid-band noise is:

$$V_N = 33\text{nV}/\sqrt{\text{Hz}} + \frac{800\text{nV}/\sqrt{\text{Hz}}}{G} \quad (3)$$

The output noise has some $1/f$ components that affect performance in gains less than 10. See typical characteristic “Input-Referred Voltage Noise vs Frequency.”

High-frequency noise is created by internal auto-correction circuitry and is highly dependent on the filter characteristics chosen. This may be the dominant source of noise visible when viewing the output on an oscilloscope. Low cutoff frequency filters will provide lowest noise. Figure 2 shows the typical noise performance as a function of cutoff frequency.

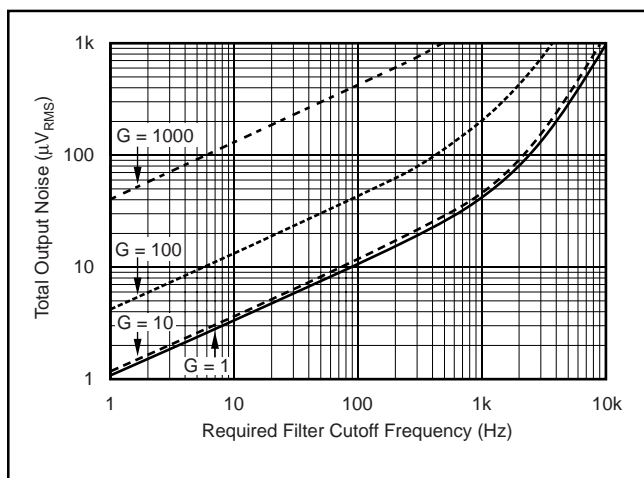


FIGURE 2. Total Output Noise vs Filter Cutoff Frequency.

Applications sensitive to the spectral characteristics of high-frequency noise may require consideration of the spurious frequencies generated by internal clocking circuitry. “Spurs” occur at approximately 90kHz and its harmonics (see typical characteristic “Input Referred Ripple”) which may be reduced by additional filtering below 1kHz.

Insufficient filtering at pin 5 can cause nonlinearity with large output voltage swings (very near the supply rails). Noise must be sufficiently filtered at pin 5 so that noise peaks do not “hit the rail” and change the average value of the signal. Figure 2 shows guidelines for filter cutoff frequency.

HIGH-FREQUENCY NOISE

C_2 and C_O form filters to reduce internally generated auto-correction circuitry noise. Filter frequencies can be chosen to optimize the tradeoff between noise and frequency response of the application, as shown in Figure 2. The cutoff frequencies of the filters are generally set to the same frequency. Figure 2 shows the typical output noise for four gains as a function of the -3dB cutoff frequency of each filter response. Small signals may exhibit the addition of internally generated auto-correction circuitry noise at the output. This noise, combined with broadband noise, becomes most evident in higher gains with filters of wider bandwidth.

INPUT BIAS CURRENT RETURN PATH

The input impedance of the INA337 is extremely high—approximately $10^{10}\Omega$. However, a path must be provided for the input bias current of both inputs. This input bias current is approximately $\pm 0.2\text{nA}$. High input impedance means that this input bias current changes very little with varying input voltage.

Input circuitry must provide a path for this input bias current for proper operation. Figure 3 shows provisions for an input bias current path in a thermocouple application. Without a bias current path, the inputs will float to an undefined potential and the output voltage may not be valid.

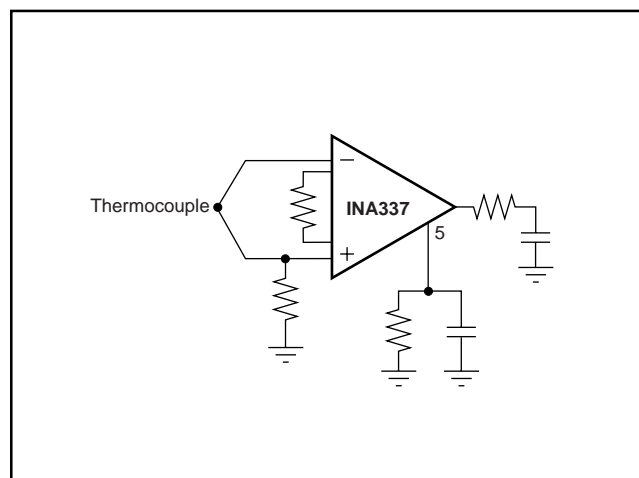


FIGURE 3. Providing Input Bias Current Return Path.

INPUT AND OUTPUT VOLTAGE

The INA337 and INA338 feature nearly rail-to-rail input behavior, with the linear input voltage range extending from 0.25V above the negative rail to 0.1V above the positive rail. The output is able to swing to within 0.25V of the negative rail and 0.075V of the positive rail. See Typical Characteristics Curve “Output Swing to the Negative Rail” for additional detail.

INPUT PROTECTION

The inputs of the INA337 are protected with internal diodes connected to the power-supply rails. These diodes will clamp the applied signal to prevent it from damaging the input circuitry. If the input signal voltage can exceed the power supplies by more than 0.5V, the input signal current should be limited to less than 10mA to protect the internal clamp diodes. This can generally be done with a series input resistor. Some signal sources are inherently current-limited and do not require limiting resistors.

INSIDE THE INA337

The INA337 uses a new, unique internal circuit topology that provides near rail-to-rail input. Unlike other instrumentation amplifiers, it can linearly process inputs from 0.25V above the negative rail to 0.1V beyond the positive rail. Conventional instrumentation amplifier circuits cannot deliver such performance, even if rail-to-rail op amps are used.

The ability to reject common-mode signals is derived in most instrumentation amplifiers through a combination of amplifier CMR and accurately matched resistor ratios. The INA337 converts the input voltage to a current. Current-mode signal processing provides rejection of common-mode input voltage and power-supply variation without accurately matched resistors.

The topology of the INA337 avoids aliasing issues that appear in instrumentation amplifiers that use sampled data techniques.

A simplified diagram shows the basic circuit function. The differential input voltage, $(V_{IN+}) - (V_{IN-})$ is applied across R_1 . The signal-generated current through R_1 comes from A1 and A2's output stages. A2 combines the current in R_1 with a mirrored replica of the current from A1. The resulting current in A2's output and associated current mirror is two times the current in R_1 . This current flows in (or out) of pin 5 into R_2 . The resulting gain equation is:

$$G = \frac{2R_2}{R_1}$$

Amplifiers A1, A2 and their associated mirrors are powered from internal charge-pumps that provide voltage supplies that are beyond the positive negative supply. As a result, the voltage developed on R_2 can actually swing 100mV above the positive power-supply rail. A3 provides a buffered output of the voltage on R_2 . A3's input stage is also operated from the charge-pumped power supplies for true rail-to-rail operation.

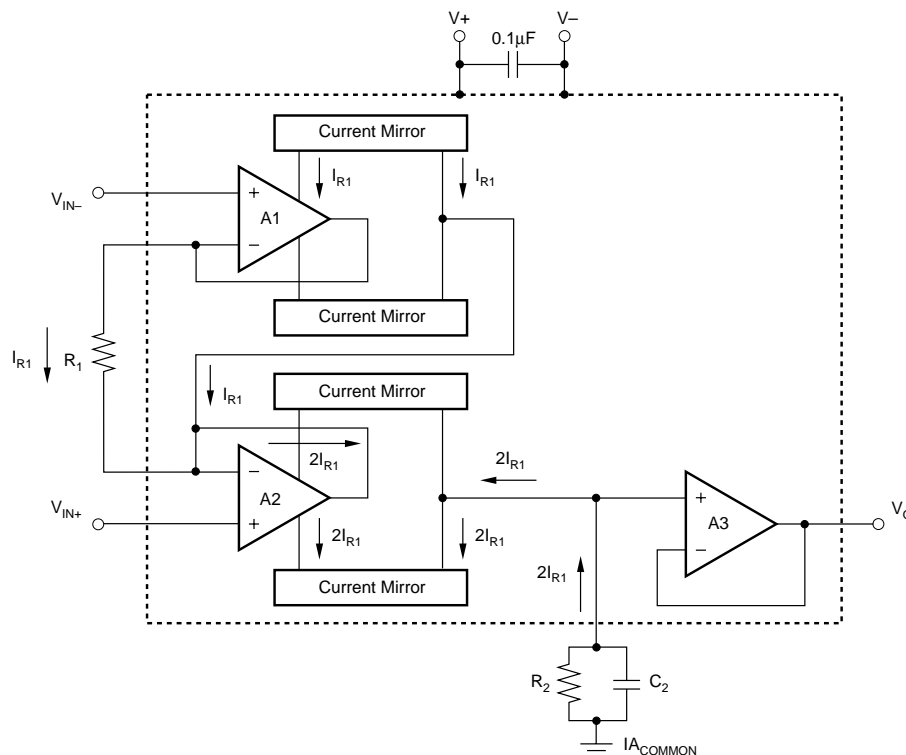


FIGURE 4. Simplified Circuit Diagram.

FILTERING

Filtering can be adjusted through selection of R_2C_2 and R_0C_0 for the desired tradeoff of noise and bandwidth. Adjustment of these components will result in more or less ripple due to auto-correction circuitry noise and will also affect broadband noise. Filtering limits slew rate, settling time, and output overload recovery time.

It is generally desirable to keep the resistance of R_0 relatively low to avoid DC gain error created by the subsequent stage loading. This may result in relatively high values for C_0 to produce the desired filter response. The impedance of R_0C_0 can be scaled higher to produce smaller capacitor values if the load impedance is very high.

Certain capacitor types greater than $0.1\mu\text{F}$ may have dielectric absorption effects that can significantly increase settling time in high-accuracy applications (settling to 0.01%). Polypropylene, polystyrene, and polycarbonate types are generally good. Certain “high-K” ceramic types may produce slow settling “tails.” Settling time to 0.1% is not generally affected by high-K ceramic capacitors. Electrolytic types are not recommended for C_2 and C_0 .

INA338 ENABLE FUNCTION

The INA338 can be enabled by applying a logic “High” voltage level to the Enable pin. Conversely, a logic “Low” voltage level will disable the amplifier, reducing its supply current from 2.4mA to typically $2\mu\text{A}$. For battery-operated applications, this feature may be used to greatly reduce the average current and extend battery life. This pin should be connected to a valid high or low voltage or driven, not left open circuit. The Enable pin can be modeled as a CMOS input gate as in Figure 5.

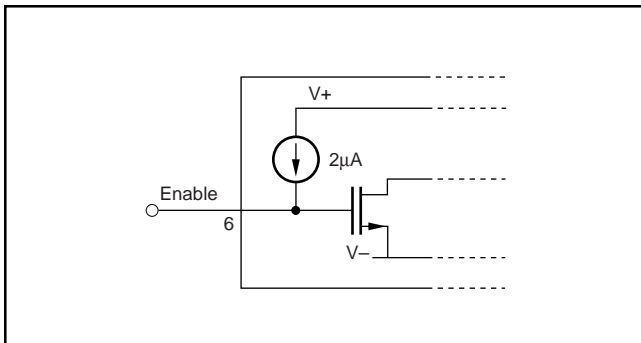


FIGURE 5. Enable Pin Model.

The enable time following shutdown is $75\mu\text{s}$ plus the settling time due to filters (see Typical Characteristics, “Input Offset Voltage vs Warm-up Time”). Disable time is $100\mu\text{s}$. This allows the INA338 to be operated as a “gated” amplifier, or to have its output multiplexed onto a common output bus. When disabled, the output assumes a high-impedance state.

INA338 PIN 5

Pin 5 of the INA338 should be connected to V_+ to ensure proper operation.

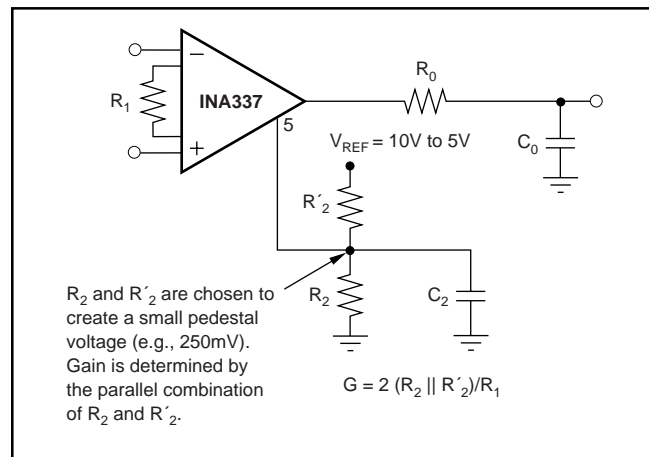


FIGURE 6. Output Range Pedestal.

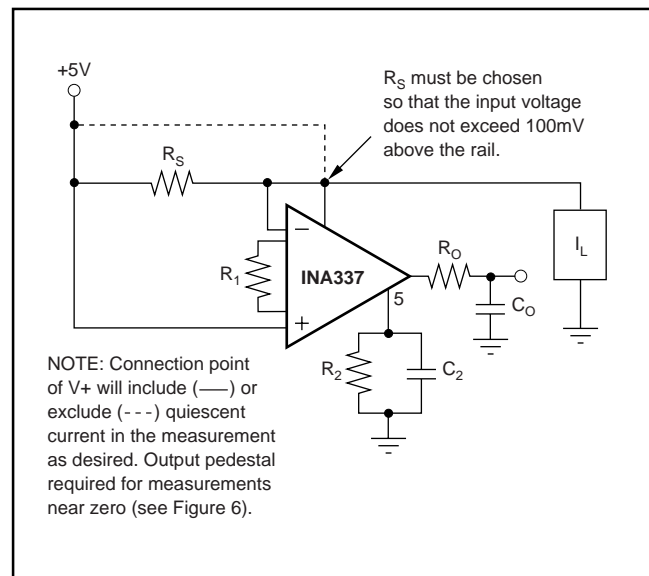


FIGURE 7. High-Side Shunt Measurement of Current Load.

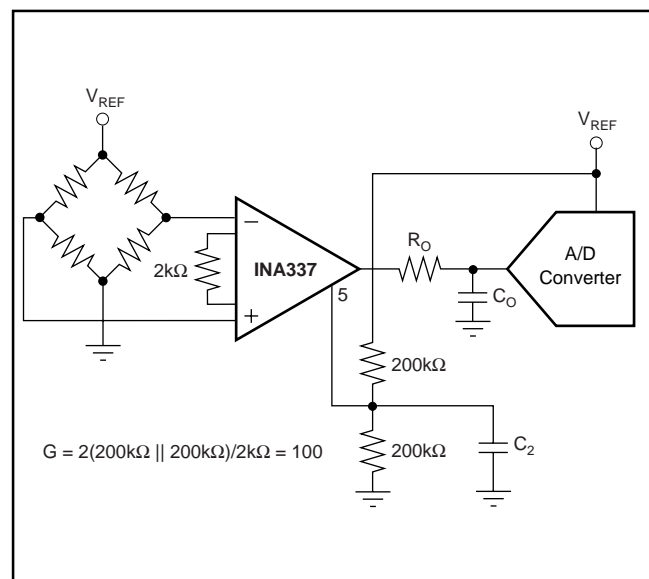
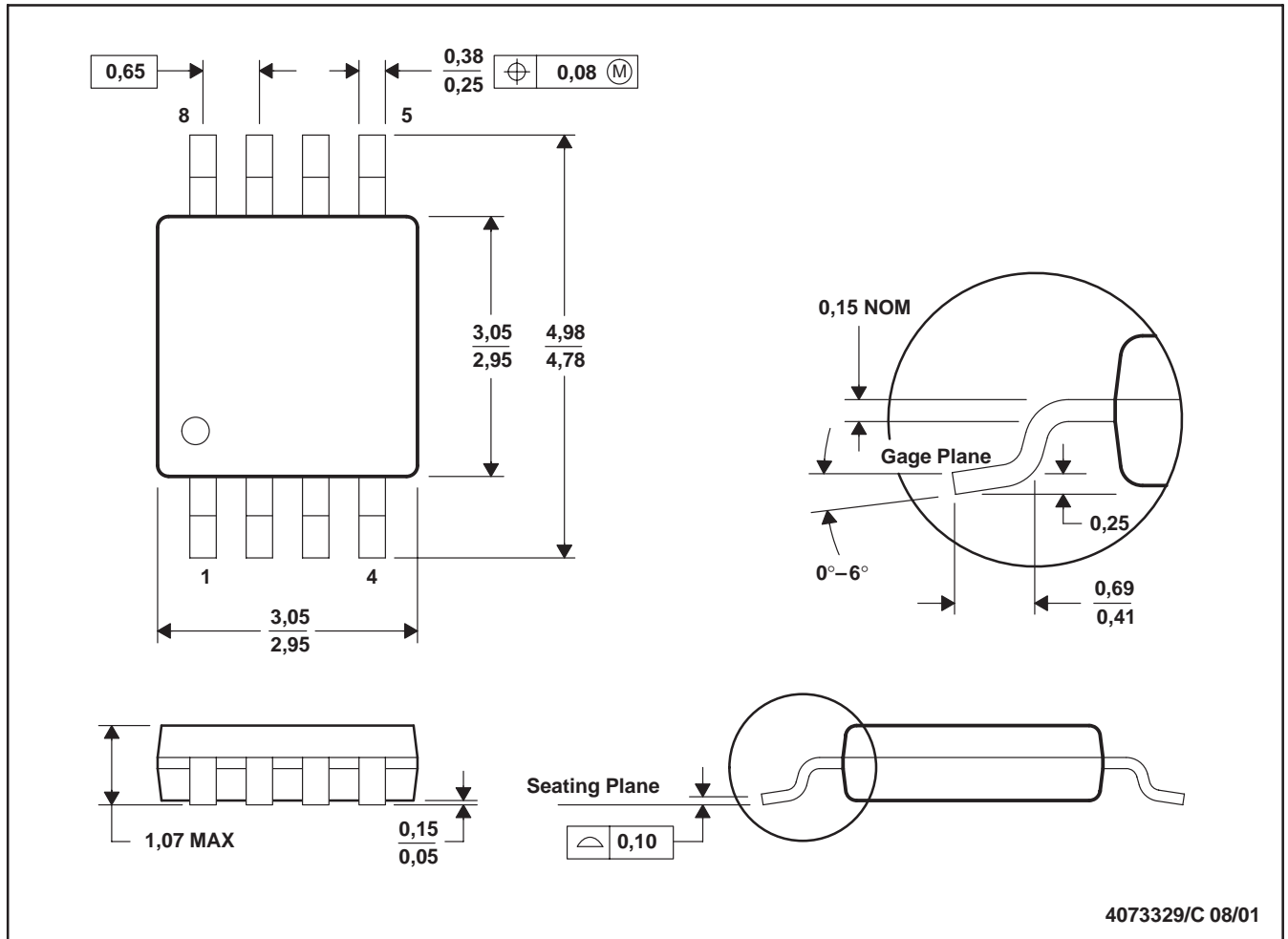


FIGURE 8. Output Referenced to $V_{REF}/2$.

DGK (R-PDSO-G8)

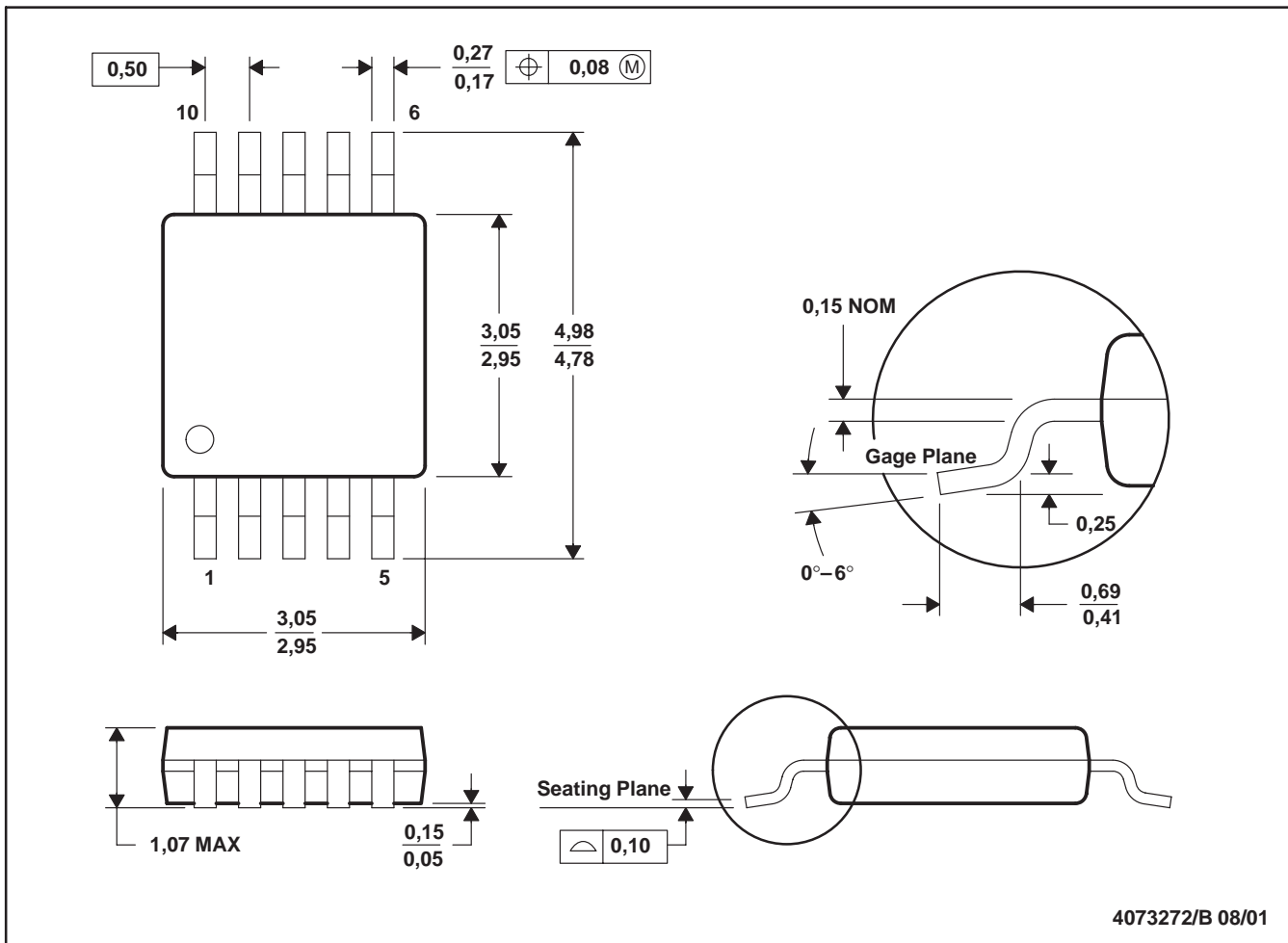
PLASTIC SMALL-OUTLINE PACKAGE



- NOTES: A. All linear dimensions are in millimeters.
 B. This drawing is subject to change without notice.
 C. Body dimensions do not include mold flash or protrusion.
 D. Falls within JEDEC MO-187

DGS (S-PDSO-G10)

PLASTIC SMALL-OUTLINE PACKAGE



- NOTES: A. All linear dimensions are in millimeters.
 B. This drawing is subject to change without notice.
 C. Body dimensions do not include mold flash or protrusion.
 A. Falls within JEDEC MO-187

PACKAGING INFORMATION

Orderable Device	Status (1)	Package Type	Package Drawing	Pins	Package Qty	Eco Plan (2)	Lead/Ball Finish (6)	MSL Peak Temp (3)	Op Temp (°C)	Device Marking (4/5)	Samples
INA337AIDGKR	ACTIVE	VSSOP	DGK	8	2500	Green (RoHS & no Sb/Br)	CU NIPDAUAG	Level-2-260C-1 YEAR	-40 to 125	BIM	Samples
INA337AIDGKT	ACTIVE	VSSOP	DGK	8	250	Green (RoHS & no Sb/Br)	CU NIPDAUAG	Level-2-260C-1 YEAR	-40 to 125	BIM	Samples
INA337AIDGKTG4	ACTIVE	VSSOP	DGK	8	250	Green (RoHS & no Sb/Br)	CU NIPDAUAG	Level-2-260C-1 YEAR	-40 to 125	BIM	Samples
INA338AIDGST	ACTIVE	VSSOP	DGS	10	250	Green (RoHS & no Sb/Br)	CU NIPDAUAG	Level-2-260C-1 YEAR	-40 to 125	BIL	Samples

(1) The marketing status values are defined as follows:

ACTIVE: Product device recommended for new designs.

LIFEBUY: TI has announced that the device will be discontinued, and a lifetime-buy period is in effect.

NRND: Not recommended for new designs. Device is in production to support existing customers, but TI does not recommend using this part in a new design.

PREVIEW: Device has been announced but is not in production. Samples may or may not be available.

OBSOLETE: TI has discontinued the production of the device.

(2) **RoHS:** TI defines "RoHS" to mean semiconductor products that are compliant with the current EU RoHS requirements for all 10 RoHS substances, including the requirement that RoHS substance do not exceed 0.1% by weight in homogeneous materials. Where designed to be soldered at high temperatures, "RoHS" products are suitable for use in specified lead-free processes. TI may reference these types of products as "Pb-Free".

RoHS Exempt: TI defines "RoHS Exempt" to mean products that contain lead but are compliant with EU RoHS pursuant to a specific EU RoHS exemption.

Green: TI defines "Green" to mean the content of Chlorine (Cl) and Bromine (Br) based flame retardants meet JS709B low halogen requirements of <=1000ppm threshold. Antimony trioxide based flame retardants must also meet the <=1000ppm threshold requirement.

(3) MSL, Peak Temp. - The Moisture Sensitivity Level rating according to the JEDEC industry standard classifications, and peak solder temperature.

(4) There may be additional marking, which relates to the logo, the lot trace code information, or the environmental category on the device.

(5) Multiple Device Markings will be inside parentheses. Only one Device Marking contained in parentheses and separated by a "-" will appear on a device. If a line is indented then it is a continuation of the previous line and the two combined represent the entire Device Marking for that device.

(6) Lead/Ball Finish - Orderable Devices may have multiple material finish options. Finish options are separated by a vertical ruled line. Lead/Ball Finish values may wrap to two lines if the finish value exceeds the maximum column width.

Important Information and Disclaimer:The information provided on this page represents TI's knowledge and belief as of the date that it is provided. TI bases its knowledge and belief on information provided by third parties, and makes no representation or warranty as to the accuracy of such information. Efforts are underway to better integrate information from third parties. TI has taken and

continues to take reasonable steps to provide representative and accurate information but may not have conducted destructive testing or chemical analysis on incoming materials and chemicals. TI and TI suppliers consider certain information to be proprietary, and thus CAS numbers and other limited information may not be available for release.

In no event shall TI's liability arising out of such information exceed the total purchase price of the TI part(s) at issue in this document sold by TI to Customer on an annual basis.

TAPE AND REEL INFORMATION

QUADRANT ASSIGNMENTS FOR PIN 1 ORIENTATION IN TAPE


*All dimensions are nominal

Device	Package Type	Package Drawing	Pins	SPQ	Reel Diameter (mm)	Reel Width W1 (mm)	A0 (mm)	B0 (mm)	K0 (mm)	P1 (mm)	W (mm)	Pin1 Quadrant
INA337AIDGKR	VSSOP	DGK	8	2500	330.0	12.4	5.3	3.4	1.4	8.0	12.0	Q1
INA337AIDGKT	VSSOP	DGK	8	250	180.0	12.4	5.3	3.4	1.4	8.0	12.0	Q1
INA338AIDGST	VSSOP	DGS	10	250	180.0	12.4	5.3	3.4	1.4	8.0	12.0	Q1

TAPE AND REEL BOX DIMENSIONS


*All dimensions are nominal

Device	Package Type	Package Drawing	Pins	SPQ	Length (mm)	Width (mm)	Height (mm)
INA337AIDGKR	VSSOP	DGK	8	2500	367.0	367.0	35.0
INA337AIDGKT	VSSOP	DGK	8	250	210.0	185.0	35.0
INA338AIDGST	VSSOP	DGS	10	250	210.0	185.0	35.0

IMPORTANT NOTICE

Texas Instruments Incorporated (TI) reserves the right to make corrections, enhancements, improvements and other changes to its semiconductor products and services per JESD46, latest issue, and to discontinue any product or service per JESD48, latest issue. Buyers should obtain the latest relevant information before placing orders and should verify that such information is current and complete.

TI's published terms of sale for semiconductor products (<http://www.ti.com/sc/docs/stdterms.htm>) apply to the sale of packaged integrated circuit products that TI has qualified and released to market. Additional terms may apply to the use or sale of other types of TI products and services.

Reproduction of significant portions of TI information in TI data sheets is permissible only if reproduction is without alteration and is accompanied by all associated warranties, conditions, limitations, and notices. TI is not responsible or liable for such reproduced documentation. Information of third parties may be subject to additional restrictions. Resale of TI products or services with statements different from or beyond the parameters stated by TI for that product or service voids all express and any implied warranties for the associated TI product or service and is an unfair and deceptive business practice. TI is not responsible or liable for any such statements.

Buyers and others who are developing systems that incorporate TI products (collectively, "Designers") understand and agree that Designers remain responsible for using their independent analysis, evaluation and judgment in designing their applications and that Designers have full and exclusive responsibility to assure the safety of Designers' applications and compliance of their applications (and of all TI products used in or for Designers' applications) with all applicable regulations, laws and other applicable requirements. Designer represents that, with respect to their applications, Designer has all the necessary expertise to create and implement safeguards that (1) anticipate dangerous consequences of failures, (2) monitor failures and their consequences, and (3) lessen the likelihood of failures that might cause harm and take appropriate actions. Designer agrees that prior to using or distributing any applications that include TI products, Designer will thoroughly test such applications and the functionality of such TI products as used in such applications.

TI's provision of technical, application or other design advice, quality characterization, reliability data or other services or information, including, but not limited to, reference designs and materials relating to evaluation modules, (collectively, "TI Resources") are intended to assist designers who are developing applications that incorporate TI products; by downloading, accessing or using TI Resources in any way, Designer (individually or, if Designer is acting on behalf of a company, Designer's company) agrees to use any particular TI Resource solely for this purpose and subject to the terms of this Notice.

TI's provision of TI Resources does not expand or otherwise alter TI's applicable published warranties or warranty disclaimers for TI products, and no additional obligations or liabilities arise from TI providing such TI Resources. TI reserves the right to make corrections, enhancements, improvements and other changes to its TI Resources. TI has not conducted any testing other than that specifically described in the published documentation for a particular TI Resource.

Designer is authorized to use, copy and modify any individual TI Resource only in connection with the development of applications that include the TI product(s) identified in such TI Resource. NO OTHER LICENSE, EXPRESS OR IMPLIED, BY ESTOPPEL OR OTHERWISE TO ANY OTHER TI INTELLECTUAL PROPERTY RIGHT, AND NO LICENSE TO ANY TECHNOLOGY OR INTELLECTUAL PROPERTY RIGHT OF TI OR ANY THIRD PARTY IS GRANTED HEREIN, including but not limited to any patent right, copyright, mask work right, or other intellectual property right relating to any combination, machine, or process in which TI products or services are used. Information regarding or referencing third-party products or services does not constitute a license to use such products or services, or a warranty or endorsement thereof. Use of TI Resources may require a license from a third party under the patents or other intellectual property of the third party, or a license from TI under the patents or other intellectual property of TI.

TI RESOURCES ARE PROVIDED "AS IS" AND WITH ALL FAULTS. TI DISCLAIMS ALL OTHER WARRANTIES OR REPRESENTATIONS, EXPRESS OR IMPLIED, REGARDING RESOURCES OR USE THEREOF, INCLUDING BUT NOT LIMITED TO ACCURACY OR COMPLETENESS, TITLE, ANY EPIDEMIC FAILURE WARRANTY AND ANY IMPLIED WARRANTIES OF MERCHANTABILITY, FITNESS FOR A PARTICULAR PURPOSE, AND NON-INFRINGEMENT OF ANY THIRD PARTY INTELLECTUAL PROPERTY RIGHTS. TI SHALL NOT BE LIABLE FOR AND SHALL NOT DEFEND OR INDEMNIFY DESIGNER AGAINST ANY CLAIM, INCLUDING BUT NOT LIMITED TO ANY INFRINGEMENT CLAIM THAT RELATES TO OR IS BASED ON ANY COMBINATION OF PRODUCTS EVEN IF DESCRIBED IN TI RESOURCES OR OTHERWISE. IN NO EVENT SHALL TI BE LIABLE FOR ANY ACTUAL, DIRECT, SPECIAL, COLLATERAL, INDIRECT, PUNITIVE, INCIDENTAL, CONSEQUENTIAL OR EXEMPLARY DAMAGES IN CONNECTION WITH OR ARISING OUT OF TI RESOURCES OR USE THEREOF, AND REGARDLESS OF WHETHER TI HAS BEEN ADVISED OF THE POSSIBILITY OF SUCH DAMAGES.

Unless TI has explicitly designated an individual product as meeting the requirements of a particular industry standard (e.g., ISO/TS 16949 and ISO 26262), TI is not responsible for any failure to meet such industry standard requirements.

Where TI specifically promotes products as facilitating functional safety or as compliant with industry functional safety standards, such products are intended to help enable customers to design and create their own applications that meet applicable functional safety standards and requirements. Using products in an application does not by itself establish any safety features in the application. Designers must ensure compliance with safety-related requirements and standards applicable to their applications. Designer may not use any TI products in life-critical medical equipment unless authorized officers of the parties have executed a special contract specifically governing such use. Life-critical medical equipment is medical equipment where failure of such equipment would cause serious bodily injury or death (e.g., life support, pacemakers, defibrillators, heart pumps, neurostimulators, and implantables). Such equipment includes, without limitation, all medical devices identified by the U.S. Food and Drug Administration as Class III devices and equivalent classifications outside the U.S.

TI may expressly designate certain products as completing a particular qualification (e.g., Q100, Military Grade, or Enhanced Product). Designers agree that it has the necessary expertise to select the product with the appropriate qualification designation for their applications and that proper product selection is at Designers' own risk. Designers are solely responsible for compliance with all legal and regulatory requirements in connection with such selection.

Designer will fully indemnify TI and its representatives against any damages, costs, losses, and/or liabilities arising out of Designer's non-compliance with the terms and provisions of this Notice.

Looking for pricing, stock, or lifecycle information?

Click below to explore more details on WIN SOURCE:

 [View INA337AIDGKT on WIN SOURCE](#)

 [Texas Instruments](#) Information

Optimize Your Supply Chain with WIN SOURCE Solutions

-  Global Sourcing Solution
-  Obsolete Management
-  Cost Control Management
-  Shortage Management
-  Alternative Solution
-  Excess Inventory Management