

New Product Spotlight

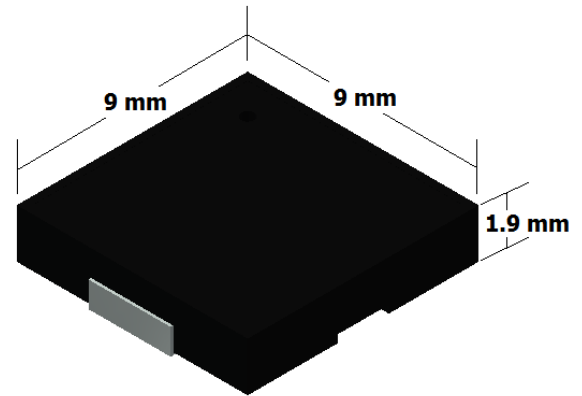
SMT-09 Series Surface Mount Transducers

With a razor-thin thickness of only 1.9mm, PUI Audio's new SMT-09 Series surface mount transducers are purpose-built for today's modern mobile devices.

The **SMT-0952-T-5V-R** features a directional resonant frequency of 5200 Hz, making it ideal for location-based tracker alarms; helping the user find the device based on sound.

The **SMT-0940-T-3V-R** is designed with a lower resonant frequency, making it a good choice for multi-tone output while remaining thin.

Both are piezo-based audio solutions, which keeps current consumption to an extremely low, battery-friendly 3 mA and 1 mA max (respectively) and allows for a wide operating voltage range from 1 to 25 Vp-p and easy output scalability.



Looking for pricing, stock, or lifecycle information?

Click below to explore more details on WIN SOURCE:

 [View SMT-0952-T-5V-R on WIN SOURCE](#)

 [PUI Audio, Inc. Information](#)

Optimize Your Supply Chain with WIN SOURCE Solutions

-  Global Sourcing Solution
-  Obsolete Management
-  Cost Control Management
-  Shortage Management
-  Alternative Solution
-  Excess Inventory Management