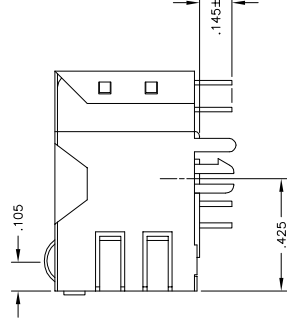
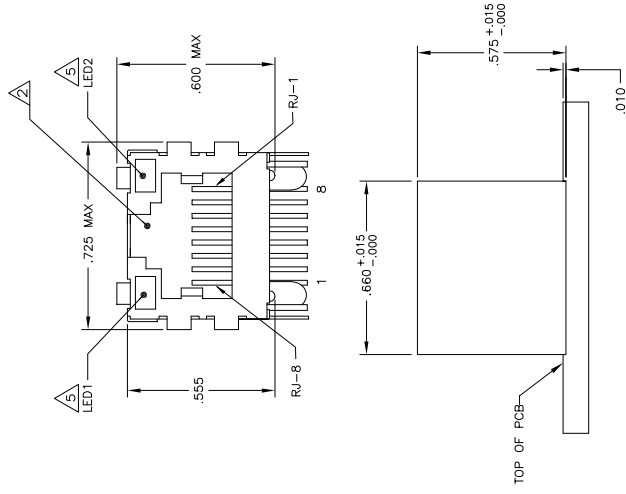
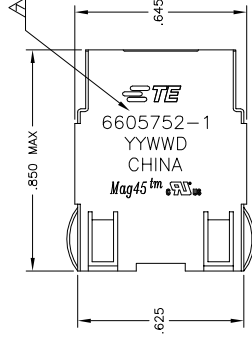




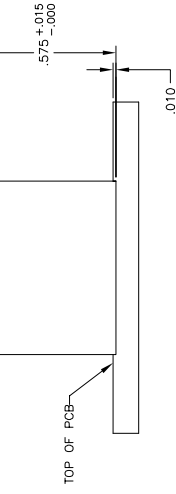
THE DATASHEET OF
1-6605752-1



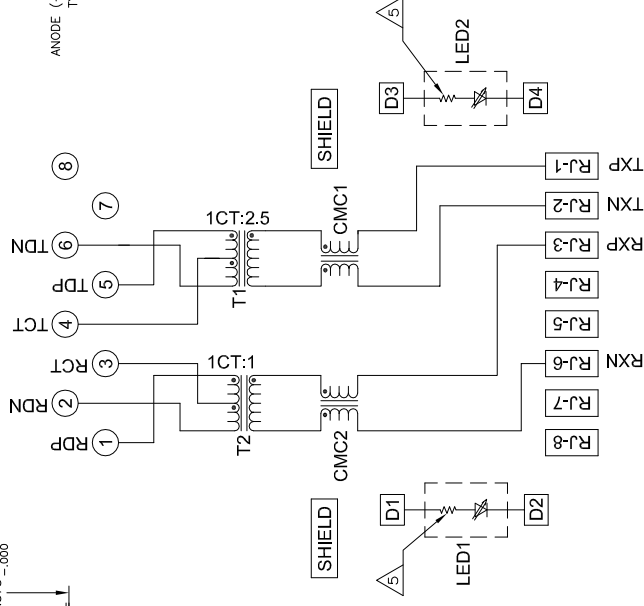
MECHANICAL:



Suggested Panel Cutout

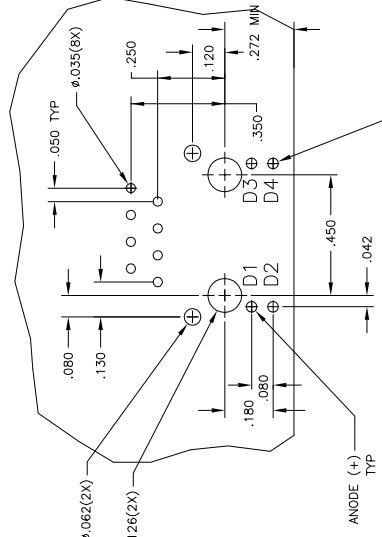
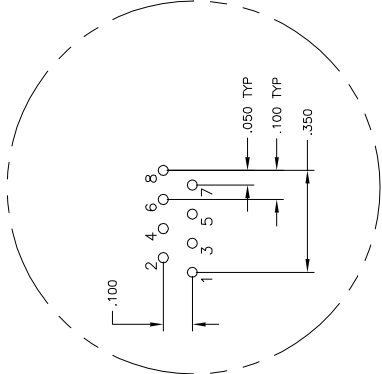


724 SERIES MAGNETIC CIRCUIT



**Suggested PCB Layout
 (Component Side)**

Pin Designations



Looking for pricing, stock, or lifecycle information?

Click below to explore more details on WIN SOURCE:

 [View 1-6605752-1 on WIN SOURCE](#)

 [TE Connectivity](#) Information

Optimize Your Supply Chain with WIN SOURCE Solutions

-  Global Sourcing Solution
-  Obsolete Management
-  Cost Control Management
-  Shortage Management
-  Alternative Solution
-  Excess Inventory Management