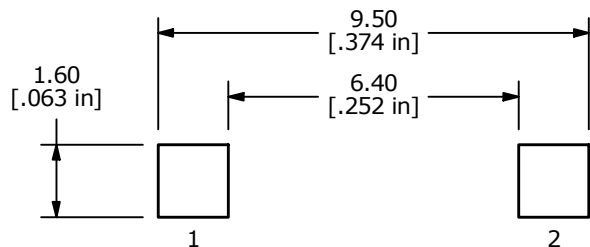


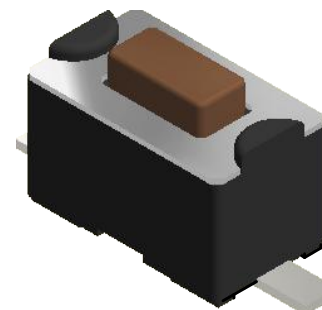
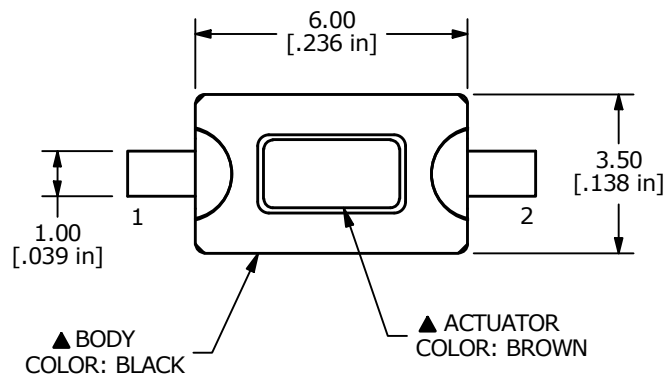
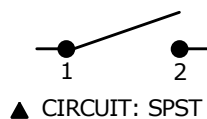


**THE DATASHEET OF  
TS35M9-4.3-160-TR**



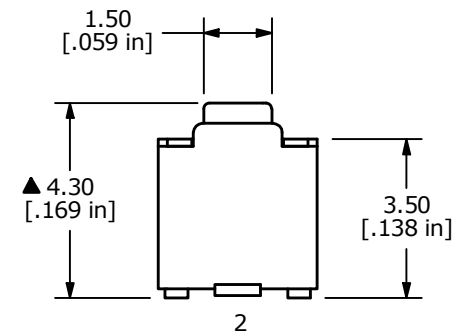
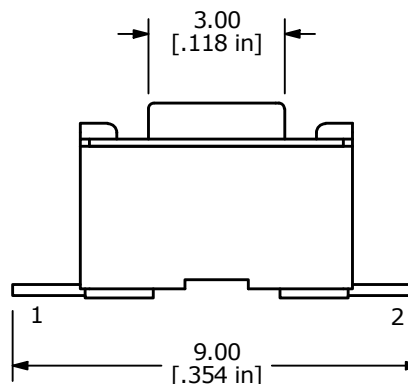


P.C.B LAYOUT



NOTES:

1. ALL DIMENSIONS IN MM [INCH]
2. GENERAL TOLERANCE: X.X= ± 0.4  
X.XX= ± 0.25
3. TERMINAL NUMBERS FOR REF. ONLY
4. RATING: 50mA @ 12VDC
- ▲ 5. OPERATING FORCE: 160±50gf
6. DIELECTRIC STRENGTH: 250VAC FOR 1 MINUTE.
7. TRAVEL: 0.25 +0.2/-0.1mm
8. CONTACT RESISTANCE: 100mΩ MAX. (INITIAL)
9. INSULATION RESISTANCE: 100MΩ MIN. @500VDC
10. MECHANICAL/ELECTRICAL LIFE: 50,000 CYCLES
11. BOUNCE: 10msec MAX.
- ▲ 12. CONTACT MATERIAL: SILVER
13. ▲ DENOTES CRITICAL PARAMETER
14. OPERATING TEMP: -25°C to 70°C
15. PACKAGING: TAPE/REEL - 1800 pcs



REV	ECO NO	DESCRIPTION	DATE	BY
B	ECO-101446	UPDATED PRINT	12/05/22	JS



OBJECT ID  
000000053

TITLE TS35M9-4.3-160-TR				
SCALE	DATE	DR	DWG	REV
6:1	9/12/2007	SC	06-TS35M943160TR	B

## Looking for pricing, stock, or lifecycle information?

Click below to explore more details on WIN SOURCE:

 [View TS35M9-4.3-160-TR on WIN SOURCE](#)

 [E-SWITCH](#) Information

## Optimize Your Supply Chain with WIN SOURCE Solutions

-  Global Sourcing Solution
-  Obsolete Management
-  Cost Control Management
-  Shortage Management
-  Alternative Solution
-  Excess Inventory Management