



**THE DATASHEET OF**  
**979-025-030R121**

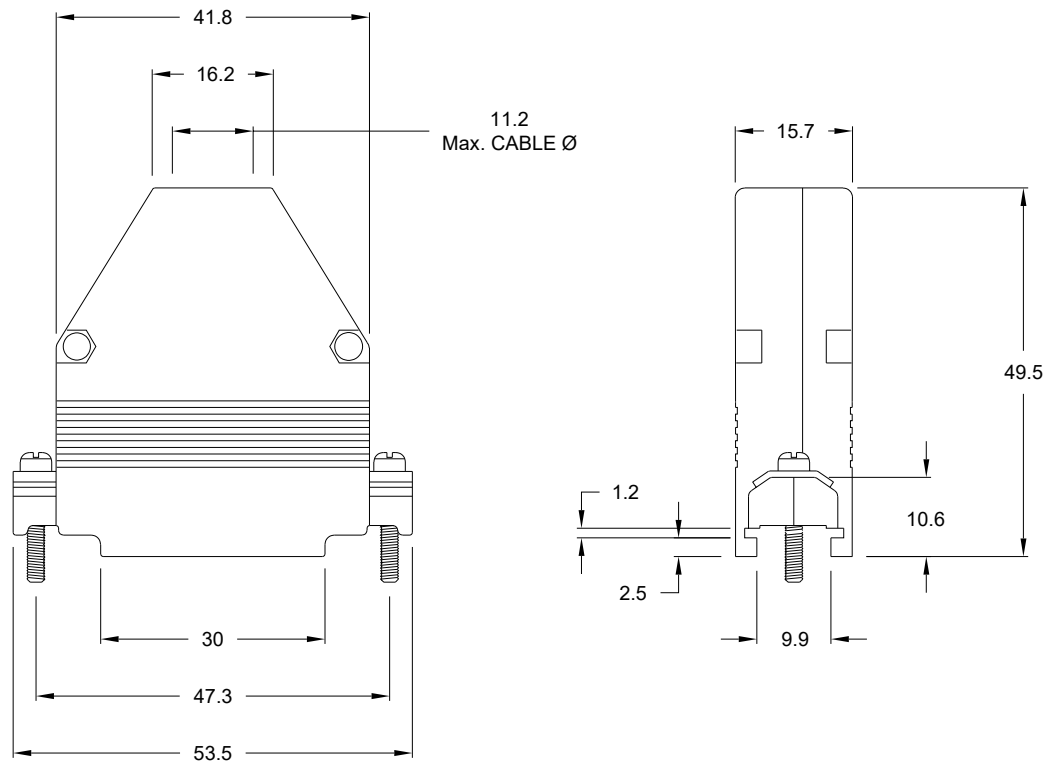


ALL TOLERANCES =  $\pm 0.3$   
UNLESS OTHERWISE INDICATED

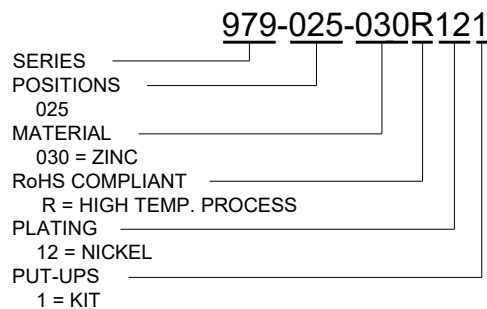
DESIGNED TO ACCOMMODATE STANDARD:  
D-SUB - Shell Size 3

**BACKSHELL KIT INCLUDES:**

- 2 - BACKSHELL HALVES
- 2 - MATING SCREWS (#4-40, RECOMMENDED TORQUE 60 in-oz)
- 2 - SADDLE WASHERS
- 2 - HOUSING SCREWS (#4-40, RECOMMENDED TORQUE 5.2 in-lbs)
- 2 - HOUSING NUTS (#4-40, RECOMMENDED TORQUE 5.2 in-lbs)
- 1 - GROMMET TREE - VARIOUS SIZES (NON-CONDUCTIVE GROMMETS)



MATERIAL: DIE-CAST ZINC ALLOY  
PLATING: NICKEL (5u" MIN PLATING THICKNESS)  
OPERATING TEMPERATURE: -45°C TO +120°C



**RoHS COMPLIANT**

UNITS = mm

**DO NOT SCALE FROM DRAWING**



THESE DRAWINGS AND SPECIFICATIONS ARE THE PROPERTY OF NorComp AND SHALL NOT BE REPRODUCED, COPIED OR USED AS THE BASIS FOR THE MANUFACTURE OR SALE OF APPARATUS WITHOUT WRITTEN PERMISSION.

DRAWN:

C. SMITH

DATE:

4/20/2010

**NorComp**

SCALE:

NTS

SHEET

OF

1

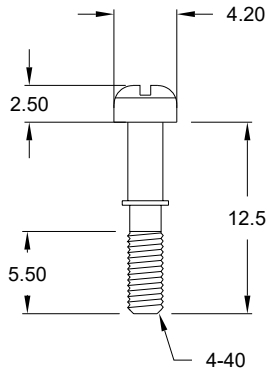
2

REV

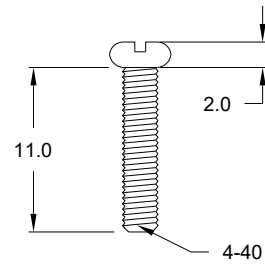
7

DWG NO.

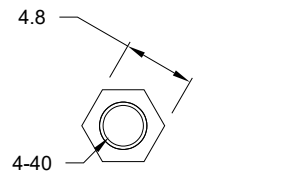
**979-025-030R121**



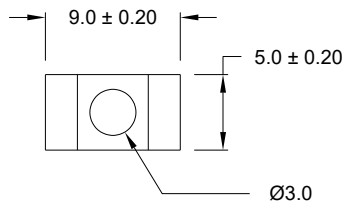
MATING SCREW



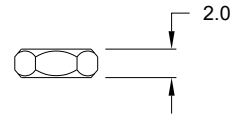
HOUSING SCREW



HOUSING NUT

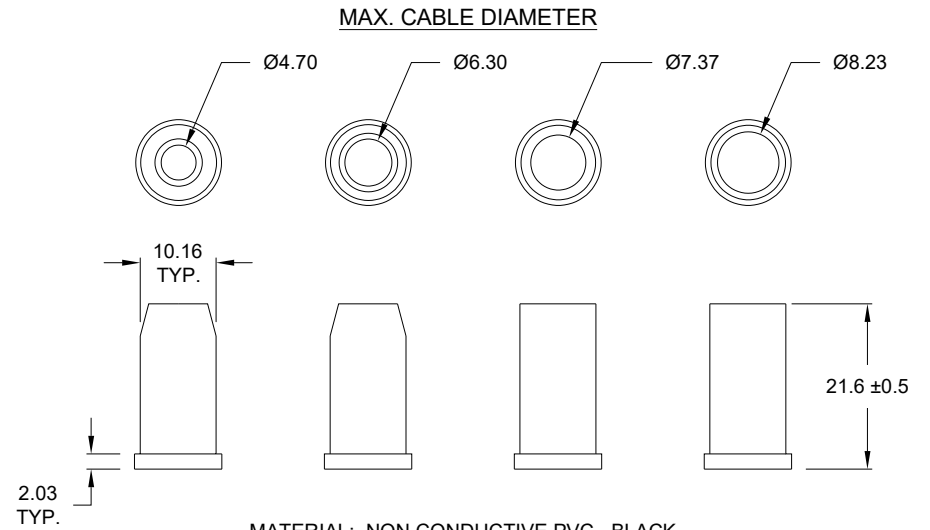


SADDLE WASHER



**ALL HARDWARE:**

MATERIAL = STEEL  
PLATING = NICKEL



MATERIAL: NON CONDUCTIVE PVC - BLACK  
P/N: 162-000-925R000

RoHS COMPLIANT



THESE DRAWINGS AND SPECIFICATIONS ARE THE PROPERTY OF NorComp AND SHALL NOT BE REPRODUCED, COPIED OR USED AS THE BASIS FOR THE MANUFACTURE OR SALE OF APPARATUS WITHOUT WRITTEN PERMISSION.

DRAWN:  
C. SMITH

DATE:  
4/20/2010

UNITS = mm

DO NOT SCALE FROM DRAWING

NorComp

SCALE:  
NTS

SHEET 2 OF 2

REV 7

DWG NO.

979-025-030R121

## Looking for pricing, stock, or lifecycle information?

Click below to explore more details on WIN SOURCE:

 [View 979-025-030R121 on WIN SOURCE](#)

 [NorComp Inc. Information](#)

## Optimize Your Supply Chain with WIN SOURCE Solutions

-  Global Sourcing Solution
-  Obsolete Management
-  Cost Control Management
-  Shortage Management
-  Alternative Solution
-  Excess Inventory Management